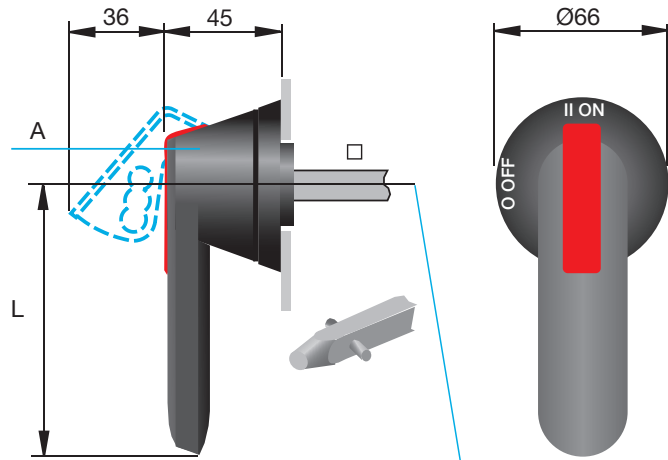


OH45-275E1 Installation instruction



A	L	□
OHB 45J5E_	45	5
OHB 45J6E_	45	6
OHB 45J10E_	45	10
OHB 65J5E_	65	5
OHB 65J6E_	65	6
OHB 65J8E_	65	8
OHB 65J10E_	65	10
OHB 80J6E_	80	6
OHB 80J8E_	80	8
OHB 80J10E_	80	10
OHB 95J10E_	95	10
OHB 95J12E_	95	12
OHB 125J10E_	125	10
OHB 125J12E_	125	12
OHB 145J12E_	145	12
OHB 175J12E_	175	12
OHB 275J12E_	275	12

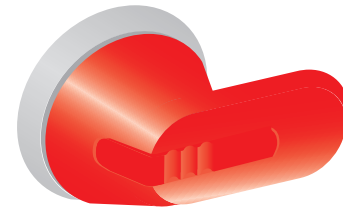
A00193A

J = IP65, UL/NEMA Type 1, 3R, 12
 H = IP54, L = UL/NEMA Type 4, 4X

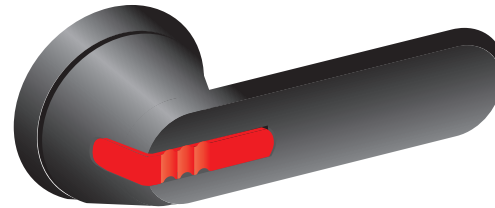
B = ■ Y = ■ G = ■

Protected by ABB Oy, Protection and Connection, Vaasa, Finland

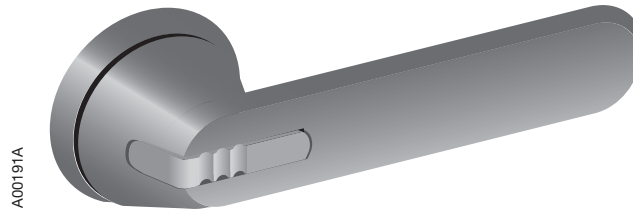
Label should be affixed to the rear mounting surface immediately adjacent the handle after installation.



OHY 45...275_ _



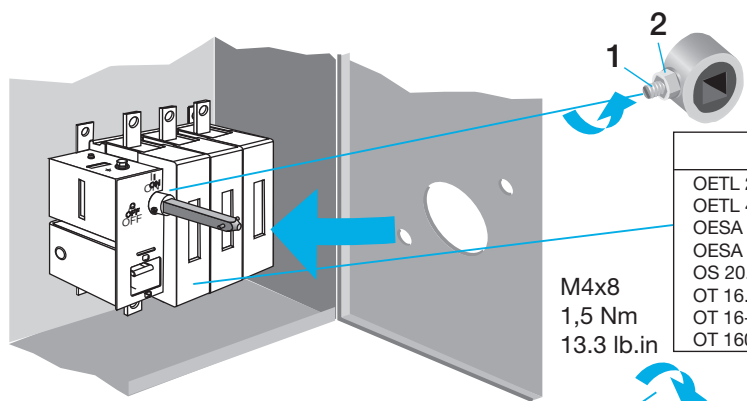
OHB 45...275_ _



OHG 45...275_ _

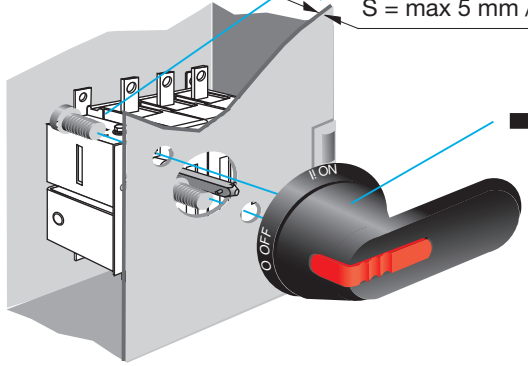
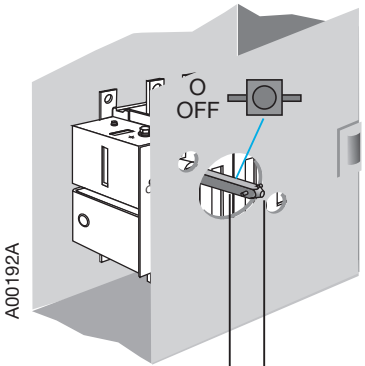
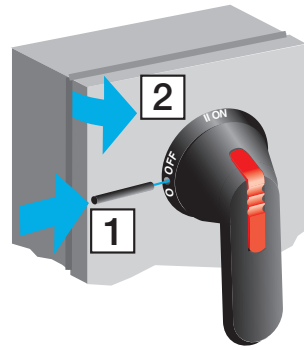
For more information please contact:

ABB Oy, Protection and Connection
 P.O. Box 622, FI-65101 Vaasa, Finland
new.abb.com/low-voltage



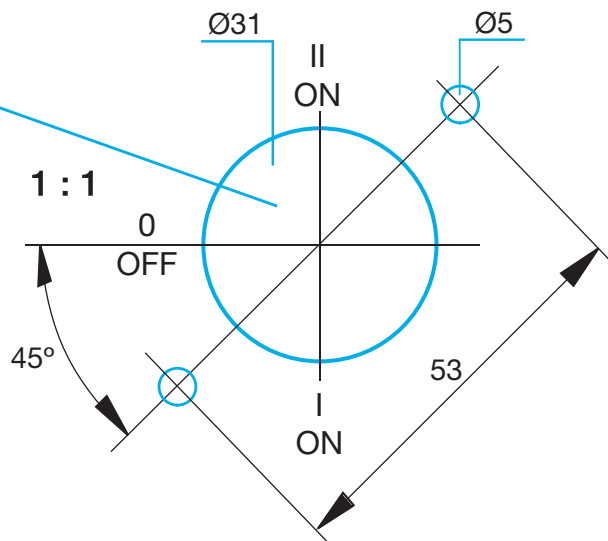
M4x8
1,5 Nm
13.3 lb.in

	1 Nm / lb.in	2 Nm / lb.in
OETL 200...315	1 / 8.9	1 / 8.9
OETL 400...1600	5 / 44.5	4 / 35.6
OESA 32...160	1 / 8.9	
OESA 200...800	5 / 44.5	4 / 35.6
OS 20...160	1,6-1,8 / 14-16	
OT 16...125	0,8 / 7.1	
OT 16-125E6-8	1,6-1,8 / 14-16	
OT 160	1 / 8.9	

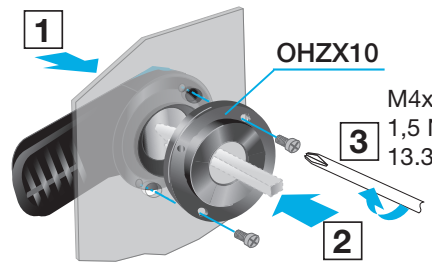
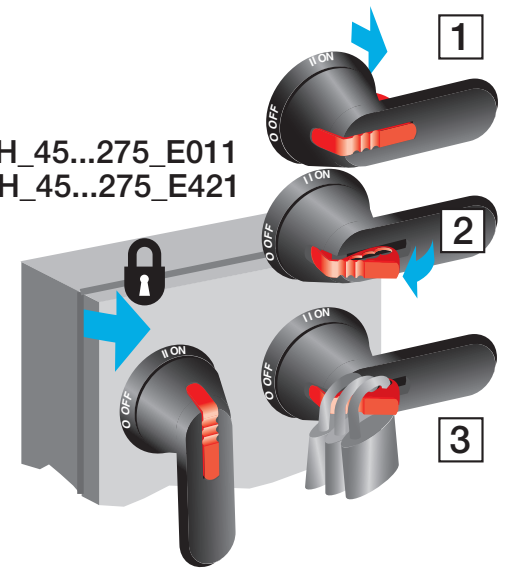


18,5 min / 22 max
0.73 in min / 0.87 in max
OHB: 275 min 21-24 mm / min 0.83-0.94 in

S = max 5 mm / 0.20 in

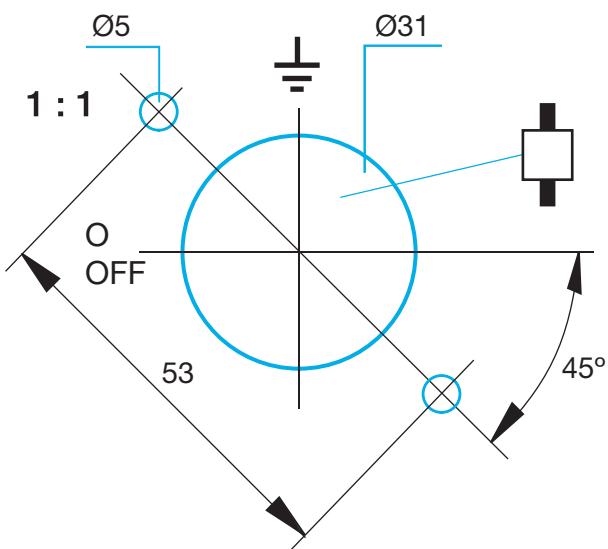


OH_45...275_E011
OH_45...275_E421



OHZX10

M4x8
1,5 Nm
13.3 lb.in



ø5...10 mm
ø0.20...0.39 in

OH_45...275_E311

OH_45...275_E011
OH_45...275_E311

OH_45...275_E421

