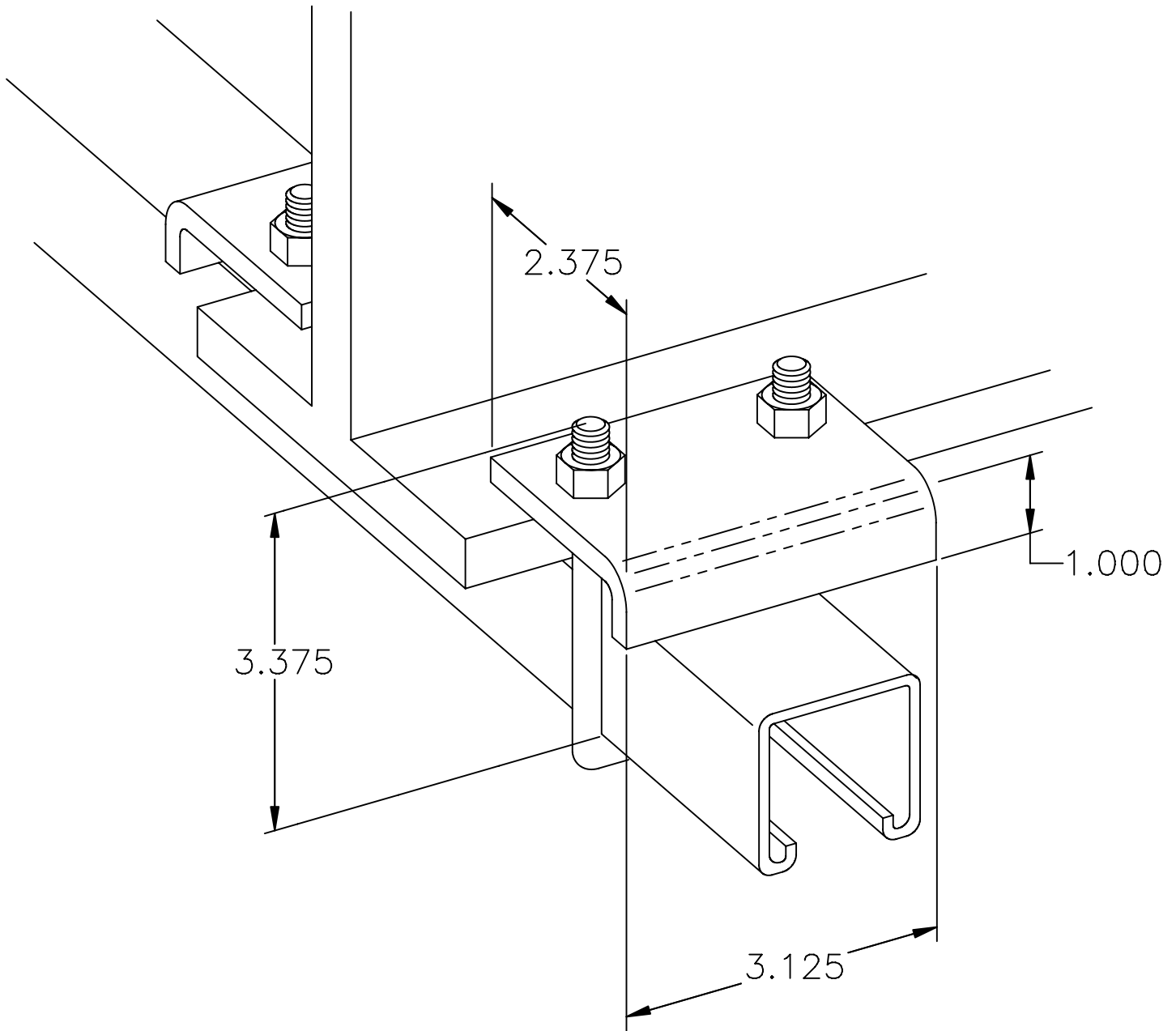


# B441-22 BEAM CLAMP



- \* RECOMMENDED TORQUE ON U-BOLT NUTS:  
150 IN-LBS.
- \* DESIGN LOAD 1200 LBS.  
WHEN SOLD IN PAIRS.
- \* CAN BE USED WITH ANY CHANNEL  
1.625 OR SHORTER IN HEIGHT.

**COOPER B-Line**

509 WEST MONROE STREET  
HIGHLAND, ILLINOIS 62249  
PHONE (618)-654-2184

TITLE: B441-22  
BEAM CLAMP

EQUIPMENT FURNISHED HAS BEEN FABRICATED  
IN ACCORDANCE WITH THIS DRAWING.

PRODUCT DWG. NO'S:

0512

SHEET OF  
DRAWN BY: TJC

DRAWING NO.  
S0512-1

DATE: 7/14/97