

60 A, 600 VAC/250 VDC, 50† – 400 hertz

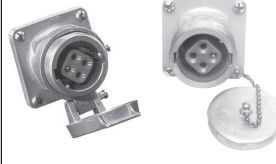
Ordering Information:



Receptacle Assembly



Receptacle



Receptacle Housing Only



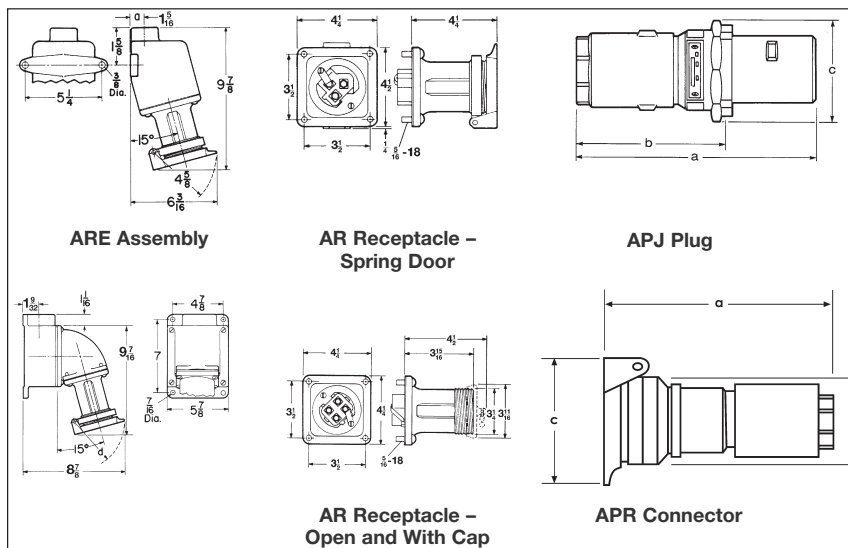
Mating Plug



Mating Connector

Description	With AJ Back Boxes and Angle Adapters			With ARE Back Boxes		Cable Dia.	Cat. #	Cat. #
	Hub Size (In.)	Spring Door Cat. #	Threaded Cap Only Cat. #	Spring Door Cat. #	Threaded Cap Only Cat. #			
Style 1								
2-wire, 2-pole }	1	AREA6213		ARE6213	AR621	0.50 to 1.45	APJ6275	APR6255
	1 1/4	AREA6214		ARE6214	AR627			
3-wire, 3-pole }	1	AREA6313		ARE6313	AR631	0.50 to 1.45	APJ6375	APR6355
	1 1/4	AREA6314		ARE6314	AR637			
4-wire, 4-pole }	1 1/4	AREA6414		ARE6414	AR641	0.50 to 1.45	APJ6475	APR6455
	1 1/2	AREA6415		ARE6415	AR647			
5-wire, 5-pole }	1 1/4		AREA6574			0.50 to 1.45	APJ6575	
	1 1/2		AREA6575		AR657			
Style 2								
2-wire, 3-pole }	1	AREA6323		ARE6323	AR632	0.50 to 1.45	APJ6385	APR6365
	1 1/4	AREA6324		ARE6324	AR638			
3-wire, 4-pole }	1 1/4	AREA6424		ARE6424	AR642	0.50 to 1.45	APJ6485	APR6465
	1 1/2	AREA6425		ARE6425	AR648			
4-wire, 5-pole }	1 1/4		AREA6584			0.75 to 1.45	APJ6585	APR6565
	1 1/2		AREA6585		AR658			

Dimensions (In Inches):



Config.	Plug			Connector		
	a	b	c	a	b	c
2P or 3P	8 1/2	5 3/4	3 5/8	6 1/2	3 7/8	2 15/16
4P	8 1/2	5 13/16	3 3/4	8 1/4	3 5/8	2 15/16
5P	9	6 7/16	4 7/16	8 1/4	3 7/8	3 1/4

†For use on systems less than 60 hertz the receptacles, plugs and connectors are for disconnect use only.

1P

AR Arktite® Circuit Breaking Round Flange Receptacle Housings for Panel Mounting

Weatherproof
For use with APJ and AP Plugs

1P

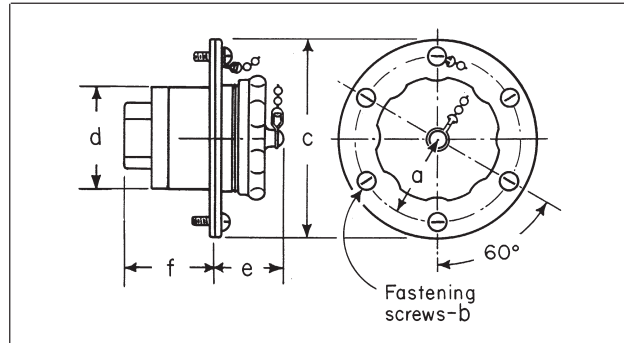
30/60/100/200 A, 600 VAC/250 VDC

Ordering Information:

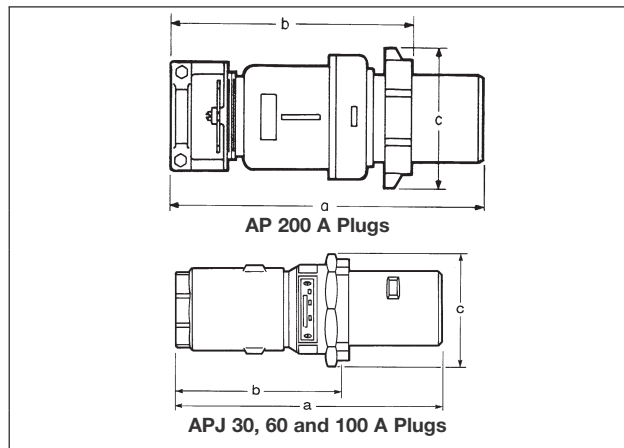
Amps	Style‡	Description	Recept. Cat. #	Cable Dia.	Plug Cat. #
30	1	3-wire, 3-pole*	AR6337	0.60 to 1.20	APJ3375
		4-wire, 4-pole*	AR6347	0.60 to 1.20	APJ3475
	2	3-wire, 4-pole*	AR6348	0.60 to 1.20	APJ3485
		4-wire, 4-pole*			
60	1	3-wire, 3-pole*	AR6637	0.75 to 1.45	APJ6375
		4-wire, 4-pole*	AR6647	0.75 to 1.45	APJ6475
	2	3-wire, 4-pole*	AR6648	0.75 to 1.45	APJ6485
		4-wire, 4-pole*			
100	1	3-wire, 3-pole*	AR61037	1.00 to 1.70	APJ10377
		4-wire, 4-pole*	AR61047	1.00 to 1.70	APJ10477
	2	3-wire, 4-pole*	AR61048	1.00 to 1.70	APJ10487
		4-wire, 4-pole*			
200	1	3-wire, 3-pole	AR62031§	.875 to 1.375	AP20355
		3-wire, 3-pole		1.875 to 2.500	AP20358
	2	2-wire, 3-pole	AR62032§	.875 to 1.375	AP20365
		3-wire, 3-pole		1.875 to 2.500	AP20368

‡Style 1 – Grounded through shell. Style 2 – Grounded through extra pole and shell.
§200 ampere size is provided with clamp cover.
*Pressure connectors are standard. Crimp/solder type terminators are optionally available for 2, 3 and 4-pole 30 ampere, 3 and 4-pole 60 and 100 ampere. For details, see table on page 1316. To specify, add the suffix "T" to the catalog number. For example: APJ3375-T (Plug) AR6337-T (Receptacle).

Dimensions (In Inches): AR Round Flange Receptacles



Description	a	b	c	d	e	f
30 amp. 2, 3, 4-pole	2	12-24	4 3/4	2 7/16	1 5/8	2 1/4
60 amp. 2, 3-pole	2	12-24	4 3/4	2 13/16	1 7/8	3 3/8
60 amp. 4-pole	2	12-24	4 3/4	3 1/8	1 7/8	3 3/8
100 amp. 2, 3-pole	2	12-24	4 3/4	3 1/16	1 7/8	4 9/16
100 amp. 4-pole	2	12-24	4 3/4	3 9/16	1 7/8	4 9/16
200 amp. 3-pole	3 3/8	3/8-16	7 3/4	4 3/16	2 7/8	5 1/8



Amps	No. Poles	a	b	c
30	2, 3 or 4	6 1/2	4 13/16	2 15/16
60	2 or 3	8 1/2	5 3/4	3 3/8
60	4	8 1/2	5 13/16	3 3/4
100	2 or 3	10 1/8	6 9/16	3 3/4
100	4	10 1/8	6 7/8	4 1/8
200	3	14 3/4	10 11/16	6 3/4

These dimensions are approximate and vary with cable size.

1P APQ Arktite® Circuit Breaking Motor Plugs

NEMA 4 Watertight

APJ Plugs, APR Cable Connector Receptacles 30/60/100 A, 250 VDC/600 VAC, 50† – 400 hertz

Applications:

- APQ motor plugs are used:
- On portable electric equipment

Features:

- Eliminates problem of storing and protecting a long length of portable cord and plug on portable device
- Connection to fixed receptacle used as power source is made with cord sets which may be hung on wall, out of the way
- Cord sets are made up using an APR receptacle at one end and an APJ plug at the other
- Cord sets may be used singly or connected together to provide longer lengths when needed
- With spare cord sets on hand, portable equipment may be kept in service while normal cord replacement is being made
- Where design of portable equipment permits, APQ motor plugs can be attached directly to a sheet metal panel or cabinet
- May be mounted on AR and AJ back boxes for conduit connection
- See typical installation diagram on next page

Certifications and Compliances:

- UL Standards: 1682
- CSA Standard: C22.2 No. 182.1

Standard Materials:

- Motor plugs: mounting plate – *Feraloy*®, iron alloy; protective sleeve – copper-free aluminum
- Plug and receptacle exteriors – copper-free aluminum
- Back boxes – copper-free aluminum
- Insulation – fiberglass-reinforced polyester
- Pressure and solder contacts – brass
- Crimp/solder contacts – leaded red brass

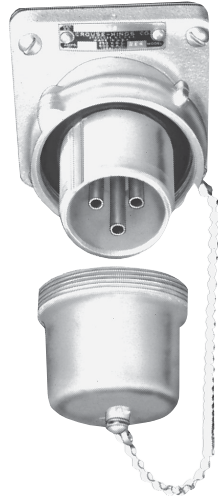
Standard Finishes:

- *Feraloy* – electrogalvanized and aluminum acrylic paint
- Copper-free aluminum – natural
- Brass – natural
- Fiberglass-reinforced polyester – natural (red)
- Leaded red brass – electro-tin-plate

Options:

Available with these assemblies are:

Description **Suffix**
 Special polarity **S4**
 See page 1315 for details.



APQ Motor Plugs
with square flange, gaskets, fastening ring, and exposed contacts.



APR Cable Connector Receptacles with cable grip, neoprene bushing, and protected contacts.



APJ Plugs with cable grip, neoprene bushing, exposed contacts, and fastening ring.

Ordering Information:

Amps	Style‡	Description	Plug Cat. #	Cable Dia.	Cable Connector Receptacle Cat. #	Motor Plug Cat. #
30	1	2-wire,* 2-pole	APJ3275	0.39 to 1.20	APR3255	APQ327
		3-wire,* 3-pole	APJ3375	0.39 to 1.20	APR3355	APQ337
		4-wire,* 4-pole	APJ3475	0.39 to 1.20	APR3455	APQ347
	2	2-wire,* 3-pole	APJ3385	0.39 to 1.20	APR3365	APQ338
		3-wire,* 4-pole	APJ3485	0.39 to 1.20	APR3465	APQ348
		2-wire,* 2-pole	APJ6275	0.50 to 1.45	APR6255	APQ627
60	1	3-wire,* 3-pole	APJ6375	0.50 to 1.45	APR6355	APQ637
		4-wire,* 4-pole	APJ6475	0.50 to 1.45	APR6455	APQ647
		2-wire,* 3-pole	APJ6385	0.50 to 1.45	APR6365	APQ638
	2	3-wire,* 4-pole	APJ6485	0.50 to 1.45	APR6465	APQ648
		2-wire,* 2-pole	APJ10277	0.875 to 1.70	APR10257	APQ1027
		3-wire,* 3-pole	APJ10377	0.875 to 1.70	APR10357	APQ1037
100	1	4-wire,* 4-pole	APJ10477	0.875 to 1.70	APR10457	APQ1047
		2-wire,* 3-pole	APJ10387	0.875 to 1.70	APR10367	APQ1038
	2	3-wire,* 4-pole	APJ10487	0.875 to 1.70	APR10467	APQ1048

‡Style 1 – Grounded through shell. Style 2 – Grounded through extra pole and shell.

*Pressure connectors are standard. Crimp/solder type terminators are optionally available for 2, 3 and 4-pole 30 ampere, 3 and 4-pole 60 and 100 ampere. For details, see page 1316. To specify, add the suffix "T" to the catalog number. For example: APJ3375-T (Plug) AR6337-T (Receptacle).

†For use on systems less than 60 hertz the receptacles, plugs and connectors are for disconnect use only.