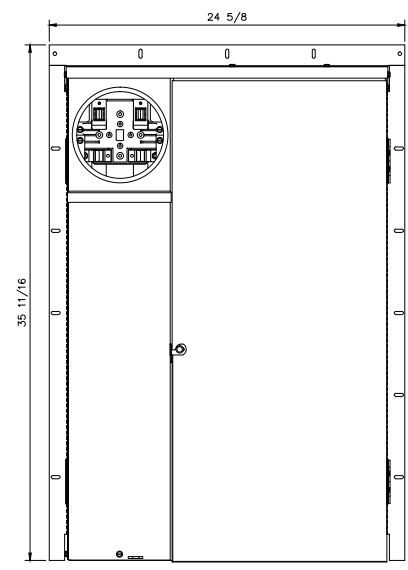
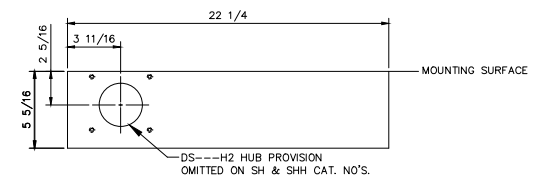
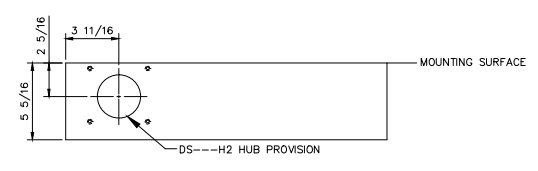


FLUSH VERSIONS



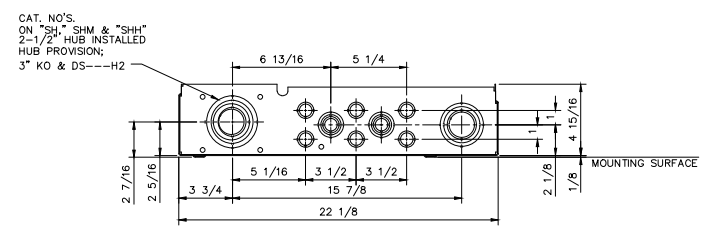
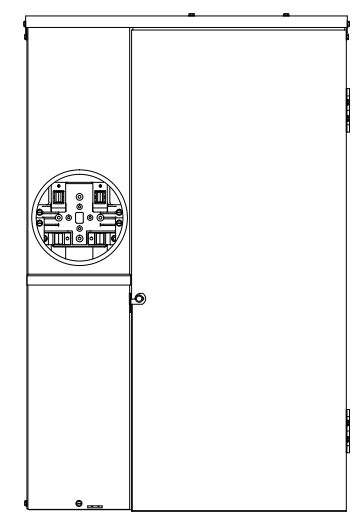
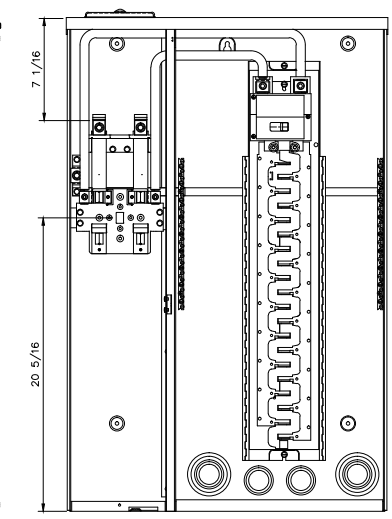
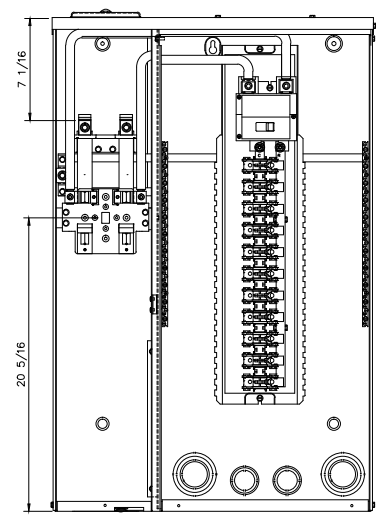
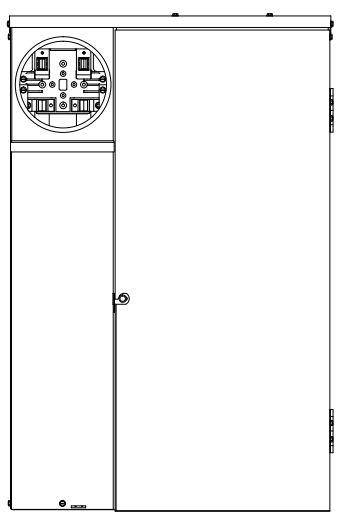
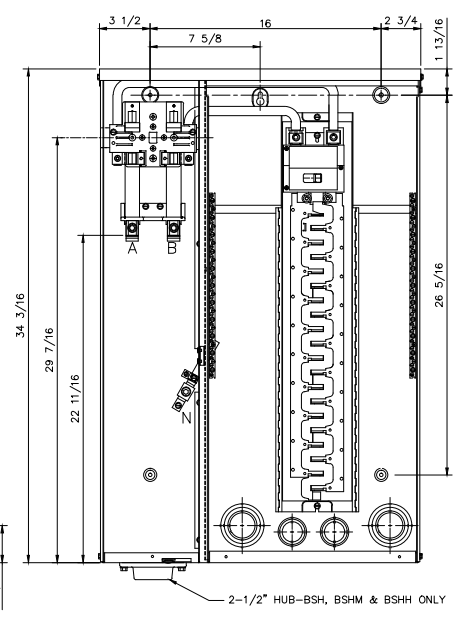
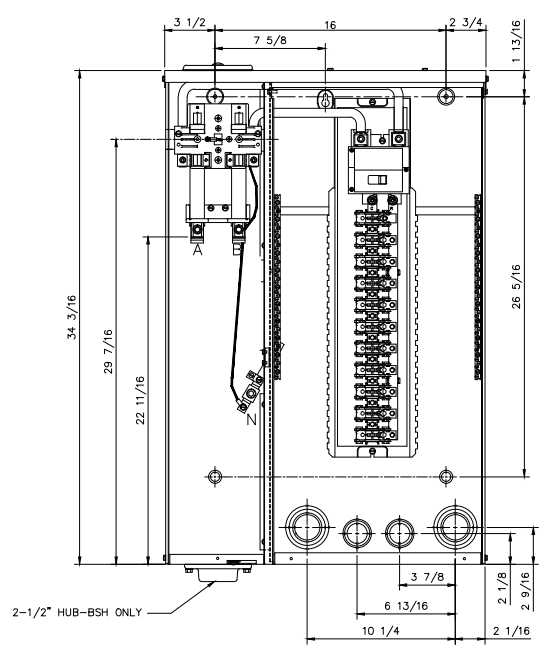
FLUSH VERSIONS

TOP ENDWALL (SEMI FLUSH)	
1-1/4", 1-1/2", 2", 2-1/2"	2
1/2", 3/4"	4
KNOCKOUT SIZE	QTY

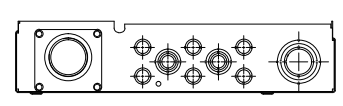
BOTTOM ENDWALL	
1/2", 3/4"	6
1/2", 3/4", 1", 1-1/4"	2
1", 1-1/4", 1-1/2", 2", 2-1/2"	1
1, 1-1/4", 1-1/2", 2", 2-1/2", 3"	1
DS---H2 SERIES HUB PROVISION	1
KNOCKOUT SIZE	QTY.

WIRE CONNECTORS		
LINE A, B, N	#6-250 MCM AL-CU	3
NEUTRAL BAR	#14-#6 AWG CU	60
	#12-#6 AWG AL.	
NEUTRAL BAR	#12-1/0 AWG AL.	22
	#14-1/0 AWG CU	
GROUND	#14-2 AWG	1
LOCATION	WIRE RANGE	QTY.

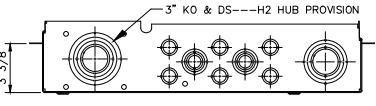


CMBE4242B200BTS  
CMB4242B200BTS

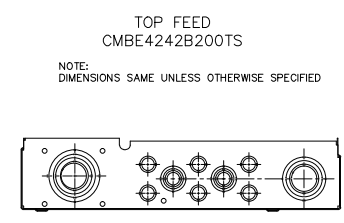
NOTE: DIMENSIONS SHOWN ARE TYPICAL FOR EACH END VIEW.



MBE4040B200BSH  
MBE4040B200BSHM  
MBE4040B200BSHH  
MBE4040B200BTS (no hub)



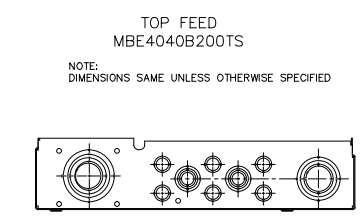
FLUSH VERSIONS  
MBE4040B200BTF



TOP FEED  
CMBE4242B200TS

NOTE: DIMENSIONS SAME UNLESS OTHERWISE SPECIFIED

CMBE4242B200TS



TOP FEED  
MBE4040B200TS

NOTE: DIMENSIONS SAME UNLESS OTHERWISE SPECIFIED

MBE4040B200TS

FILE DESCRIPTION METER BREAKER PHOENIX STYLE	DRAWING NUMBER 96-5440	DATE 2013/12/16
THE INFORMATION ON THIS DRAWING IS DISCLOSED IN CONFIDENCE AND IS NOT TO BE REPRODUCED, USED OR DISCLOSED, EXCEPT FOR THE PURPOSE WHICH FURNISHED.	 AT&T Powering Business Worldwide © 2003 Eaton Corporation. All Rights Reserved.	REVISION J. NOVA SCALE N/A SHEET 1 OF 1