

Bells

Vibrating

340 and 435 Series

Accessories

Description	Cat. No.
Grid Kit for 4" Bells	340-4-GRID
Outdoor Back Box for 4" AC Bells	348
Outdoor Back Box for 6" Bells or 10" AC Bells	349
Outdoor Back Box for DC Bells	449
Flush Mount Grille for 4" Bells	511-A¹
Flush Mount Grille for 6" Bells	512-A²
Flush Mount Grille for 10" Bells	513-A³
Wall Box for 4" Bells	511-1
Wall Box for 6" Bells	512-1
Wall Box for 10" Bells	513-1



¹511-A must be used with 511-1.
²512-A must be used with 512-1.
³513-A must be used with 513-1.

Signal Input Load Characteristics

These devices may be operated by PLCs with output characteristics that match the input load requirements of the signal.

Cat. No.	Operating Voltage ⁴	Max. Off State Leakage Current (A)	Continuous On Current (A)	Surge (Inrush/Duration) Amps/Milliseconds
340-4N5	120V AC	0.025	0.062	0.095 / 4
340-6N5	120V AC	0.025	0.070	0.15 / 4
340-10N5	120V AC	0.025	0.070	0.15 / 4
435-4G1	24V DC	0.005	0.062	1.06 / 0.0001
435-6G1	24V DC	0.005	0.062	1.14 / 0.000125
435-10G1	24V DC	0.005	0.062	1.14 / 0.000125

⁴AC voltage frequency is 60 Hz.

Weights and Dimensions

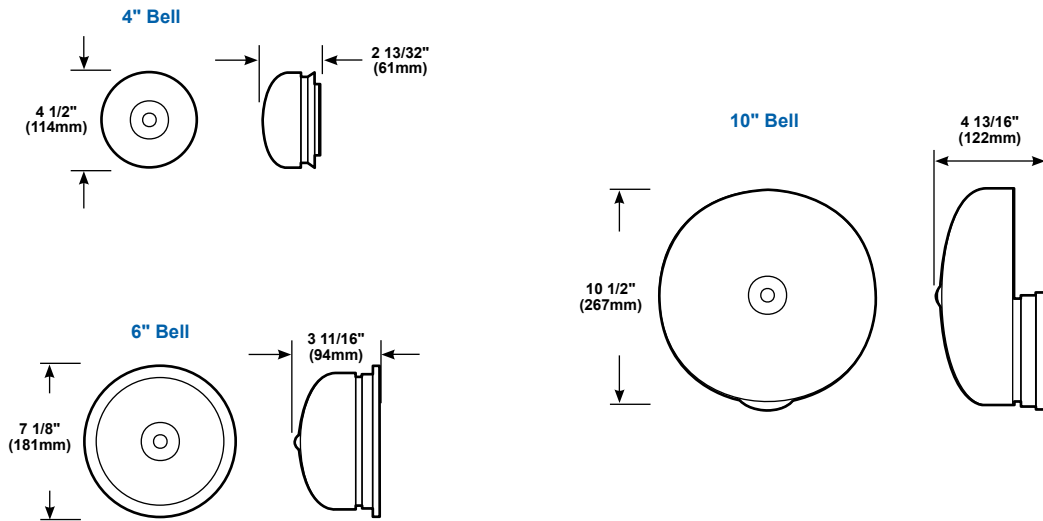
Cat. No. ⁵	Approx. Net Weight (lb.)	Approx. Shipping Weight (lb.)
340-4	1.64	1.80
340-6	4.20	4.40
340-10	6.45	6.98
435-4	2.40	2.60
435-6	3.00	3.20
435-8	4.80	5.00
435-10	6.20	6.40

⁵Catalog number represents gong size and voltage range category.

Bells Vibrating 340 and 435 Series

Weights and Dimensions		Continued					
Cat. No. ¹	Approx. Net Weight (lb.)	Approx. Shipping Weight (lb.)	Dimensions				
			Diameter	Depth	Width	Height	Length
340-4-GRID	0.21	0.50	5 5/8" (143mm)	3 1/2" (89mm)	—	—	—
348	0.92	0.96	5 1/8" (130mm)	1 5/8" (41mm)	—	—	—
349	1.30	1.56	6 1/2" (165mm)	1 5/8" (41mm)	—	—	—
449	1.13	1.18	—	2" (51mm)	4 9/16" (115mm)	4 1/2" (114mm)	—
511-A	2.00	2.50	—	—	—	10" (254mm)	10" (254mm)
512-A	2.00	2.50	—	—	—	12" (305mm)	12" (305mm)
513-A	3.00	3.50	—	—	—	16" (406mm)	16" (406mm)
511-1	4.00	5.00	—	3 7/8" (98mm)	—	8" (203mm)	8" (203mm)
512-1	5.00	6.00	—	4 1/4" (108mm)	—	10" (254mm)	10" (254mm)
513-1	5.00	6.00	—	5" (127mm)	—	14" (357mm)	14" (357mm)

¹Catalog number represents gong size and voltage range category.



340 Series

NOTE: Mounts directly on surface or fits any single-gang box, 3 1/4" (83mm), 3 1/2" (89mm), or 4" (102mm) octagon box, or any plaster cover with mounting holes on 2 3/4" (70mm) centers. 6" and 10" bells also mount on 4" (102mm) square boxes.

Horns and Sirens

Electronic

D2 Class



Edwards D2 Class devices are low current, high performance, high decibel audible signals which may be coded from an external source or used as a continuous alarm. They are designed to function as either a horn or siren by setting an internal, tamper proof switch.

The 5520D is primarily intended for use in applications requiring electrical supervision of signaling circuit field wiring. These signals may also be used for unsupervised signaling applications.

Features and Specifications

- 124dB audible signal at 1m (114dB @ 10ft.)
- Suitable for outdoor applications using 349 Back Box
- Switchable horn or siren or horn models
- Easy mounting plate speeds installation
- Diode polarized for supervised circuits (**5520D**)
- Horn frequency of 1.1 KHz
- Siren frequency rises and falls from 600 to 1300 Hz every 3 seconds
- Speaker swivels 180° horizontally and 90° vertically

Ordering Information

Description	Cat. No.	Operating Voltage	Current	VA	dB at 1m/10ft.
Horn and Siren ¹	5520-AS	12V AC	1.3 A	15.6	124/114 (Horn) /112/102 (Siren)
		12V DC	0.7 A	8.4	124/114 (Horn) /112/102 (Siren)
	5520-AQ	24V AC	0.85 A	20.4	124/114 (Horn) /112/102 (Siren)
		24V DC	0.35 A	8.4	124/114 (Horn) /112/102 (Siren)
	5520-N5	120V AC	0.35 A	42	124/114 (Horn) /112/102 (Siren)
Horn and Siren, Diode Polarized ²	5520D-N5	125V DC	0.1 A	12.5	124/114 (Horn) /112/102 (Siren)
		240V AC	0.1 A	24.0	124/114 (Horn) /112/102 (Siren)
Horn Only	5521-S1	120V AC	0.35	42.0	124/114 (Horn)
		20-24V DC	0.35	8.4	112/102 (Siren)
		250V DC	0.065 A	16.3	124/114

¹AC voltage frequency is 60 Hz.

²AC voltage frequency is 50/60 Hz.

³Uses separately mounted 598Y transformer (included).

Accessories

Description	Cat. No.
Back Box	349



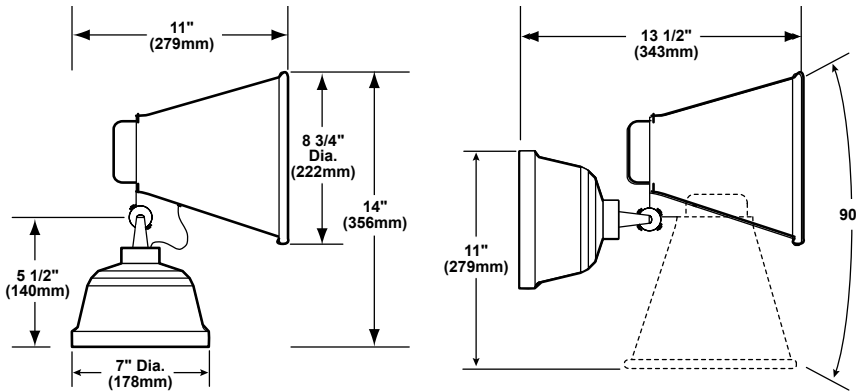
Horns and Sirens

Electronic

D2 Class

Weights and Dimensions

Cat. No.	Approx. Net Weight (lb.)	Approx. Shipping Weight (lb.)
5520-AS	7.90	10.72
5520-AQ	7.90	10.72
5520-N5	7.90	10.72
5520-P1	7.90	10.72
5520-R5	7.90 <td 10.72	
5520D-N5	7.90	10.72
5520D-AW	7.90	10.72
5521-S1	7.80	12.30
349	1.30	1.56



Mounts on any single gang, 3 1/4" (83mm),
3 1/2" (89mm), 4" (102mm) octagon or 4" (102mm) square box.