



60 AMP POWERTITE™ SERIES PIN AND SLEEVE PLUGS, CONNECTORS AND RECEPTACLES

SUITABLE APPLICATIONS

- Designed to supply power to portable or fixed electrical equipment such as motor generator units, welders, pumps, compressors, cellular relay stations, and similar apparatus.
- Ideal for use on shipping docks, ports, and other “ship to shore” applications.
- Suitable for use in locations where a weatherproof enclosure is required.
- Rough usage construction.

FEATURES

- Pin and sleeve design: solid brass pressure wire terminal contacts with beryllium copper springs
 - Energized contacts deeply recessed to reduce danger of accidental touching, minimize possibility of exposed arcs. Insulator quenches arcing, and is resistant to abnormal heat and to fire.
 - Plug mechanical cable clamps provide strain relief conductor connections, allow easy cable replacement.
 - Pressure wire terminals allow cable to be readily replaced when necessary. Terminal screws grip conductors firmly. Spring contacts provide constant pressure.
- Available in two grounding styles:
 - Style 1 (shell only):
 - Plug—Equipment grounding conductor is wired directly to solderless lug which is connected to the plug housing with a pressure connector. All terminals are “current carrying”.
 - Receptacle—Two detent spring clips engage the grounded plug housing on plug insertion—grounded plug shell makes contact with receptacle ground spring before line and load poles are engaged. Grounding path is maintained until after current-carrying contacts disengage. All terminals are “current carrying”.

- Style 2 (shell and extra pole):
 - Plug—Equipment grounding conductor is not only connected to the solderless lug in the plug housing, but also to an extra grounding pole. Grounding pole has copper alloy grounding jumper strap that connects to plug housing.
 - Receptacle—Two detent spring clips engage grounded plug housing on plug insertion. Jumper from extra grounding pole is electrically connected to a screw on receptacle housing. Longer grounding pole “makes first and breaks last”.
- Neoprene bushing compressed by cable collar prevents entrance of water. Bushing is highly resistant to hydrocarbon deterioration and is self-extinguishing.
- Locking screw and slot prevents plug cable collar from “backing off”.
- Contacts exert constant pressure along entire contact surface and provide electrical continuity.
- Ambient temperature range of -25°C to +40°C (-13°F to +104°F).
- Insulating blocks provide greatest dielectric and mechanical strength and lowest arc tracking.
- Positive polarization: only plugs and receptacles of same style, number of poles and ampere rating can be used together.
- Circuit breaking: any arcing created as line and load terminals disengage is safely confined deep within terminal cavities. Plugs may be withdrawn in an emergency under full rated loads without separate disconnect switches.
- 60 Amp PowerTite plugs also suitable for classified locations when used with Appleton EBR, EBRH, JBR, MD2SR, or DBR explosionproof interlocking receptacles.
- Controlled length contacts ensure that ground makes first and breaks last for added safety.

STANDARD MATERIALS

- Plug, receptacle, connector and mounting box housings: copperfree (4/10 of 1% max.) aluminum
- Insulating blocks: glass filled polyester

STANDARD FINISHES

- Aluminum plug, receptacle, connector and mounting box housings: epoxy powder coat
- Insulating blocks and contacts: natural finish

OPTIONS

- Special Polarization add suffix **-P4** to Catalog Number.
- Reverse Service (Generator Application) add suffix **-RS** to Catalog Number.

ACCESSORIES/REPLACEMENT PARTS

- Environmental Plug Caps
- Plug and Receptacle Interiors
- ACP Plug Clamping Rings
- Spring Door and Receptacle Screw Covers
- Bushing Bags for Plugs and Connectors
- Receptacle Ground Lug Kits
(See Replacement Parts page in Appleton Master Catalog)

NEC/CEC RATINGS

- UL Standard: UL 1682, UL 1686, UL 50E
- UL Listed: E145916, E145917
- CSA Standard: C22.2 No. 182.1
- CSA Certified: 065179
- NEMA 4X
- NEMA Configuration: FB11

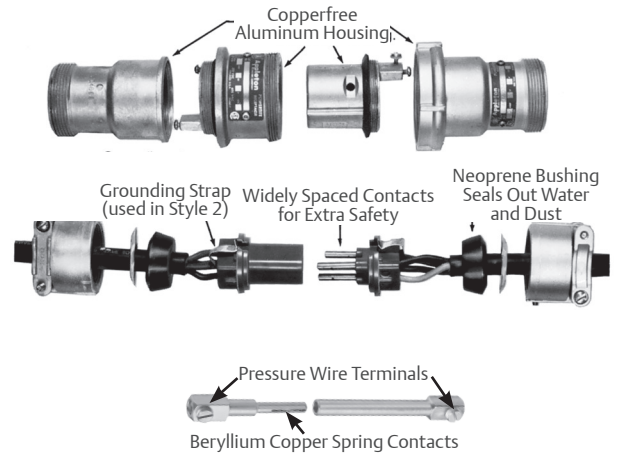
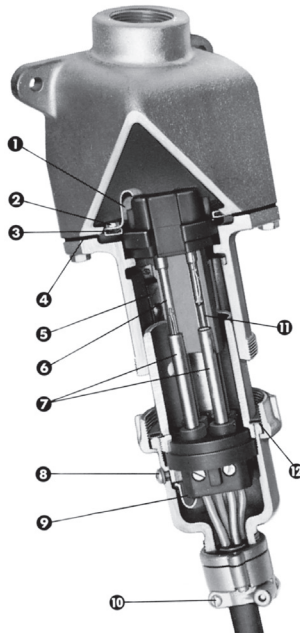
APPLETON™

For product information:
www.masteringled.com
1.800.621.1506



CONSIDER IT SOLVED™

1. Grounding strap in Style 2 receptacle from extra pole to receptacle housing.
2. Screw locks receptacle housing and interior into an assembly and permits easy field conversion to reverse service for 30, 60, 100, 150, and 200 Amp.
3. Receptacle interior retaining washers.
4. Raintight mounting box gasket.
5. Grounding detent springs in Style 1 and Style 2.
6. Longer ground terminal in Style 2 receptacle "makes first, breaks last."
7. Floating-type plug terminal self-aligns to receptacle contacts.
8. Screw locks plug housing and interior into an assembly; also permits easy field conversion to reverse service (30, 60, 100, and 150 Amp).
9. Grounding strap in Style 2 plug from extra pole to plug housing.
10. Cable grip assembly.
11. Arc snuffing chamber.
12. Plug with clamping ring has neoprene gasket. Ring threads onto screw cap receptacle to provide NEMA 4X assembly when properly tightened.



HORSEPOWER RATINGS FOR EMERGENCY DISCONNECT UNDER LOAD

- Plug may be withdrawn in an emergency if within these maximum HP ratings. Not for normal starting and stopping.

Phase Motor	Wire/Pole	Motor Horsepower			
		120 Vac	240 Vac	480 Vac	600 Vac
1-Phase	2W, 2P or 2W, 3P	3HP	10HP	20HP	20HP
3-Phase	3W, 3P; 3W, 4P; or 4W, 4P	7-1/2HP	15HP	30HP	30HP

SELECTION CHART

Grounding Style	Wire/Pole	Hub Size (Inches)	Receptacle with AEE Mounting Box ①	Receptacle with AJA Mounting Box ①	Receptacle Only ③	Metallic Clamping Ring Plug ②④	Connector Body Only	Cable Diameter (Inches)
Style 1 (Shell Only)	2W, 2P	1	ADRE6022-100	ADJA6022-100	ADR6022	ACP6022BC	ARC1022BC	0.500 to 1.250
		1-1/4	ADRE6022-125	ADJA6022-125				
	3W, 3P	1	ADRE6033-100	ADJA6033-100	ADR6033	ACP6033BC	ARC1033BC	
		1-1/4	ADRE6033-125	ADJA6033-125				
	4W, 4P	1-1/4	ADRE6044-125	ADJA6044-125	ADR6044	ACP6044BC	ARC1044BC	
		1-1/2	ADRE6044-150	ADJA6044-150				
Style 2 (Shell and Extra Pole)	2W, 3P	1	ADRE6023-100	ADJA6023-100	ADR6023	ACP6023BC	ARC1023BC	
		1-1/4	ADRE6023-125	ADJA6023-125				
	3W, 4P	1-1/4	ADRE6034-125	ADJA6034-125	ADR6034	ACP6034BC	ARC1034BC	
		1-1/2	ADRE6034-150	ADJA6034-150				

Receptacles are provided with spring door and screw cover.

For Reverse Service, add suffix **-RS** to Catalog Number.

For Special Polarization, add suffix **-P4** to Catalog Number.

① For additional mounting boxes, see Aluminum Mounting Boxes in Appleton Master Catalog.

② Plug and receptacle combination is NEMA 4X rated when clamping ring is fully tightened on receptacle.

③ Receptacle is NEMA 4X rated when screw cover is fully engaged when the receptacle is not in use.

④ Plug and connector body combination is NEMA 4X rated when clamping ring is fully tightened on connector body.