

- ▶ Models A4, A6 and A10
Models 500 and 600

Vibratone® Bells



Federal Signal's Vibratone® heavy duty bell allows for greater flexibility and selection by utilizing the modular approach to combine gongs and mechanisms.

Three gong sizes are available: Model A4 (4" dia.), Model A6 (6" dia.), and Model A10 (10" dia.). Each size larger gong produces a different tone and a higher dBa output. Vibrating bells produce a continuous ringing sound when voltage is applied.

Two vibrating mechanisms available: Model 500 (available in 24VAC, 120VAC and 240VAC) and Model 600 (available in 12VDC, 24VDC and 125VDC).

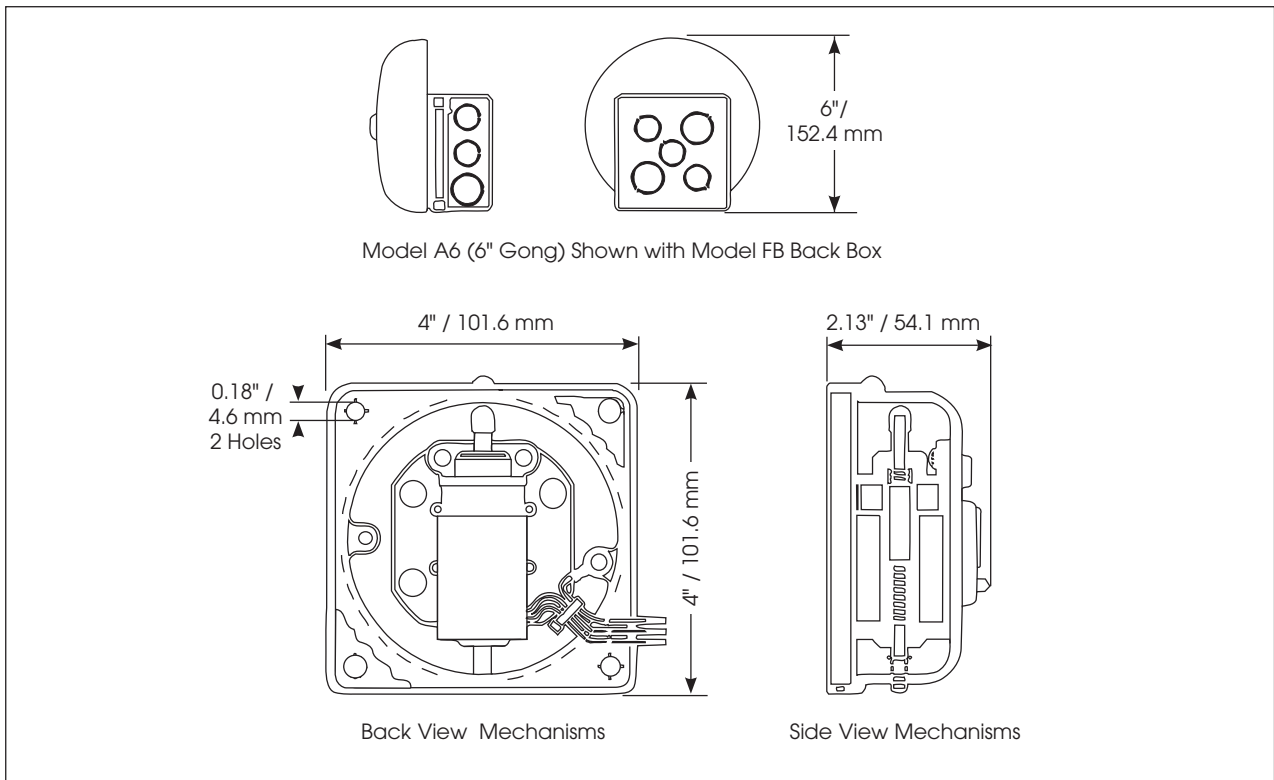
Federal Signal's Vibratone® bells can be used in any industrial application, whether to signal danger or for start and dismissal. A variety of mounting accessories will accommodate almost any environment.

FEATURES

- Vibrating mechanism
- Three gong sizes – four, six, or ten-inch
- Decibel output range dependent on gong: 98-102 dBa @ 10' (108-112 dBa @ 1m)
- Optional weatherproof backbox provides Type 3R enclosure
- UL and cUL Listed, CSA Certified and FM Approved

MODEL	VOLTAGE	OPERATING CURRENT	DECIBELS	
			10'	1M
GONGS				
A4	–	–	98	108
A6	–	–	100	110
A10	–	–	102	112
VIBRATING MECHANISMS				
500-024-1	24VAC	0.4 amps	–	–
500-120-1	120VAC	0.08 amps	–	–
500-240-1	240VAC	0.04 amps	–	–
600-012-1	12VDC	0.8 amps	–	–
600-024-1	24VDC	0.4 amps	–	–
600-125-1	125VDC	0.08 amps	–	–

Vibratone® Bells (A4/A6/A10/500/600)



SPECIFICATIONS

Model	Net Weight	Shipping Weight	Height	Width	Depth
500	1.0 lbs	1.1 lbs	4.0"	4.0"	2.125"
	0.45 kg	0.4 kg	101.6 mm	101.6 mm	54.0 mm
600	1.0 lbs	1.1 lbs	4.0"	4.0"	2.125"
	0.45 kg	0.4 kg	101.6 mm	101.6 mm	54.0 mm
A4	0.5 lbs	0.7 lbs	4.0"	4.0"	1.25"
	0.23 kg	0.32 kg	101.6 mm	101.6 mm	31.8 mm
A6	1.0 lbs	1.2 lbs	6.0"	6.0"	1.75"
	0.45 kg	0.54 kg	152.4 mm	152.4 mm	44.5 mm
A10	3.5 lbs	4.0 lbs	10.0"	10.0"	2.25"
	1.59 kg	1.8 kg	254.0 mm	254.0 mm	57.2 mm

OPTIONAL ACCESSORIES

Description	Part Number
Deep back box for flush mounting A4 gong with any mechanism	FB
Extra deep back box for flush mounting A4 gong with any mechanism	FBL
Grille for flush mounting A4 gong and any mechanism in FB back box	FG
Surface mounting plate for plastered-in 4" boxes	SF
Weatherproof back box	WB

HOW TO ORDER

Specify Gong Models:

- A4** – Gong, 4"
- A6** – Gong, 6"
- A10** – Gong, 10"

Specify accessories from list above

Specify Mechanism model number and voltage:

500	-	024	-	1		600	-	250	-	1
TYPE 500		VOLTAGE				TYPE 600		VOLTAGE		
		024 (24VAC)						024 (24VDC)		
		120 (120VAC)						125 (125VDC)		
		240 (240VAC)						250 (250VDC)		