



► Model 225X

# Electrarray® Hazardous Location Rotating Warning Light



The Federal Signal Electrarray® Model 225X is a compact, economical rotating warning light designed for a variety of industrial applications. This innovative dome design allows quick and easy access for inspection and relamping.

Model 225X features a silicone rubber gasket that provides a water-resistant seal between the dome and the black poly-coated base. The injection molded reflector rotates around a 25 watt lamp producing 90 flashes per minute.

Federal Signal's affordable Electrarray rotating warning light is specifically designed for use in hazardous locations or where corrosive materials are present.

## FEATURES

- Available in 120VAC
- Five dome colors: Amber, Blue, Clear, Green and Red
- 25 watt incandescent lamp
- 1/2-inch NPT pipe mount
- Indoor/outdoor use
- UL and cUL Listed for Class I, Division 2, Group A, B, C and D; Class II, Division 2, Groups F and G; and Class III
- Type 4X, IP66 enclosure

MODEL	VOLTAGE	OPERATING CURRENT	FLASH RATE/ MINUTE	CANDELA	MOUNT
<b>225X-120 *</b>	120VAC 50/60Hz	0.220 amps	90	1,000	1/2" NPT Pipe

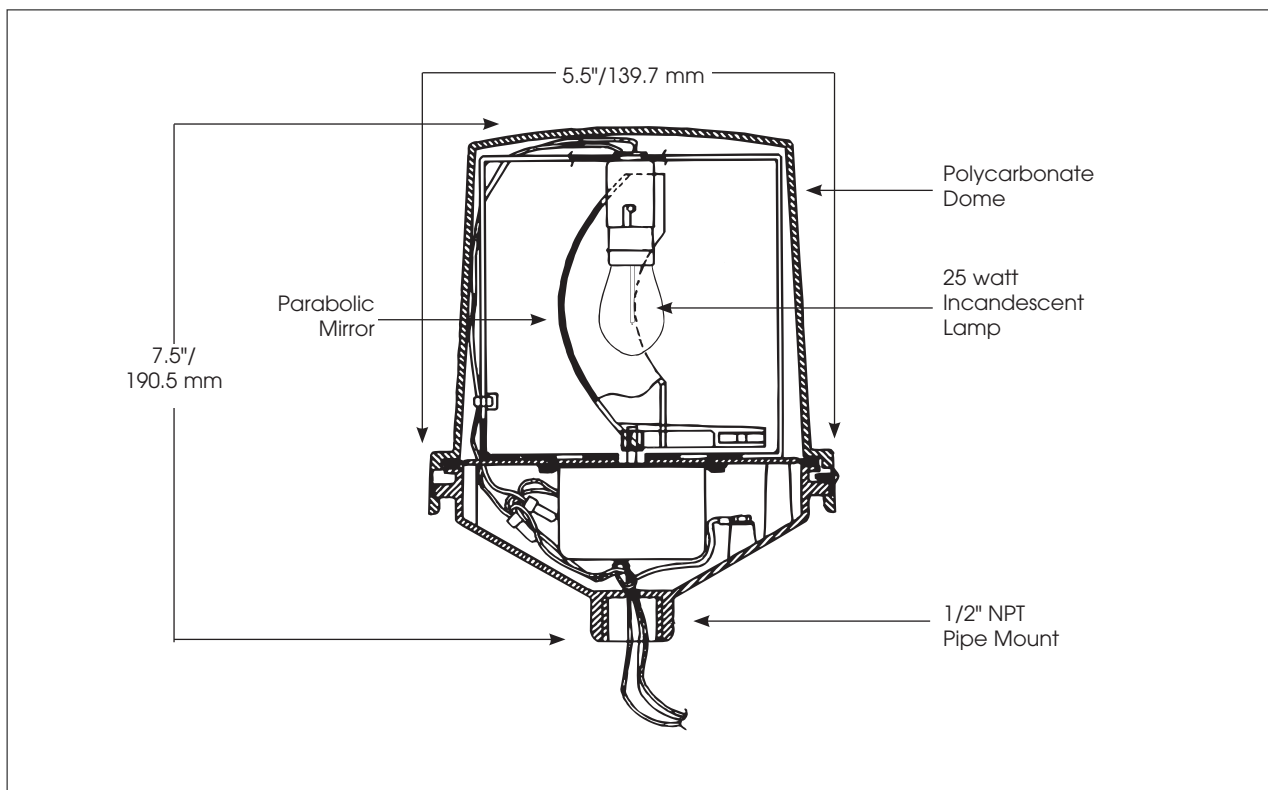
\* Indicates color: (A) Amber, (B) Blue, (C) Clear, (G) Green or (R) Red

### HAZARDOUS LOCATION RATING: 225X

T-CODE AT MAXIMUM AMBIENT TEMPERATURE, °C

Hazardous Location	66°C
Class I, Division 2, Groups A, B, C, D	T2B
Class II, Division 2, Groups F, G	T5
Class III	T5

# Electraray® Hazardous Location Warning Light (225X)



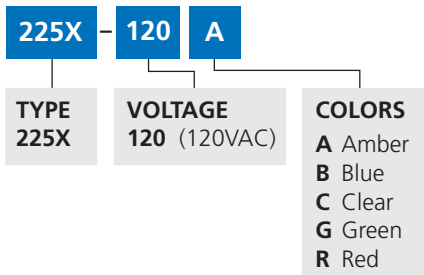
## SPECIFICATIONS

Lamp Life:	1,000 Hours	
Light Source:	Incandescent	
Operating Temperature:	-40°F to 104°F	-40°C to 40°C
Net Weight:	2.0 lbs	0.9 kg
Shipping Weight:	2.7 lbs	1.2 kg
Height:	7.5"	190.5 mm
Diameter:	5.5"	139.7 mm

## REPLACEMENT PARTS

Description	Part Number
Dome, Amber	K8444D219C-03
Dome, Blue	K8444D219C-01
Dome, Clear	K8444D219C-04
Dome, Green	K8444D219C-02
Dome, Red	K8444D219C
Lamp, 120VAC	K149123A

## HOW TO ORDER



## OPTIONAL ACCESSORIES

Description	Part Number
Hazardous Location Mounting Bracket	LHWB

Mounting Brackets shown on pages 130-131