

**LAY-IN WIREWAY, NEMA TYPE 12**



**INDUSTRY STANDARDS**

UL 870 Listed; File No. E27524

NEMA/EEMAC Type 12  
 JIC standards EGP-1-1967 and EMP-1-1967  
 CSA, File No. 42184, Type 1  
 IEC 60529, IP54



**APPLICATION**

Used primarily in industrial applications to protect wiring against exposure to oil and other contaminants, this gasketed wireway features quick-release latches for easy access and an opening on one side so wires and cables can be laid in along the entire run without pulling. Available in multiple sizes, this wireway's finish color and texture can be customized to meet application requirements.

**SCOPE OF DELIVERY**

- Lay-in wireway components
- Assembly kit
- Installation instruction

**FEATURES**

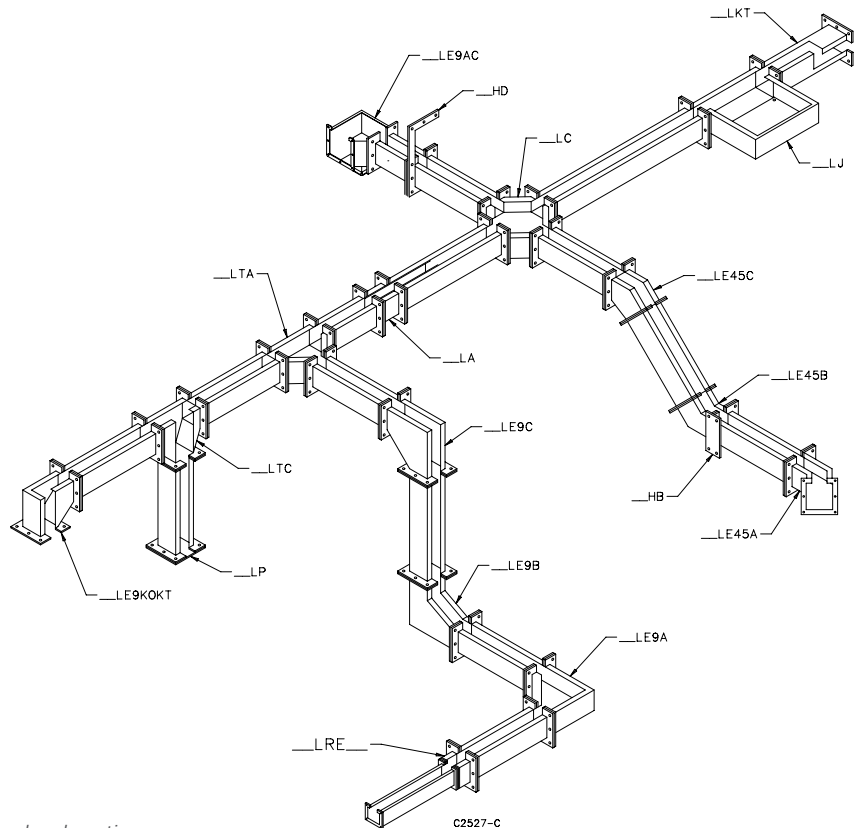
- Seams continuously welded and ground smooth
- No holes or knockouts
- Smooth, rounded edges on all sections and fittings
- Butt hinges and strong latches
- Quick-release cover latches
- Oil-resistant gasket and adhesive
- Gasketed quick-release sealing plate

**SPECIFICATIONS**

- 1,6 mm thick steel covers and bodies
- 2,6 mm thick steel end flanges

**FINISH**

- ANSI 61 gray polyester powder finish inside and out over pretreated surfaces
- Box connector is gray ANSI 61
- LSGQR sealing plate and quick-release latches are plated



For specific accessories please go to the end of each subsection.  
 For other general accessories, please refer to the chapter "Accessories".

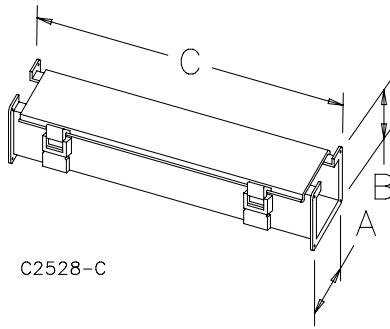
## STANDARD PRODUCT SELECTION MATRIX

Description	Sealing Plates <sup>a</sup> Type	Sealing Plates <sup>a</sup> Qty.	64 x 64 [mm]	102 x 102 [mm]	152 x 152 [mm]	203 x 203 [mm]	305 x 152 [mm]
152-mm Straight Section	Flat	1	F22L06 <sup>c,d</sup>	F44L06 <sup>c,d</sup>	F66L06 <sup>c,d</sup>	F88L06 <sup>c,d</sup>	F126L06 <sup>c,d</sup>
305-mm Straight Section	Flat	1	F22L12 <sup>c,d</sup>	F44L12 <sup>c,d</sup>	F66L12 <sup>c,d</sup>	F88L12 <sup>c,d</sup>	F126L12 <sup>c,d</sup>
610-mm Straight Section	Flat	1	F22L24 <sup>d</sup>	F44L24 <sup>c,d</sup>	F66L24 <sup>c,d</sup>	F88L24 <sup>c,d</sup>	F126L24 <sup>d</sup>
914-mm Straight Section	Flat	1	F22L36 <sup>c,d</sup>	F44L36 <sup>c,d</sup>	F66L36 <sup>c,d</sup>	F88L36 <sup>c,d</sup>	F126L36 <sup>c,d</sup>
1219-mm Straight Section	Flat	1	F22L48 <sup>c,d</sup>	F44L48 <sup>c,d</sup>	F66L48 <sup>c,d</sup>	F88L48 <sup>c,d</sup>	F126L48 <sup>c,d</sup>
1524-mm Straight Section	Flat	1	F22L60 <sup>d</sup>	F44L60 <sup>d</sup>	F66L60 <sup>d</sup>	F88L60 <sup>d</sup>	F126L60 <sup>d</sup>
3048-mm Straight Section	Flat	1	F22L120 <sup>c,d</sup>	F44L120 <sup>c,d</sup>	F66L120 <sup>c,d</sup>	F88L120 <sup>c,d</sup>	F126L120 <sup>c,d</sup>
Cutoff Fitting, Lay-In	Flat	1	F22LXL	F44LXL	F66LXL	F88LXL	F126LXL
Cutoff Fitting, Not Lay-In	90° Angle	1	F22LX	F44LX	F66LX	F88LX	F126LX
Telescope Fitting, Lay-In	Special	1	F22LA	F44LA	F66LA	F88LA	F126LA
Cross Fitting	Flat	3	F22LC <sup>c,d</sup>	F44LC <sup>c,d</sup>	F66LC <sup>c,d</sup>	F88LC <sup>c,d</sup>	F126LC <sup>c,d</sup>
90° Elbow, top opening	Flat	1	F22LE9A <sup>c,d</sup>	F44LE9A <sup>c,d</sup>	F66LE9A <sup>c,d</sup>	F88LE9A <sup>c,d</sup>	F126LE9A <sup>c,d</sup>
90° Elbow, inside opening	Flat	1	F22LE9B <sup>c,d</sup>	F44LE9B <sup>c,d</sup>	F66LE9B <sup>c,d</sup>	F88LE9B <sup>c,d</sup>	F126LE9B <sup>c,d</sup>
90° Elbow, outside opening	Flat	1	F22LE9C <sup>c,d</sup>	F44LE9C <sup>c,d</sup>	F66LE9C <sup>c,d</sup>	F88LE9C <sup>c,d</sup>	F126LE9C <sup>c,d</sup>
90° Elbow, outside top opening	Flat	2	—	F44LE9AC <sup>c,d</sup>	F66LE9AC <sup>c,d</sup>	F88LE9AC <sup>c,d</sup>	—
45° Elbow, top opening	Flat	1	F22LE45A <sup>c,d</sup>	F44LE45A <sup>c,d</sup>	F66LE45A <sup>c,d</sup>	F88LE45A <sup>c,d</sup>	F126LE45A <sup>c,d</sup>
45° Elbow, inside opening	Flat	1	F22LE45B <sup>c,d</sup>	F44LE45B <sup>c,d</sup>	F66LE45B <sup>c,d</sup>	F88LE45B <sup>c,d</sup>	—
45° Elbow, outside opening	Flat	1	F22LE45C <sup>c,d</sup>	F44LE45C <sup>c,d</sup>	F66LE45C <sup>c,d</sup>	F88LE45C <sup>c,d</sup>	—
Tee Fitting, top opening	Flat	2	F22LTA <sup>c,d</sup>	F44LTA <sup>c,d</sup>	F66LTA <sup>c,d</sup>	F88LTA <sup>c,d</sup>	F126LTA <sup>c,d</sup>
Tee Fitting, outside top opening	Flat	2	F22LTC <sup>d</sup>	F44LTC <sup>d</sup>	F66LTC <sup>d</sup>	F88LTC <sup>d</sup>	—
Junction Box	Flat	1	F22LJ <sup>c,d</sup>	F44LJ <sup>c,d</sup>	F66LJ <sup>c,d</sup>	F88LJ <sup>c,d</sup>	—
Closure Plate	90°	1	F22LP	F44LP	F66LP	F88LP	F126LP
Box Connector	90°	1	F22LB	F44LB	F66LB	F88LB	F126LB
Reducer 102 x 102 mm to 64 x 64 mm	None	0	—	F44LRE22	—	—	—
Reducer 152 x 152 mm to 102 x 102 mm	None	0	—	—	F66LRE44 <sup>c,d</sup>	—	—
Reducer 203 x 203 mm to 152 x 152 mm	None	0	—	—	—	F88LRE66 <sup>d</sup>	—
Reducer 305 x 152 mm to 152 x 152 mm	None	0	—	—	—	—	F126LRE66 <sup>c,d</sup>
Reducer 305 x 152 mm to 102 x 102 mm	None	0	—	—	—	—	F126LRE44 <sup>c,d</sup>
25-mm Nipple	Special	1	F22LN1 <sup>c,d</sup>	F44LN1 <sup>c,d</sup>	F66LN1 <sup>c,d</sup>	—	—
51-mm Nipple	Special	1	F22LN2 <sup>c,d</sup>	F44LN2 <sup>c,d</sup>	F66LN2 <sup>c,d</sup>	—	—
76-mm Nipple	Special	1	F22LN3 <sup>c,d</sup>	F44LN3 <sup>c,d</sup>	F66LN3 <sup>c,d</sup>	—	—
Drop Hanger	None	0	F22HD	F44HD	F66HD	F88HD	—
Bracket Hanger	None	0	F22HB	F44HB	F66HB	F88HB	—
Clockwise Transposition Section	Flat	1	F22LKT <sup>d</sup>	F44LKT <sup>d</sup>	F66LKT <sup>d</sup>	—	—
Counterclockwise Transposition Section	Flat	1	F22LKOKT <sup>d</sup>	F44LKOKT <sup>d</sup>	F66LKOKT <sup>d</sup>	—	—
90° Elbow, Clockwise Transposition	Flat	1	F22LE9KT <sup>c,d</sup>	F44LE9KT <sup>c,d</sup>	F66LE9KT <sup>c,d</sup>	F88LE9KT <sup>c,d</sup>	—
90° Elbow, Counterclockwise Transposition	Flat	1	F22LE9KOKT <sup>c,d</sup>	F44LE9KOKT <sup>c,d</sup>	F66LE9KOKT <sup>c,d</sup>	F88LE9KOKT <sup>c,d</sup>	—
Barrier Kit, bolt-on; Each barrier 1524 mm	None	0	—	F44BK60	F66BK60	F88BK60	—
Barrier, bracket-mounted; <sup>b</sup> Each barrier 1524 mm <sup>b</sup>	—	1 pkg. (5 pcs.)	—	F44B360	F66B560	—	—
Barrier Brackets, 2 compartment <sup>b</sup>	—	1 pkg. (5 pcs.)	—	F44BB2C	F66BB2C	—	—
Barrier Brackets, 3 compartment <sup>b</sup>	—	1 pkg. (5 pcs.)	—	F44BB3C	F66BB3C	—	—
Flat Sealing Plate <sup>a</sup>	—	—	F22LSGQR	F44LSGQR	F66LSGQR	F88LSGQR	F126LSGQR
90° Angle Sealing Plate <sup>a</sup>	—	—	F22LSAG	F44LSAG	F66LSAG	F88LSAG	F126LSAG

<sup>a</sup> Each sealing plate also includes one gasket and one set of screws to join sections.<sup>b</sup> Package consists of five barriers or five brackets. Each barrier is 1524-mm long.<sup>c</sup> Certified by Canadian Standards Association.<sup>d</sup> UL 870

**STRAIGHT SECTION**

Available in lengths from 152 mm to 3048 mm.



**STRAIGHT SECTIONS**

Item number	AxBxC [mm]	Seating Plates, Type <sup>a</sup>	Seating Plates, Qty. <sup>a</sup>	D [mm]	E [mm]
F22L06	64 x 64 x 152	Flat	1	99	99
F22L12	64 x 64 x 305	Flat	1	99	99
F22L24	64 x 64 x 610	Flat	1	99	99
F22L36	64 x 64 x 914	Flat	1	99	99
F22L48	64 x 64 x 1219	Flat	1	99	99
F22L60	64 x 64 x 1524	Flat	1	99	99
F22L120	64 x 64 x 3048	Flat	1	99	99
F44L06	102 x 102 x 152	Flat	1	137	137
F44L12	102 x 102 x 305	Flat	1	137	137
F44L24	102 x 102 x 610	Flat	1	137	137
F44L36	102 x 102 x 914	Flat	1	137	137
F44L48	102 x 102 x 1219	Flat	1	137	137
F44L60	102 x 102 x 1524	Flat	1	137	137
F44L120	102 x 102 x 3048	Flat	1	137	137
F66L06	152 x 152 x 152	Flat	1	194	194
F66L12	152 x 152 x 305	Flat	1	194	194
F66L24	152 x 152 x 610	Flat	1	194	194
F66L36	152 x 152 x 914	Flat	1	194	194
F66L48	152 x 152 x 1219	Flat	1	194	194
F66L60	152 x 152 x 1524	Flat	1	194	194
F66L120	152 x 152 x 3048	Flat	1	194	194
F88L06	203 x 203 x 152	Flat	1	244	244
F88L12	203 x 203 x 305	Flat	1	244	244
F88L24	203 x 203 x 610	Flat	1	244	244
F88L36	203 x 203 x 914	Flat	1	244	244
F88L48	203 x 203 x 1219	Flat	1	244	244
F88L60	203 x 203 x 1524	Flat	1	244	244
F88L120	203 x 203 x 3048	Flat	1	244	244
F126L06	305 x 152 x 152	Flat	1	346	194
F126L12	305 x 152 x 305	Flat	1	346	194
F126L24	305 x 152 x 610	Flat	1	346	194
F126L36	305 x 152 x 914	Flat	1	346	194
F126L48	305 x 152 x 1219	Flat	1	346	194
F126L60	305 x 152 x 1524	Flat	1	346	194
F126L120	305 x 152 x 3048	Flat	1	346	194

<sup>a</sup>Each seating plate also includes one gasket and one set of screws to join sections.  
Certified by Canadian Standards Association.

