

LAY-IN WIREWAY, NEMA TYPE 12


Clockwise from top: Tee, Flange Gasket, Quick-Release Sealing Plate, Barriers, Barrier Bracket, 90° Elbow

INDUSTRY STANDARDS

UL 870 Listed; File No. E27524

NEMA/EEMAC Type 12
 JIC standards EGP-1-1967 and EMP-1-1967
 CSA, File No. 42184, Type 1
 IEC 60529, IP54

APPLICATION

Used primarily in industrial applications to protect wiring against exposure to oil and other contaminants, this gasketed wireway features quick-release latches for easy access and an opening on one side so wires and cables can be laid in along the entire run without pulling. Available in multiple sizes, this wireway's finish color and texture can be customized to meet application requirements.

FEATURES

- Seams continuously welded and ground smooth
- No holes or knockouts
- Smooth, rounded edges on all sections and fittings
- Butt hinges and strong latches
- Quick-release cover latches
- Oil-resistant gasket and adhesive
- Gasketed quick-release sealing plate

SPECIFICATIONS

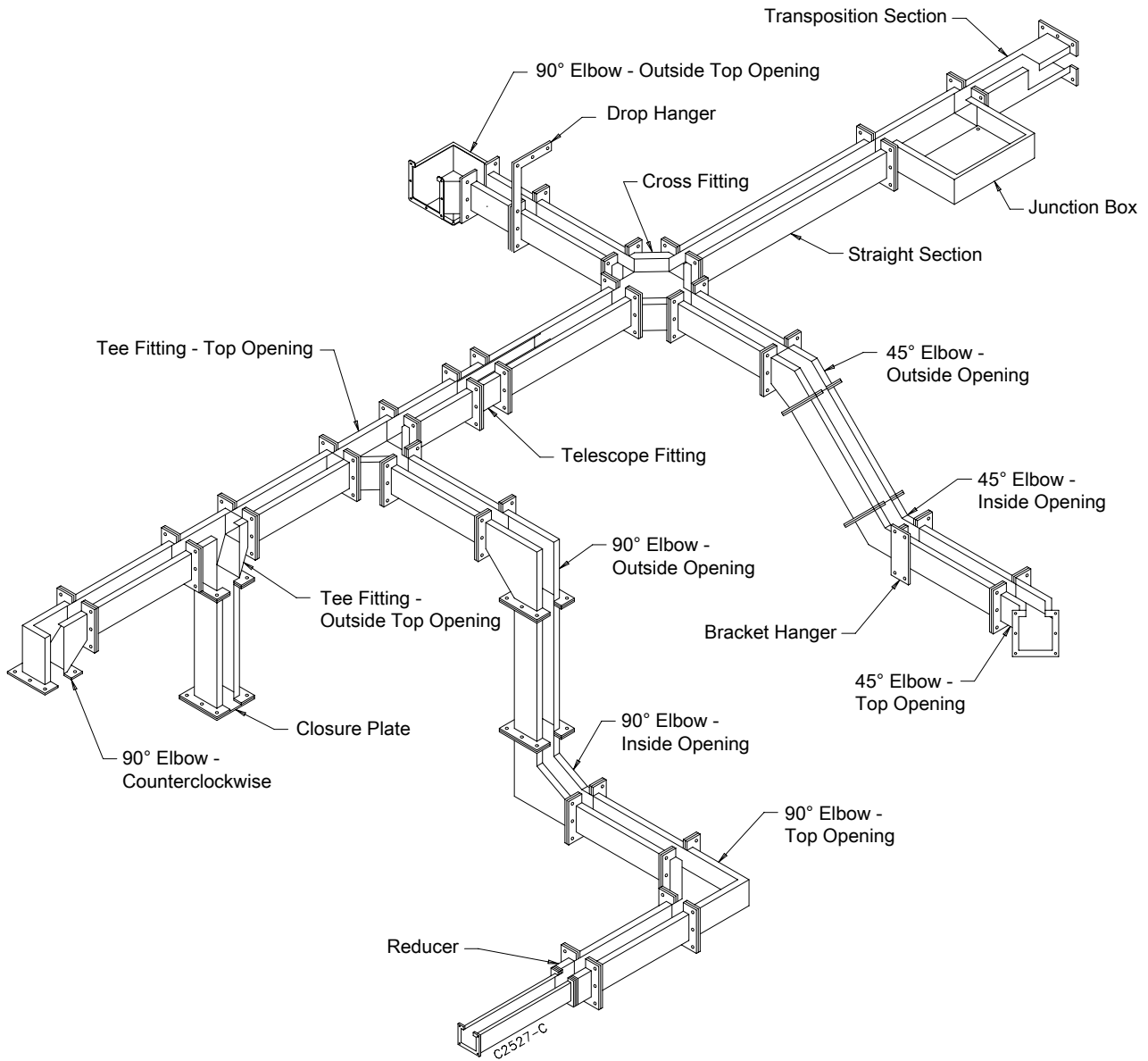
- 14 gauge steel covers and bodies
- 10 gauge steel end flanges

FINISH

- ANSI 61 gray polyester powder finish inside and out over pretreated surfaces
- Box connector is gray ANSI 61
- LSGQR sealing plate and quick-release latches are plated

ACCESSORIES

Touch-Up Paint (ATPPY61)



Standard Product Selection Matrix

Description	Sealing Plates ^a Type	Sealing Plates ^a Qty.	2.50 x 2.50 in. (64 x 64 mm)	4.00 x 4.00 in. (102 x 102 mm)	6.00 x 6.00 in. (152 x 152 mm)	8.00 x 8.00 in. (203 x 203 mm)	12.00 x 6.00 in. (305 x 152 mm)
6.00-in. (152-mm) Straight Section	Flat	1	F22L06 ^{c,d}	F44L06 ^{c,d}	F66L06 ^{c,d}	F88L06 ^{c,d}	F126L06 ^{c,d}
12.00-in. (305-mm) Straight Section	Flat	1	F22L12 ^{c,d}	F44L12 ^{c,d}	F66L12 ^{c,d}	F88L12 ^{c,d}	F126L12 ^{c,d}
24.00-in. (610-mm) Straight Section	Flat	1	F22L24 ^{c,d}	F44L24 ^{c,d}	F66L24 ^{c,d}	F88L24 ^{c,d}	F126L24 ^{c,d}
36.00-in. (914-mm) Straight Section	Flat	1	F22L36 ^{c,d}	F44L36 ^{c,d}	F66L36 ^{c,d}	F88L36 ^{c,d}	F126L36 ^{c,d}
48.00-in. (1219-mm) Straight Section	Flat	1	F22L48 ^{c,d}	F44L48 ^{c,d}	F66L48 ^{c,d}	F88L48 ^{c,d}	F126L48 ^{c,d}
60.00-in. (1524-mm) Straight Section	Flat	1	F22L60 ^{c,d}	F44L60 ^{c,d}	F66L60 ^{c,d}	F88L60 ^{c,d}	F126L60 ^{c,d}
120.00-in. (3048-mm) Straight Section	Flat	1	F22L120 ^{c,d}	F44L120 ^{c,d}	F66L120 ^{c,d}	F88L120 ^{c,d}	F126L120 ^{c,d}
Cutoff Fitting, Lay-In	Flat	1	F22LXL	F44LXL	F66LXL	F88LXL	F126LXL
Cutoff Fitting, Not Lay-In	90° Angle	1	F22LX	F44LX	F66LX	F88LX	F126LX
Telescope Fitting, Lay-In	Special	1	F22LA	F44LA	F66LA	F88LA	F126LA
Cross Fitting	Flat	3	F22LC ^{c,d}	F44LC ^{c,d}	F66LC ^{c,d}	F88LC ^{c,d}	F126LC ^{c,d}
90° Elbow, top opening	Flat	1	F22LE9A ^{c,d}	F44LE9A ^{c,d}	F66LE9A ^{c,d}	F88LE9A ^{c,d}	F126LE9A ^{c,d}
90° Elbow, inside opening	Flat	1	F22LE9B ^{c,d}	F44LE9B ^{c,d}	F66LE9B ^{c,d}	F88LE9B ^{c,d}	F126LE9B ^{c,d}
90° Elbow, outside opening	Flat	1	F22LE9C ^{c,d}	F44LE9C ^{c,d}	F66LE9C ^{c,d}	F88LE9C ^{c,d}	F126LE9C ^{c,d}
90° Elbow, outside top opening	Flat	2	—	F44LE9AC ^{c,d}	F66LE9AC ^{c,d}	F88LE9AC ^{c,d}	—
45° Elbow, top opening	Flat	1	F22LE45A ^{c,d}	F44LE45A ^{c,d}	F66LE45A ^{c,d}	F88LE45A ^{c,d}	F126LE45A ^{c,d}
45° Elbow, inside opening	Flat	1	F22LE45B ^{c,d}	F44LE45B ^{c,d}	F66LE45B ^{c,d}	F88LE45B ^{c,d}	—
45° Elbow, outside opening	Flat	1	F22LE45C ^{c,d}	F44LE45C ^{c,d}	F66LE45C ^{c,d}	F88LE45C ^{c,d}	—
Tee Fitting, top opening	Flat	2	F22LTA ^{c,d}	F44LTA ^{c,d}	F66LTA ^{c,d}	F88LTA ^{c,d}	F126LTA ^{c,d}
Tee Fitting, outside top opening	Flat	2	F22LTC ^{c,d}	F44LTC ^{c,d}	F66LTC ^{c,d}	F88LTC ^{c,d}	—
Junction Box	Flat	1	F22LJ ^{c,d}	F44LJ ^{c,d}	F66LJ ^{c,d}	F88LJ ^{c,d}	—
Closure Plate	90°	1	F22LP	F44LP	F66LP	F88LP	—
Box Connector	90°	1	F22LB	F44LB	F66LB	F88LB	—
Reducer 4.00 x 4.00 to 2.50 x 2.50 (102 x 102) to (64 x 64)	None	0	—	F44LRE2	—	—	—
Reducer 6.00 x 6.00 to 4.00 x 4.00 (152 x 152) to (102 x 102)	None	0	—	—	F66LRE44 ^{c,d}	—	—
Reducer 8.00 x 8.00 to 6.00 x 6.00 (203 x 203) to (152 x 152)	None	0	—	—	—	F88LRE66 ^d	—
Reducer 12.00 x 6.00 to 6.00 x 6.00 (305 x 152) to (152 x 152)	None	0	—	—	—	—	F126LRE66 ^{c,d}
Reducer 12.00 x 6.00 to 4.00 x 4.00 (305 x 152) to (102 x 102)	None	0	—	—	—	—	F126LRE44 ^{c,d}
1.00-in. (25-mm) Nipple	Special	1	F22LN1 ^{c,d}	F44LN1 ^{c,d}	F66LN1 ^{c,d}	—	—
2.00-in. (51-mm) Nipple	Special	1	F22LN2 ^{c,d}	F44LN2 ^{c,d}	F66LN2 ^{c,d}	—	—
3.00-in. (76-mm) Nipple	Special	1	F22LN3 ^{c,d}	F44LN3 ^{c,d}	F66LN3 ^{c,d}	—	—
Drop Hanger	None	0	F22HD	F44HD	F66HD	F88HD	—
Bracket Hanger	None	0	F22HB	F44HB	F66HB	F88HB	—
Clockwise Transposition Section	Flat	1	F22LKT ^{c,d}	F44LKT ^{c,d}	F66LKT ^{c,d}	—	—
Counterclockwise Transposition Section	Flat	1	F22LKOKT ^{c,d}	F44LKOKT ^{c,d}	F66LKOKT ^{c,d}	—	—
90° Elbow, Clockwise Transposition	Flat	1	F22LE9KT ^{c,d}	F44LE9KT ^{c,d}	F66LE9KT ^{c,d}	F88LE9KT ^{c,d}	—
90° Elbow, Counterclockwise Transposition	Flat	1	F22LE9KOKT ^{c,d}	F44LE9KOKT ^{c,d}	F66LE9KOKT ^{c,d}	F88LE9KOKT ^{c,d}	—
Barrier Kit, bolt-on Each barrier 60.00 in. (1524 mm)	None	0	—	F44BK60	F66BK60	F88BK60	F66BK60
Barrier, bracket-mounted ^b Each barrier 60.00 in. (1524 mm) ^b	—	1 pkg. (5 pcs.)	—	F44B360	F66B560	—	—
Barrier Brackets, 2 compartment ^b	—	1 pkg. (5 pcs.)	—	F44BB2C	F66BB2C	—	—
Barrier Brackets, 3 compartment ^b	—	1 pkg. (5 pcs.)	—	F44BB3C	F66BB3C	—	—
Flat Sealing Plate ^a	—	—	F22LSGQR	F44LSGQR	F66LSGQR	F88LSGQR	F126LSGQR
90° Angle Sealing Plate ^a	—	—	F22LSAG	F44LSAG	F66LSAG	F88LSAG	F126LSAG

^a Each sealing plate also includes one gasket and one set of screws to join sections.

^b Package consists of five barriers or five brackets. Each barrier is 60-in. long.

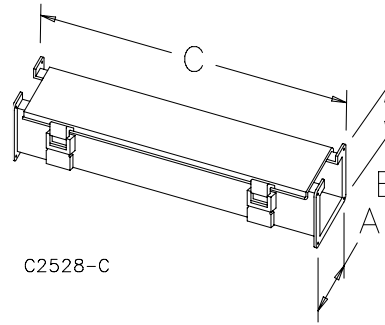
^c Certified by Canadian Standards Association.

^d UL 870

STRAIGHT SECTION

Available in lengths from 6.00 in. (152 mm) to 120.00 in. (3048 mm).

BULLETIN: F10

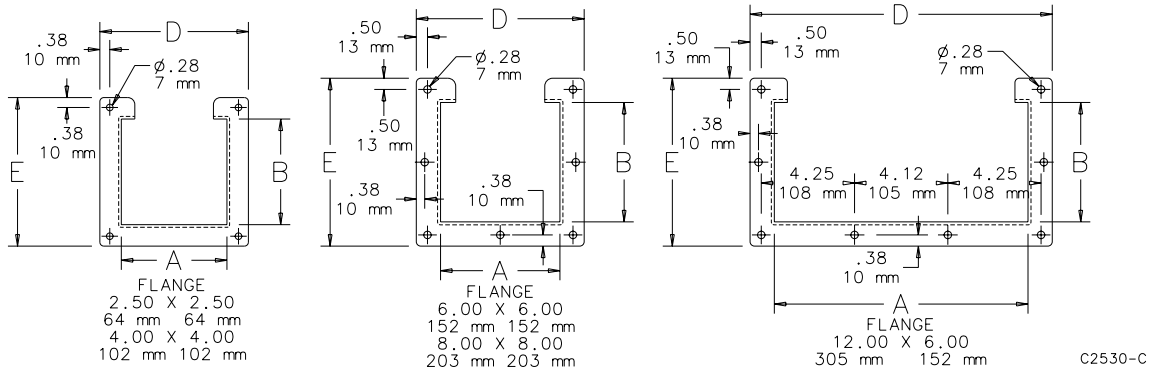


Straight Sections

Catalog Number	AxBxC in.	AxBxC mm	Sealing Plates, Type ^a	Sealing Plates, Qty. ^a	D (in.)	D (mm)	E (in.)	E (mm)
F22L06	2.50 x 2.50 x 6.00	64 x 64 x 152	Flat	1	3.88	99	3.88	99
F22L12	2.50 x 2.50 x 12.00	64 x 64 x 305	Flat	1	3.88	99	3.88	99
F22L24	2.50 x 2.50 x 24.00	64 x 64 x 610	Flat	1	3.88	99	3.88	99
F22L36	2.50 x 2.50 x 36.00	64 x 64 x 914	Flat	1	3.88	99	3.88	99
F22L48	2.50 x 2.50 x 48.00	64 x 64 x 1219	Flat	1	3.88	99	3.88	99
F22L60	2.50 x 2.50 x 60.00	64 x 64 x 1524	Flat	1	3.88	99	3.88	99
F22L120	2.50 x 2.50 x 120.00	64 x 64 x 3048	Flat	1	3.88	99	3.88	99
F44L06	4.00 x 4.00 x 6.00	102 x 102 x 152	Flat	1	5.38	137	5.38	137
F44L12	4.00 x 4.00 x 12.00	102 x 102 x 305	Flat	1	5.38	137	5.38	137
F44L24	4.00 x 4.00 x 24.00	102 x 102 x 610	Flat	1	5.38	137	5.38	137
F44L36	4.00 x 4.00 x 36.00	102 x 102 x 914	Flat	1	5.38	137	5.38	137
F44L48	4.00 x 4.00 x 48.00	102 x 102 x 1219	Flat	1	5.38	137	5.38	137
F44L60	4.00 x 4.00 x 60.00	102 x 102 x 1524	Flat	1	5.38	137	5.38	137
F44L120	4.00 x 4.00 x 120.00	102 x 102 x 3048	Flat	1	5.38	137	5.38	137
F66L06	6.00 x 6.00 x 6.00	152 x 152 x 152	Flat	1	7.62	194	7.62	194
F66L12	6.00 x 6.00 x 12.00	152 x 152 x 305	Flat	1	7.62	194	7.62	194
F66L24	6.00 x 6.00 x 24.00	152 x 152 x 610	Flat	1	7.62	194	7.62	194
F66L36	6.00 x 6.00 x 36.00	152 x 152 x 914	Flat	1	7.62	194	7.62	194
F66L48	6.00 x 6.00 x 48.00	152 x 152 x 1219	Flat	1	7.62	194	7.62	194
F66L60	6.00 x 6.00 x 60.00	152 x 152 x 1524	Flat	1	7.62	194	7.62	194
F66L120	6.00 x 6.00 x 120.00	152 x 152 x 3048	Flat	1	7.62	194	7.62	194
F88L06	8.00 x 8.00 x 6.00	203 x 203 x 152	Flat	1	9.62	244	9.62	244
F88L12	8.00 x 8.00 x 12.00	203 x 203 x 305	Flat	1	9.62	244	9.62	244
F88L24	8.00 x 8.00 x 24.00	203 x 203 x 610	Flat	1	9.62	244	9.62	244
F88L36	8.00 x 8.00 x 36.00	203 x 203 x 914	Flat	1	9.62	244	9.62	244
F88L48	8.00 x 8.00 x 48.00	203 x 203 x 1219	Flat	1	9.62	244	9.62	244
F88L60	8.00 x 8.00 x 60.00	203 x 203 x 1524	Flat	1	9.62	244	9.62	244
F88L120	8.00 x 8.00 x 120.00	203 x 203 x 3048	Flat	1	9.62	244	9.62	244
F126L06	12.00 x 6.00 x 6.00	305 x 152 x 152	Flat	1	13.62	346	7.62	194
F126L12	12.00 x 6.00 x 12.00	305 x 152 x 305	Flat	1	13.62	346	7.62	194
F126L24	12.00 x 6.00 x 24.00	305 x 152 x 610	Flat	1	13.62	346	7.62	194
F126L36	12.00 x 6.00 x 36.00	305 x 152 x 914	Flat	1	13.62	346	7.62	194
F126L48	12.00 x 6.00 x 48.00	305 x 152 x 1219	Flat	1	13.62	346	7.62	194
F126L60	12.00 x 6.00 x 60.00	305 x 152 x 1524	Flat	1	13.62	346	7.62	194
F126L120	12.00 x 6.00 x 120.00	305 x 152 x 3048	Flat	1	13.62	346	7.62	194

^aEach sealing plate also includes one gasket and one set of screws to join sections.

Certified by Canadian Standards Association.



C2530-C

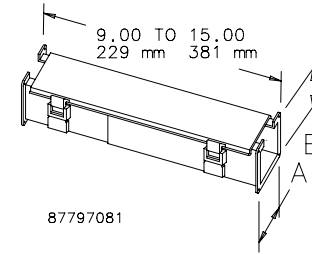
CUT-OFF FITTING, LAY-IN

For lengths of 9.00 in. (229 mm) to 15.00 in. (381 mm) only. Body comes in two pieces. Shorten body and cover to the desired length and weld together.

BULLETIN: F10

Catalog Number	AxB in.	AxB mm	Sealing Plates, Type ^a	Sealing Plates, Qty. ^a
F22LXL	2.50 x 2.50	64 x 64	Flat	1
F44LXL	4.00 x 4.00	102 x 102	Flat	1
F66LXL	6.00 x 6.00	152 x 152	Flat	1
F88LXL	8.00 x 8.00	203 x 203	Flat	1
F126LXL	12.00 x 6.00	305 x 152	Flat	1

^aEach sealing plate also includes one gasket and one set of screws to join sections.



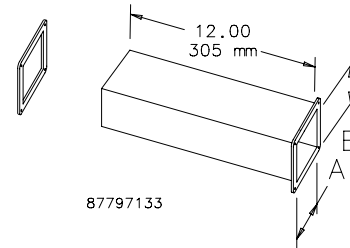
CUT-OFF FITTING, NON-LAY-IN

For lengths up to 12.00 in. (305 mm). Shorten body to desired length and weld on flange. This is not a "lay-in" fitting but often is used when entering an enclosure.

BULLETIN: F10

Catalog Number	AxB in.	AxB mm	Sealing Plates, Type ^a	Sealing Plates, Qty. ^a
F22LX	2.50 x 2.50	64 x 64	90° Angle	1
F44LX	4.00 x 4.00	102 x 102	90° Angle	1
F66LX	6.00 x 6.00	152 x 152	90° Angle	1
F88LX	8.00 x 8.00	203 x 203	90° Angle	1
F126LX	12.00 x 6.00	305 x 152	90° Angle	1

^aEach sealing plate also includes one gasket and one set of screws to join sections.



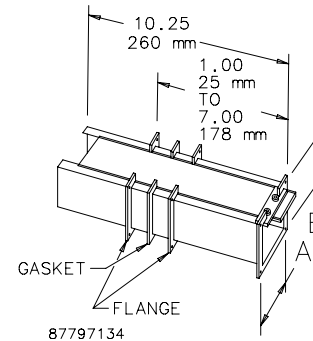
TELESCOPE FITTING, LAY-IN

Length is easily adjustable from 1.00 in. (25 mm) to 7.00 in. (178 mm). No cutting or welding required.

BULLETIN: F10

Catalog Number	AxB in.	AxB mm	Sealing Plates, Type ^a	Sealing Plates, Qty. ^a
F22LA	2.50 x 2.50	64 x 64	Special	1
F44LA	4.00 x 4.00	102 x 102	Special	1
F66LA	6.00 x 6.00	152 x 152	Special	1
F88LA	8.00 x 8.00	203 x 203	Special	1
F126LA	12.00 x 6.00	305 x 152	Special	1

^aEach sealing plate also includes one gasket and one set of screws to join sections



CROSS FITTING

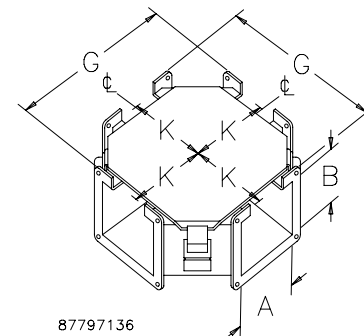
Used when there are four branches, all open along the same side.

BULLETIN: F10

Catalog Number	AxB in./mm	Sealing Plates, Type ^a	Sealing Plates, Qty. ^a	G in./mm	K in./mm
F22LC	2.50 x 2.50	Flat	3	8.50	4.25
	64 x 64			216	108
F44LC	4.00 x 4.00	Flat	3	10.00	5.00
	102 x 102			254	127
F66LC	6.00 x 6.00	Flat	3	12.00	6.00
	152 x 152			305	152
F88LC	8.00 x 8.00	Flat	3	14.00	7.00
	203 x 203			356	178
F126LC	12.00 x 6.00	Flat	3	18.00	9.00
	305 x 152			457	229

^aEach sealing plate also includes one gasket and one set of screws to join sections.

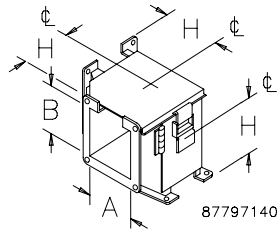
Certified by Canadian Standards Association



90-DEGREE ELBOW—OUTSIDE TOP OPENING

This elbow fitting allows a vertical drop to equipment below at a 90-degree corner while maintaining the top opening lay-in feature.

BULLETIN: F10



90-DEGREE ELBOWS

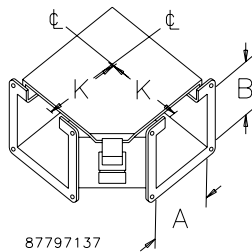
Because sections of lay-in wireway can be mounted with covers oriented in any direction, three different 90-degree elbows are available. Proper selection allows the user to maintain the same access and thereby preserve the lay-in feature for right-angle installations.

BULLETIN: F10

Top Opening

Catalog Number	AxB in./mm	Sealing Plates, Type ^a	Sealing Plates, Qty. ^a	K in./mm
F22LE9A	2.50 x 2.50 64 x 64	Flat	1	4.25 108
F44LE9A	4.00 x 4.00 102 x 102	Flat	1	5.00 127
F66LE9A	6.00 x 6.00 152 x 152	Flat	1	6.00 152
F88LE9A	8.00 x 8.00 203 x 203	Flat	1	7.00 178
F126LE9A	12.00 x 6.00 305 x 152	Flat	1	9.00 229

^aEach sealing plate also includes one gasket and one set of screws to join sections.
Certified by Canadian Standards Association.



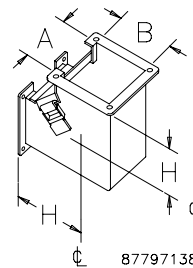
Catalog Number	AxB in./mm	Sealing Plates, Type ^a	Sealing Plates, Qty. ^a	H in./mm
F44LE9AC	4.00 x 4.00 102 x 102	Flat	2	5.00 127
F66LE9AC	6.00 x 6.00 152 x 152	Flat	2	6.00 152
F88LE9AC	8.00 x 8.00 203 x 203	Flat	2	7.00 178

^aEach sealing plate also includes one gasket and one set of screws to join sections.

Inside Opening

Catalog Number	AxB in./mm	Sealing Plates, Type ^a	Sealing Plates, Qty. ^a	H in./mm
F22LE9B	2.50 x 2.50 64 x 64	Flat	1	4.25 108
F44LE9B	4.00 x 4.00 102 x 102	Flat	1	5.00 127
F66LE9B	6.00 x 6.00 152 x 152	Flat	1	6.00 152
F88LE9B	8.00 x 8.00 203 x 203	Flat	1	7.00 178
F126LE9B	12.00 x 6.00 305 x 152	Flat	1	6.00 152

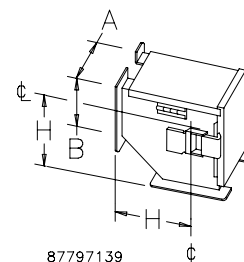
^aEach sealing plate also includes one gasket and one set of screws to join sections.
Certified by Canadian Standards Association.



Outside Opening

Catalog Number	AxB in./mm	Sealing Plates, Type ^a	Sealing Plates, Qty. ^a	H in./mm
F22LE9C	2.50 x 2.50 64 x 64	Flat	1	4.25 108
F44LE9C	4.00 x 4.00 102 x 102	Flat	1	5.00 127
F66LE9C	6.00 x 6.00 152 x 152	Flat	1	6.00 152
F88LE9C	8.00 x 8.00 203 x 203	Flat	1	7.00 178
F126LE9C	12.00 x 6.00 305 x 152	Flat	1	6.00 152

^aEach sealing plate also includes one gasket and one set of screws to join sections.
Certified by Canadian Standards Association.



45-DEGREE ELBOWS

Because sections of lay-in wireway can be mounted with covers oriented in any direction, three different 45-degree elbows are available. Proper selection allows the user to maintain the same access and thereby preserve the lay-in feature for right-angle installations.

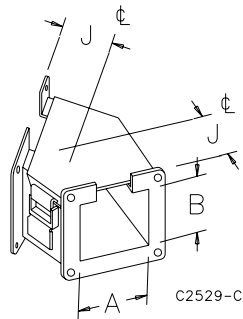
BULLETIN: F10

Top Opening

Catalog Number	AxB in./mm	Sealing Plates, Type ^a	Sealing Plates, Qty. ^a	J in./mm
F22LE45A	2.50 x 2.50 64 x 64	Flat	1	2.00 51
F44LE45A	4.00 x 4.00 102 x 102	Flat	1	2.44 62
F66LE45A	6.00 x 6.00 152 x 152	Flat	1	3.00 76
F88LE45A	8.00 x 8.00 203 x 203	Flat	1	3.75 95
F126LE45A	12.00 x 6.00 305 x 152	Flat	1	4.75 121

^aEach sealing plate also includes one gasket and one set of screws to join sections.

Certified by Canadian Standards Association.

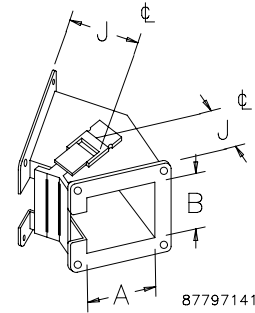


Inside Opening

Catalog Number	AxB in./mm	Sealing Plates, Type ^a	Sealing Plates, Qty. ^a	J in./mm
F22LE45B	2.50 x 2.50 64 x 64	Flat	1	2.00 51
F44LE45B	4.00 x 4.00 102 x 102	Flat	1	2.44 62
F66LE45B	6.00 x 6.00 152 x 152	Flat	1	3.00 76
F88LE45B	8.00 x 8.00 203 x 203	Flat	1	3.75 95

^aEach sealing plate also includes one gasket and one set of screws to join sections.

Certified by Canadian Standards Association.

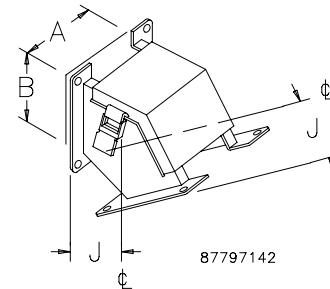


Outside Opening

Catalog Number	AxB in./mm	Sealing Plates, Type ^a	Sealing Plates, Qty. ^a	J in./mm
F22LE45C	2.50 x 2.50 64 x 64	Flat	1	2.00 51
F44LE45C	4.00 x 4.00 102 x 102	Flat	1	2.44 62
F66LE45C	6.00 x 6.00 152 x 152	Flat	1	3.00 76
F88LE45C	8.00 x 8.00 203 x 203	Flat	1	3.75 95

^aEach sealing plate also includes one gasket and one set of screws to join sections.

Certified by Canadian Standards Association.



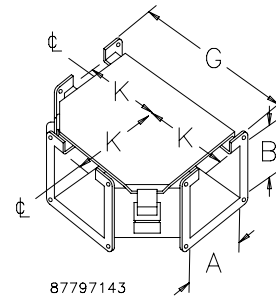
TEE FITTING—TOP OPENING

This fitting is used when the covers of all three branches of the wireway run are open along the same side.

BULLETIN: F10

Catalog Number	AxB in./mm	Sealing Plates, Type ^a	Sealing Plates, Qty. ^a	G in./mm	K in./mm
F22LTA	2.50 x 2.50 64 x 64	Flat	2	8.50 216	4.25 108
F44LTA	4.00 x 4.00 102 x 102	Flat	2	10.00 254	5.00 127
F66LTA	6.00 x 6.00 152 x 152	Flat	2	12.00 305	6.00 152
F88LTA	8.00 x 8.00 203 x 203	Flat	2	14.00 356	7.00 178
F126LTA	12.00 x 6.00 305 x 152	Flat	2	18.00 457	9.00 229

^aEach sealing plate also includes one gasket and one set of screws to join sections.
Certified by Canadian Standards Association.



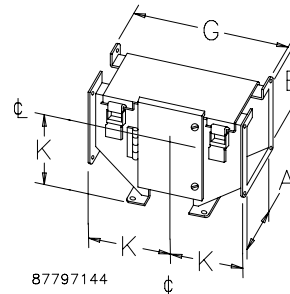
TEE FITTING—OUTSIDE TOP OPENING

This fitting is used when the covers of two branches are on the same side and the third is on a different side.

BULLETIN: F10

Catalog Number	AxB in./mm	Sealing Plates, Type ^a	Sealing Plates, Qty. ^a	G in./mm	K in./mm
F22LTC	2.50 x 2.50 64 x 64	Flat	2	8.50 216	4.25 108
F44LTC	4.00 x 4.00 102 x 102	Flat	2	10.00 254	5.00 127
F66LTC	6.00 x 6.00 152 x 152	Flat	2	12.00 305	6.00 152
F88LTC	8.00 x 8.00 203 x 203	Flat	2	14.00 356	7.00 178

^aEach sealing plate also includes one gasket and one set of screws to join sections.
Certified by Canadian Standards Association.



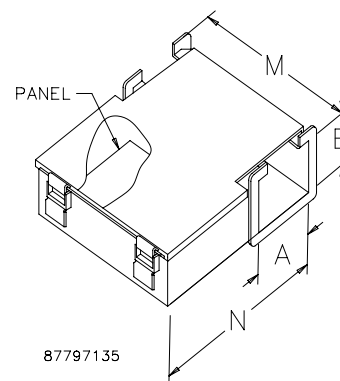
JUNCTION BOX

The junction box has a removable panel on which terminal blocks and other components may be mounted.

BULLETIN: F10

Catalog Number	AxB in./mm	Sealing Plates, Type	Sealing Plates, Qty. ^a	M in./mm	N in./mm	Removable Panel Size in./mm
F22LJ	2.50 x 2.50 64 x 64	Flat	1	12.00 305	10.25 260	8.75 x 6.88 222 x 175
F44LJ	4.00 x 4.00 102 x 102	Flat	1	14.00 356	13.88 353	10.75 x 8.88 273 x 225
F66LJ	6.00 x 6.00 152 x 152	Flat	1	16.00 406	17.88 454	12.75 x 10.88 324 x 276
F88LJ	8.00 x 8.00 203 x 203	Flat	1	18.00 457	21.88 556	14.75 x 12.88 375 x 327

^aEach sealing plate also includes one gasket and one set of screws to join sections.
Certified by Canadian Standards Association.



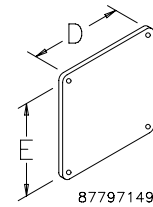
CLOSURE PLATE

Used to seal the end of a wireway section or run.

BULLETIN: F10

Catalog Number	Sealing Plates, Type ^a	Sealing Plates, Qty. ^a	D in./mm	E in./mm
F22LP	90°	1	3.88 99	3.88 99
F44LP	90°	1	5.38 137	5.38 137
F66LP	90°	1	7.62 194	7.62 194
F88LP	90°	1	9.62 244	9.62 244
F126LP	90°	1	13.62 346	7.62 194

^aEach sealing plate also includes one gasket and one set of screws to join sections.



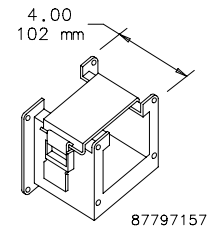
REDUCER

This fitting permits the lay-in feature to be retained when reducing to a smaller wireway size.

BULLETIN: F10

Catalog Number	Sealing Plates, Type	Sealing Plates, Qty.	From A x B in./mm	To A x B in./mm
F44LRE22	None	0	4.00 x 4.00 102 x 102	2.50 x 2.50 64 x 64
F66LRE44	None	0	6.00 x 6.00 152 x 152	4.00 x 4.00 102 x 102
F88LRE66	None	0	8.00 x 8.00 203 x 203	6.00 x 6.00 152 x 152
F126LRE66	None	0	12.00 x 6.00 305 x 152	6.00 x 6.00 152 x 152
F126LRE44	None	0	12.00 x 6.00 305 x 152	4.00 x 4.00 102 x 102

Certified by Canadian Standards Association.



NIPPLE

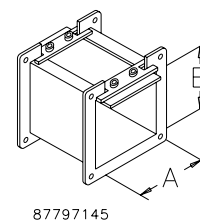
Available in lengths of 1.00 in. (25 mm), 2.00 in. (51 mm) and 3.00 in. (76 mm).

BULLETIN: F10

Catalog Number	AxBxC in./mm	Sealing Plates, Type ^a	Sealing Plates, Qty. ^a
F22LN1	2.50 x 2.50 x 1.00 64 x 64 x 25	Special	1
F22LN2	2.50 x 2.50 x 2.00 64 x 64 x 51	Special	1
F22LN3	2.50 x 2.50 x 3.00 64 x 64 x 76	Special	1
F44LN1	4.00 x 4.00 x 1.00 102 x 102 x 25	Special	1
F44LN2	4.00 x 4.00 x 2.00 102 x 102 x 51	Special	1
F44LN3	4.00 x 4.00 x 3.00 102 x 102 x 76	Special	1
F66LN1	6.00 x 6.00 x 1.00 152 x 152 x 25	Special	1
F66LN2	6.00 x 6.00 x 2.00 152 x 152 x 51	Special	1
F66LN3	6.00 x 6.00 x 3.00 152 x 152 x 76	Special	1

^aEach sealing plate also includes one gasket and one set of screws to join sections.

Certified by Canadian Standards Association.

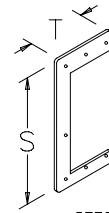


DROP HANGER

Hangers are used to support a wireway run. The drop hanger is normally attached to an overhead beam or ceiling.

BULLETIN: F20

Catalog Number	Sealing Plates, Type ^a	Sealing Plates, Qty. ^a	S in./mm	T in./mm
F22HD	None	0	9.25 235	4.50 114
F44HD	None	0	11.75 298	6.00 152
F66HD	None	0	15.25 387	8.12 206
F88HD	None	0	20.56 522	12.12 308



87797146

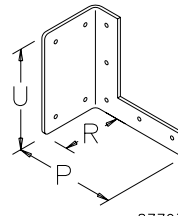
^aEach sealing plate also includes one gasket and one set of screws to join sections.

BRACKET HANGER

Hangers are used to support a wireway run. The bracket hanger can be used for wall, floor or ceiling installations.

BULLETIN: F20

Catalog Number	P in./mm	R in./mm	U in./mm
F22HB	4.62 117	3.62 92	4.38 111
F44HB	6.12 155	3.62 92	5.88 149
F66HB	8.25 210	3.62 92	7.88 200
F88HB	10.25 260	3.62 92	11.25 286



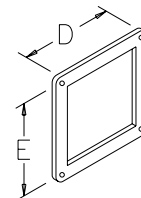
87797147

BOX CONNECTOR

When wireway enters an enclosure, a box connector should be used on the inside of the enclosure to ensure a tight seal.

BULLETIN: F10

Catalog Number	Sealing Plates, Type ^a	Sealing Plates, Qty. ^a	D in./mm	E in./mm
F22LB	90°	1	3.88 99	3.88 99
F44LB	90°	1	5.38 137	5.38 137
F66LB	90°	1	7.62 194	7.62 194
F88LB	90°	1	9.62 244	9.62 244
F126LB	90°	1	13.62 346	7.62 194



87797148

^aEach sealing plate also includes one gasket and one set of screws to join sections.

TRANSPOSITION SECTIONS

These fittings are used when it is necessary to rotate the open side of the wireway run by 90 degrees and still retain the lay-in feature.

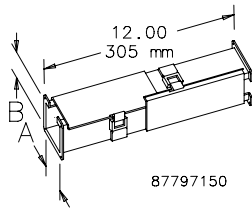
BULLETIN: F10

Clockwise

Catalog Number	AxB in./mm	Sealing Plates, Type ^a	Sealing Plates, Qty. ^a
F22LKT	2.50 x 2.50 64 x 64	Flat	1
F44LKT	4.00 x 4.00 102 x 102	Flat	1
F66LKT	6.00 x 6.00 152 x 152	Flat	1

^aEach sealing plate also includes one gasket and one set of screws to join sections.

Certified by Canadian Standards Association.

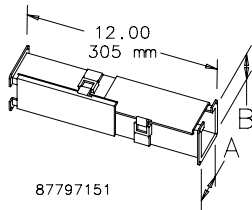


Counterclockwise

Catalog Number	AxB in./mm	Sealing Plates, Type ^a	Sealing Plates, Qty. ^a
F22LKOKT	2.50 x 2.50 64 x 64	Flat	1
F44LKOKT	4.00 x 4.00 102 x 102	Flat	1
F66LKOKT	6.00 x 6.00 152 x 152	Flat	1

^aEach sealing plate also includes one gasket and one set of screws to join sections.

Certified by Canadian Standards Association.

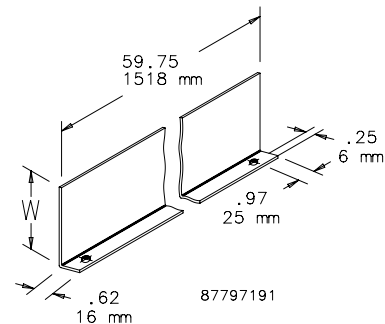


BARRIER KIT, BOLT-ON

Divides wireway into two or more compartments. Barriers are fastened to wireway sections with screws. Sealing washers are included.

BULLETIN: F20

Catalog Number	W in./mm
F33BK60	2.00 51
F44BK60	3.00 76
F66BK60	4.50 114
F88BK60	6.00 152

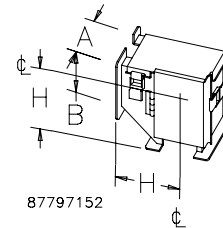


90-Degree Elbow - Clockwise

Catalog Number	AxB in./mm	Sealing Plates, Type ^a	Sealing Plates, Qty. ^a	H in./mm
F22LE9KT	2.50 x 2.50 64 x 64	Flat	1	4.25 108
F44LE9KT	4.00 x 4.00 102 x 102	Flat	1	5.00 127
F66LE9KT	6.00 x 6.00 152 x 152	Flat	1	6.00 152
F88LE9KT	8.00 x 8.00 203 x 203	Flat	1	7.00 178

^aEach sealing plate also includes one gasket and one set of screws to join sections.

Certified by Canadian Standards Association.

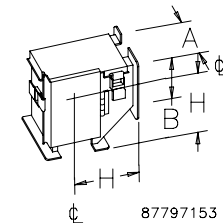


90-Degree Elbow - Counterclockwise

Catalog Number	AxB in./mm	Sealing Plates, Type ^a	Sealing Plates, Qty. ^a	H in./mm
F22LE9KOKT	2.50 x 2.50 64 x 64	Flat	1	4.25 108
F44LE9KOKT	4.00 x 4.00 102 x 102	Flat	1	5.00 127
F66LE9KOKT	6.00 x 6.00 152 x 152	Flat	1	6.00 152
F88LE9KOKT	8.00 x 8.00 203 x 203	Flat	1	7.00 178

^aEach sealing plate also includes one gasket and one set of screws to join sections.

Certified by Canadian Standards Association.



BARRIER KITS, BRACKET-MOUNTED

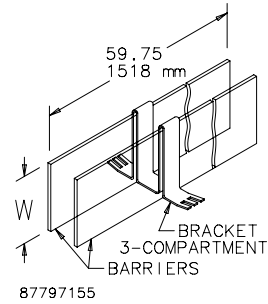
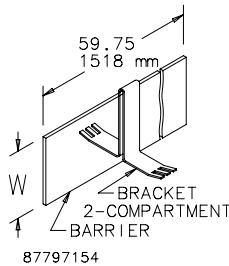
Spring steel brackets hold barriers in place by friction fit inside wireway. Order barrier and bracket separately. Recommended spacing in increments of 3 ft. (.9 m).

BULLETIN: F10

Two or Three Compartment

Catalog Number	Sealing Plates (qty.) ^a	W (in.)	W (mm)
F44B360	1 pkg. ^a (5 pcs.)	3.00	76
F66B560	1 pkg. ^a (5 pcs.)	4.50	114

^aPackage consists of five barriers or five brackets. Each barrier is 60 inches long.



Two Compartment

Catalog Number	Sealing Plates (qty.) ^a	W (in.)	W (mm)
F44BB2C	1 pkg.	3.00	76
F66BB2C	1 pkg.	4.50	114

^aPackage consists of five barriers or five brackets. Each barrier is 60 inches long.

Three Compartment

Catalog Number	Sealing Plates (qty.) ^a	W (in.)	W (mm)
F44BB3C	1 pkg.	3.00	76
F66BB3C	1 pkg.	4.50	114

^aPackage consists of five barriers or five brackets. Each barrier is 60 inches long.

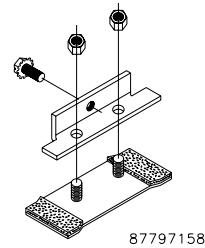
90-DEGREE ANGLE SEALING PLATE

When joining a lay-in section or fitting to a closure plate, a box connector, a non-lay-in cut-off fitting or any similar non-lay-in section or fitting, a F____LSAG 90-degree angle sealing plate is required at each junction. Hoffman furnishes this plate with fittings. Additional 90-degree angle sealing plates may be required in some cases. Plate includes a flange gasket and flange screws, not shown in drawing.

BULLETIN: F10

Catalog Number	AxB in./mm
F22LSAG	2.50 x 2.50 64 x 64
F44LSAG	4.00 x 4.00 102 x 102
F66LSAG	6.00 x 6.00 152 x 152
F88LSAG	8.00 x 8.00 203 x 203
F126LSAG	12.00 x 6.00 305 x 152

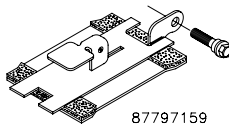
Each sealing plate also includes one gasket and one set of screws to join sections.



QUICK-RELEASE FLAT SEALING PLATE

This exclusive Hoffman-designed hinged sealing plate permits quick and easy access to the wireway interior without using a tool.

BULLETIN: F10



Catalog Number	AxB in./mm
F22LSGQR	2.50 x 2.50 64 x 64
F44LSGQR	4.00 x 4.00 102 x 102
F66LSGQR	6.00 x 6.00 152 x 152
F88LSGQR	8.00 x 8.00 203 x 203
F126LSGQR	12.00 x 6.00 305 x 152

Each sealing plate also includes one gasket and one set of screws to join sections.