

DRAWN PUSHBUTTON ENCLOSURES, TYPE 4

APPLICATION

Drawn Pushbutton Enclosures are designed to hold 30.5-mm or 22.5-mm 4-way pushbuttons and switches. These enclosures have no welded seams or sharp corners.

SPECIFICATIONS

- Drawn 16 gauge steel; no welded seams or sharp corners
- Cover screws outside gasket sealing surface
- Flat or domed flanged cover
- Bonding provision on cover
- Grounding stud on body
- Oil-resistant gasket
- External welded-on mounting brackets for easy installation
- Factory stamped 4-way pushbutton holes
- 30.5-mm or 22.5-mm size holes

FINISH

ANSI 61 gray polyester powder paint inside and out

ACCESSORIES

Industrial Corrosion Inhibitors, page 504
 HOL-SEALERS Hole Seals, page 500

BULLETIN: PB1
INDUSTRY STANDARDS

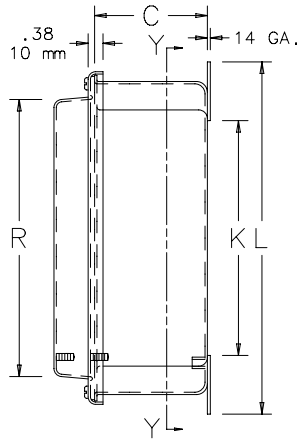
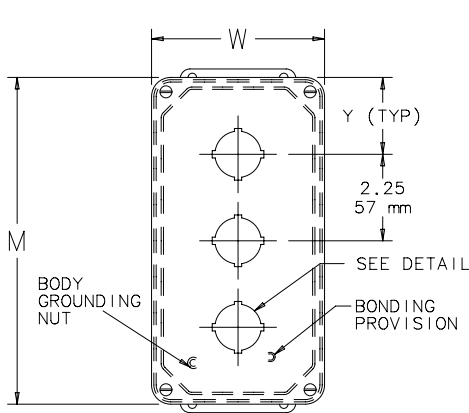
UL 508A Listed; Type 4, 12, 13; File No. E61997
 cUL Listed per CSA C22.2 No. 94; Type 4, 12, 13; File No. E61997

NEMA/EEMAC Type 4, 12, 13
 IEC 60529, IP66

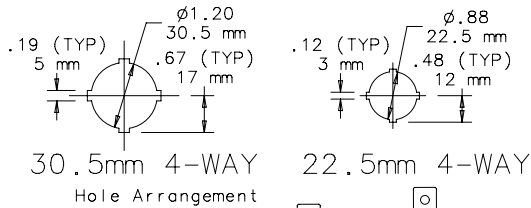
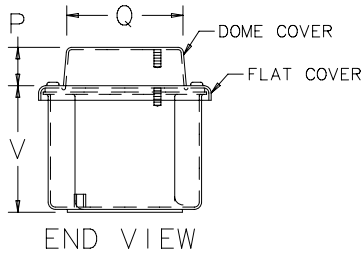
Standard Product

Catalog Number	AxBxC in./mm	Hole Size	Number of Holes	Mounting G x H in./mm	Cover Type	Enclosure Depth													
						P + V in./mm	F in./mm	K in./mm	L in./mm	M in./mm	P in./mm	Q in./mm	R in./mm	S in./mm	T in./mm	V in./mm	W in./mm	Y in./mm	
ED1PB1	4.50 x 2.88 x 2.62	30.5 mm	1	5.00 x 1.12	Flat	—	—	—	—	—	—	—	—	—	—	—	—	—	2.78
	114 x 73 x 67			127 x 29		—	—	—	—	—	—	—	—	—	—	—	—	—	—
ED1PB2	3.50 x 4.00 x 2.75	30.5 mm	1	4.00 x 2.38	Flat	—	3.00	1.50	4.50	4.00	—	—	—	—	2.06	2.56	2.98	4.50	2.00
	89 x 102 x 70			102 x 60		—	76	38	114	102	—	—	—	52	65	76	114	51	—
ED2PB	5.75 x 4.00 x 2.75	30.5 mm	2	6.25 x 2.38	Flat	—	3.00	3.75	6.75	6.25	—	—	—	4.31	2.56	2.98	4.50	2.00	
	146 x 102 x 70			159 x 60		—	76	95	171	159	—	—	109	65	76	114	51	—	
ED3PB	8.00 x 4.00 x 2.75	30.5 mm	3	8.50 x 2.38	Flat	—	3.00	6.00	9.00	8.50	—	—	—	6.56	2.56	2.98	4.50	2.00	
	203 x 102 x 70			216 x 60		—	76	152	229	216	—	—	167	65	76	114	51	—	
ED4PB	10.25 x 4.00 x 2.75	30.5 mm	4	10.75 x 2.38	Flat	—	3.00	8.25	11.25	10.75	—	—	—	8.81	2.56	2.98	4.50	2.00	
	260 x 102 x 70			273 x 60		—	76	210	286	273	—	—	224	65	76	114	51	—	
ED1PBX	3.50 x 4.00 x 3.75	30.5 mm	1	4.00 x 2.38	Dome	4.98	3.00	1.50	4.50	4.00	1.00	3.03	2.53	2.06	2.56	3.98	4.50	2.00	
	89 x 102 x 95			102 x 60		126	76	38	114	102	25	77	64	52	65	101	114	51	
ED1PBXM	3.50 x 4.00 x 3.75	22.5 mm	1	4.00 x 2.38	Dome	4.98	3.00	1.50	4.50	4.00	1.00	3.03	2.53	2.06	2.56	3.98	4.50	2.00	
	89 x 102 x 95			102 x 60		126	76	38	114	102	25	77	64	52	65	101	114	51	
ED2PBX	5.75 x 4.00 x 3.75	30.5 mm	2	6.25 x 2.38	Dome	4.98	3.00	3.75	6.75	6.25	1.00	3.03	4.78	4.31	2.56	3.98	4.50	2.00	
	146 x 102 x 95			159 x 60		126	76	95	171	159	25	77	121	109	65	101	114	51	
ED2PBXM	5.75 x 4.00 x 3.75	22.5 mm	2	6.25 x 2.38	Dome	4.98	3.00	3.75	6.75	6.25	1.00	3.03	4.78	4.31	2.56	3.98	4.50	2.00	
	146 x 102 x 95			159 x 60		126	76	95	171	159	25	77	121	109	65	101	114	51	
ED3PBX	8.00 x 4.00 x 3.75	30.5 mm	3	8.50 x 2.38	Dome	4.98	3.00	6.00	9.00	8.50	1.00	3.03	7.03	6.56	2.56	3.98	4.50	2.00	
	203 x 102 x 95			216 x 60		126	76	152	229	216	25	77	179	167	65	101	114	51	
ED3PBXM	8.00 x 4.00 x 3.75	22.5 mm	3	8.50 x 2.38	Dome	4.98	3.00	6.00	9.00	8.50	1.00	3.03	7.03	6.56	2.56	3.98	4.50	2.00	
	203 x 102 x 95			216 x 60		126	76	152	229	216	25	77	179	167	65	101	114	51	
ED4PBX	10.25 x 4.00 x 3.75	30.5 mm	4	10.75 x 2.38	Dome	4.98	3.00	8.25	11.25	10.75	1.00	3.03	9.25	8.81	2.56	3.98	4.50	2.00	
	260 x 102 x 95			273 x 60		126	76	210	286	273	25	77	235	224	65	101	114	51	
ED4PBXM	10.25 x 4.00 x 3.75	22.5 mm	4	10.75 x 2.38	Dome	4.98	3.00	8.25	11.25	10.75	1.00	3.03	9.25	8.81	2.56	3.98	4.50	2.00	
	260 x 102 x 95			273 x 60		126	76	210	286	273	25	77	235	224	65	101	114	51	
ED1PBM1	4.50 x 2.88 x 2.62	22.5 mm	1	5.00 x 1.12	Flat	—	—	—	—	—	—	—	—	—	—	—	—	2.78	
	114 x 73 x 67			127 x 29		—	—	—	—	—	—	—	—	—	—	—	—	—	—
ED1PBM2	3.50 x 4.00 x 3.75	22.5 mm	1	4.00 x 2.38	Flat	—	3.00	1.50	4.50	4.00	—	—	—	2.06	2.56	3.98	4.50	2.00	
	89 x 102 x 95			102 x 60		—	76	38	114	102	—	—	52	65	101	114	51	—	
ED2PBM	5.75 x 4.00 x 3.75	22.5 mm	2	6.25 x 2.38	Flat	—	3.00	3.75	6.75	6.25	—	—	—	4.31	2.56	3.98	4.50	2.00	
	146 x 102 x 95			159 x 60		—	76	95	171	159	—	—	109	65	101	114	51	—	
ED3PBM	8.00 x 4.00 x 3.75	22.5 mm	3	8.50 x 2.38	Flat	—	3.00	6.00	9.00	8.50	—	—	—	6.56	2.56	3.98	4.50	2.00	
	203 x 102 x 95			216 x 60		—	76	152	229	216	—	—	167	65	101	114	51	—	
ED4PBM	10.25 x 4.00 x 3.75	22.5 mm	4	10.75 x 2.38	Flat	—	3.00	8.25	11.25	10.75	—	—	—	8.81	2.56	3.98	4.50	2.00	
	260 x 102 x 95			273 x 60		—	76	210	286	273	—	—	224	65	101	114	51	—	

For dimensions of the ED1PB1 and ED1PBM1 enclosures, see catalog number A403DSC in Mild Steel: Screw Cover, Contoured, Type 4. "Y" dimension locates pushbutton hole.



NOTE:
 1. External mounting brackets are 14 gauge steel.
 2. These drawings do not apply to catalog numbers ED1PB1 and ED1PB1. For enclosure dimensions, see catalog number A403DSC in Mild Steel chapter, Screw Cover, Contoured, Type 4 (S-2927)



- | | | | |
|---------|---------|---------|---------|
| | | | |
| ED1PB1 | ED2PB | ED3PB | ED4PB |
| ED1PB2 | ED2PBX | ED3PBX | ED4PBX |
| ED1PBX | ED2PBM | ED3PBM | ED4PBM |
| ED1PBM1 | ED2PBXM | ED3PBXM | ED4PBXM |
| ED1PBXM | | | |

