

Switched Disconnects and Enclosures

NEMA 3/3R and 3R Disconnect Switches

"Suitable as Motor Disconnects"

Circuit-Lock® NEMA 3/3R Enclosures with Switch

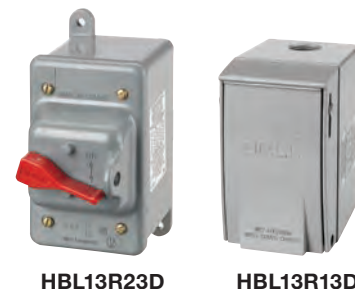
Ideal for use on outdoor equipment.

Amp	Poles	Enclosure Material	HP Rating				Catalog Number
			120V AC 1Ø	240V AC 3Ø	480V AC 3Ø	600V AC 3Ø	
30	2	Thermoplastic	2	5	10	15	HBL13R22D
30	3	Thermoplastic	3	7.5	15	20	HBL13R23D
30	2	Aluminum	2	5	10	15	HBL13R12D†
30	3	Aluminum	3	7.5	15	20	HBL13R13D†

Note: See page F-17 for technical information.

*Drill weephole to alter from NEMA 3 to NEMA 3R.

†Equipped with HBLFG30 sidewall insulation barriers.

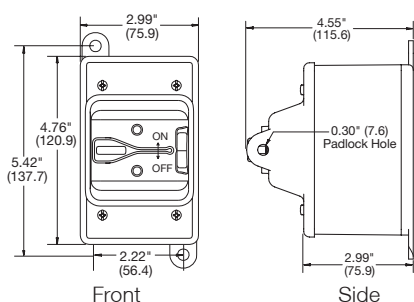


HBL13R23D

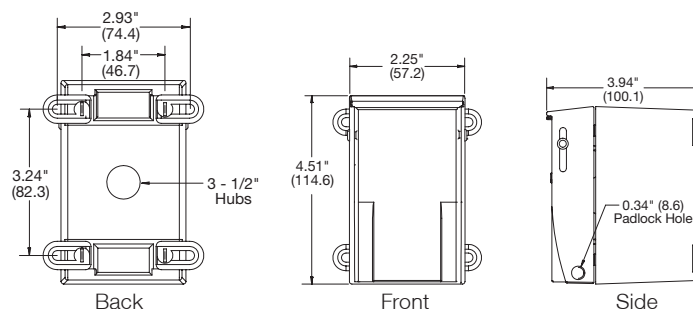
HBL13R13D

Dimensions

HBL13R22D and HBL13R23D



HBL13R12D and HBL13R13D



Circuit-Lock® NEMA 3R Enclosures with Switch

Ideal for use in outdoor environments.

Amp	Poles	Enclosure Material	HP Rating				Catalog Number
			120V AC 1Ø	240V AC 3Ø	480V AC 3Ø	600V AC 3Ø	
30	2	Aluminum	2	5	10	15	HBL13R92D
30	3	Aluminum	3	7.5	15	20	HBL13R89D
60	2	Aluminum	—	10	15	20	HBL16R92D
60	3	Aluminum	—	10	25	30	HBL16R93D

Note: For switch specifications refer to page F-17.



HBL13R89D

HBL16R93D

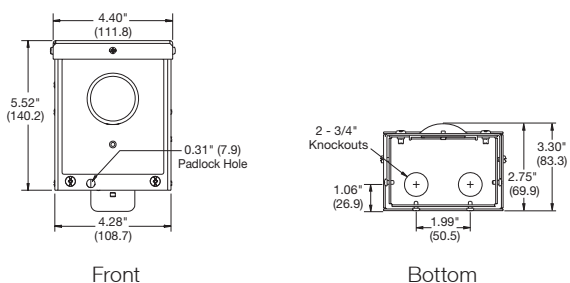
Circuit-Lock® NEMA 3R Enclosures without Switch

For use with switches shown on page F-17.

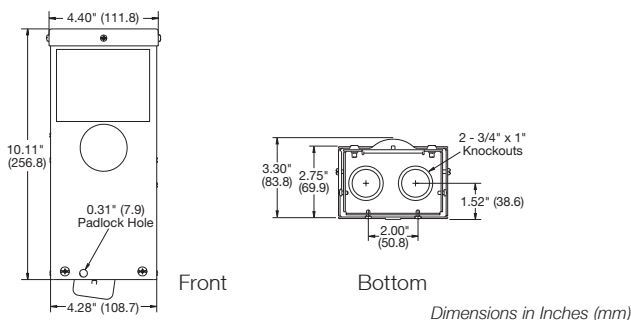
Description	Enclosure Material	Catalog Number
For use with 30A switch.	Aluminum	HBL13R90
For use with 60A switch.	Aluminum	HBL16R90

Dimensions

HBL13R90, HBL13R89D and HBL13R92D



HBL16R90, HBL16R92D and HBL16R93D

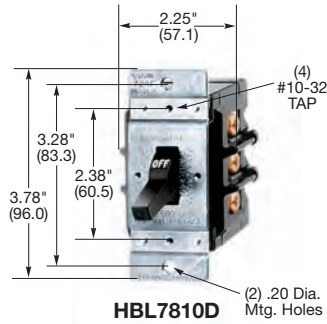


Dimensions in Inches (mm)

30 Ampere, 600 Volts AC Manual Motor Controllers

"Suitable as Motor Disconnect"

30A 600V AC Manual Motor Controllers, Double Pole



Description	Catalog Number
30A, double pole, single throw, AC manual motor controller, black nylon handle, side and back wired.	HBL7832D
30A, double pole, single throw, AC manual motor controller, black nylon handle, short toggle.	HBL7832DS
30A, double pole, single throw, AC manual motor controller. 50 piece bulk pack.	HBL7832DX
HBL7832D in HBL1390 Type 1 enclosure with non-metallic cover, ½ in. and ¾ in. knockouts on top, bottom and back of steel frame.	HBL1392D
HBL7832D in HBL1370 metal Type 1 enclosure.	HBL1372D
HBL7832D in NEMA 3R non-metallic enclosure.	HBL13R22D
HBL7832D in HBL13R90 metal Type 3R enclosure.	HBL13R92D
HBL7832D in NEMA 3R flip-lid enclosure.	HBL13R12D

Note: See page F-17 for technical information.

30A 600V AC Manual Motor Controllers, Three Pole

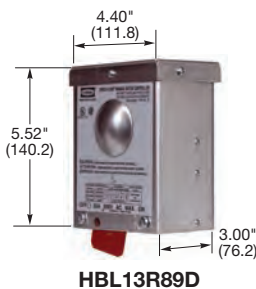
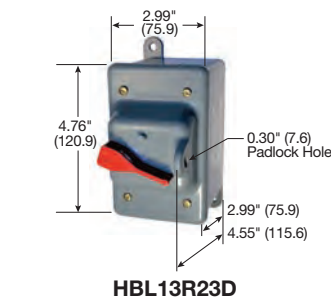
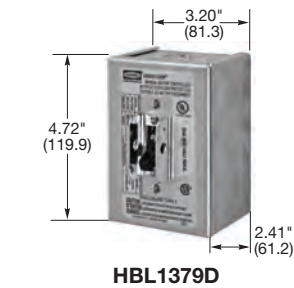
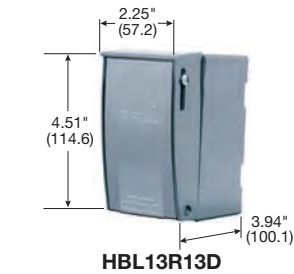


Description	Catalog Number
30A, three pole, single throw, AC manual motor controller, black nylon handle, side and back wired.	HBL7810D
30A, three pole, single throw, AC manual motor controller, black nylon handle, short toggle.	HBL7810DS
HBL7810D in HBL1390 Type 1 enclosure with non-metallic cover, ½ in. and ¾ in. knockouts on top, bottom and back of steel frame.	HBL1389D
HBL7810D in HBL1370 metal Type 1 enclosure.	HBL1379D
HBL7810D in NEMA 3R non-metallic enclosure.	HBL13R23D
HBL7810D in HBL13R90 metal Type 3R enclosure.	HBL13R89D
HBL7810D in NEMA 3R flip-lid enclosure.	HBL13R13D
30A, 600V, three pole, rotary controller in NEMA 4X stainless steel enclosure.	HBL13S33D
30A, 600V, three pole, rotary controller in NEMA 4X non-metallic enclosure.	HBL13X33D

Note: See page F-17 for technical information.

Motor Rating

Product	120V AC	240V AC	480V AC	600V AC	Phase
30A Double Pole	2HP	5HP	10HP	15HP	1
30A Three Pole	3HP	7½HP	15HP	20HP	3
40A Double Pole	2HP	5HP	10HP	15HP	1
40A Three Pole	3HP	7½HP	15HP	20HP	3
50A Double Pole	2HP	5HP	10HP	15HP	1
50A Three Pole	3HP	7½HP	15HP	25HP	3
60A Double Pole	-	10HP	15HP	20HP	1
60A Three Pole	-	10HP	25HP	30HP	3
85A Double Pole	-	10HP	15HP	20HP	1
85A Three Pole	-	10HP	25HP	40HP	3



Dimensions in Inches (mm)