

Twist-Lock® Devices  
 20A, 125V AC, 2 Pole, 3 Wire Grounding  
 Watertight Safety-Shroud® Flanged Inlet

# HUBBELL



## Features

- UL Type 4X Environmental seal protects connection while in use.
- One-piece, engineered thermoplastic housing is impact-resistant for heavy-duty industrial environments
- Alignment arrows and lock and unlock symbols provide a visual indication that devices are properly connected.
- Closure cap is included for environmental seal when device is not in use
- Catalog number and color-coded voltage rating are easily visible even when in use

## Ordering Information

| Description                 | Device Color | UPC          | Catalog Number |
|-----------------------------|--------------|--------------|----------------|
| Gray PBT housing and flange | Gray         | 783585231068 | HBL2315SW      |

## Listings

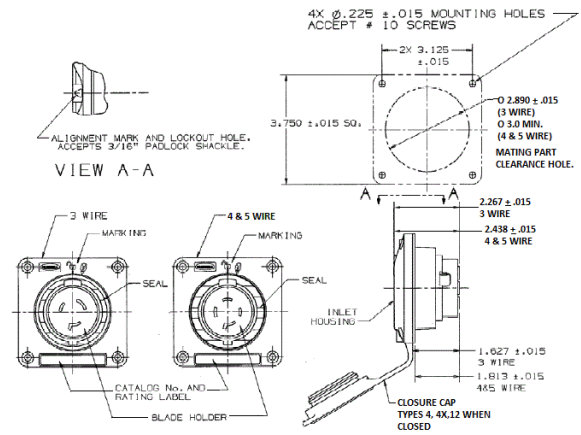
Listed to UL 498  
 Fed.Spec. W-C-596  
 Certified to CSA C22.2 No.42  
 UL Listed, CSA Certified to Type 4, 4X and Type 12

## Specifications

|                   |   |
|-------------------|---|
| Housing / Flange  | Gray PBT                                      |
| Terminal Retainer | Clear polycarbonate                           |
| Blades            | Brass   |
| Terminal Screws   | #10-32 Brass (Phillips / Slotted / Robertson) |
| Assembly Screws   | Stainless Steel                               |
| Mounting Screw    | Stainless Steel                               |

## Performance

|                         |  |
|-------------------------|--|
| <b>Electrical</b>       |  |
| Current Interrupting    | Certified for current interrupting at full rated current |
| Dielectric Voltage      | Withstands 2,000V minimum                                |
| <b>Mechanical</b>       |  |
| Terminal Accommodation  | #16 AWG - #8 AWG solid or stranded copper wire only.     |
| Terminal Identification | Terminals identified in accordance with UL 498           |
| <b>Environmental</b>    |  |
| Flammability            | V0 per UL94 or CSA 22.2 No.0.17                          |
| Moisture Resistance     | Type 4, 4X, 12, IP66 suitability                         |
| Operating Temperatures  | Maximum Continuous 75°C; Minimum -40°C (w/o impact)      |



## Accessories

|                                       |           |
|---------------------------------------|-----------|
| Watertight Safety Shroud Connector    | HBL2313SW |
| Non-Metallic Backbox                  | BB2030N   |
| 2-Gang Weatherproof Box Adapter Plate | HBL2030AP |

## Resources

Customer Use Drawing  
 eCatalog

Dimensions in Inches (mm)

Hubbell Wiring Device-Kellems • Hubbell Incorporated (Delaware) • 40 Waterview Drive • Shelton, CT 06484

Phone (800) 288-6000 • Fax (800) 255-1031 • Specifications subject to change without notice.

