

Hazlux® - Quick pole assembly

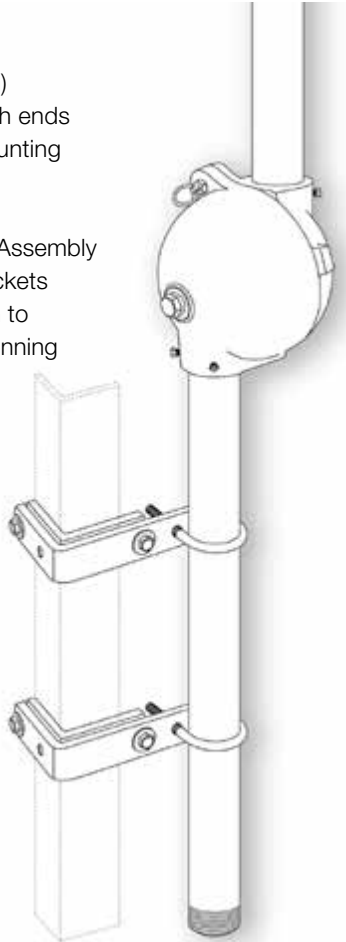
Standard kit & Retro kit

Type:	_____
Catalog #:	_____
Notes:	_____

Standard kit

- Overall height of 10' (3 m)
- 1-1/2" NPT treads at both ends
- Installed with two rail mounting brackets

1. Rotating Quick Knuckle Assembly
2. Angle Iron Mounting Brackets allowing the pole section to rotate before final positioning

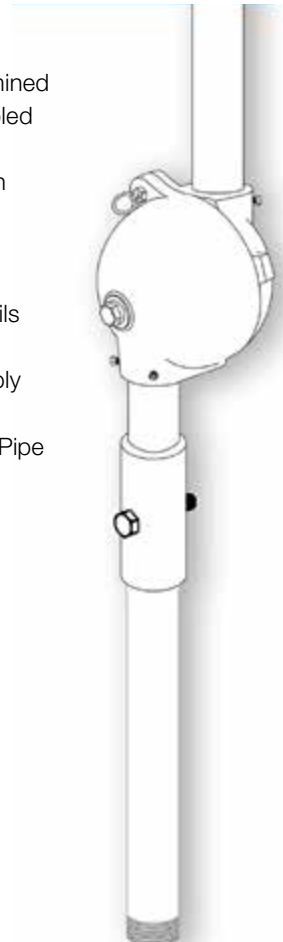


Q-P-5-10-N (2" O.D. Galvanised)
Q-P-A-5-10-N (Aluminum 2" ½ O.D.)
Standard Kit

Retrofit kit

- Overall maximum and predetermined height of 10' (3 m) once assembled
- Can be adapted to existing pole
- Upgrades existing assembly with quick and easy maintenance features
- See instruction sheets provided with product for installation details

1. Rotating Quick Knuckle Assembly
2. Tapered Adaptor, fits over Standard 1-1/4" or 1-1/2" NPT Pipe



RQ-P-5-10-N (2" O.D. Galvanised)
RQ-P-A-5-10-N (Aluminum O.D. 2" ½ O.D.)
Retrofit Kit

Safety first

- One person operation
- No ladders or lifts required
- Simplified maintenance
- Hot dipped galvanized steel and aluminum finishes
- Free's up catwalks and walkways during maintenance
- Epoxy coated finishes available
- Suitable for 180km/h winds as per AASHTO LTS-4 2001
- Steel pole treads are treated and protected to prevent galvanic reaction as per AASHTO LTS-4 2001
- CSA certified products

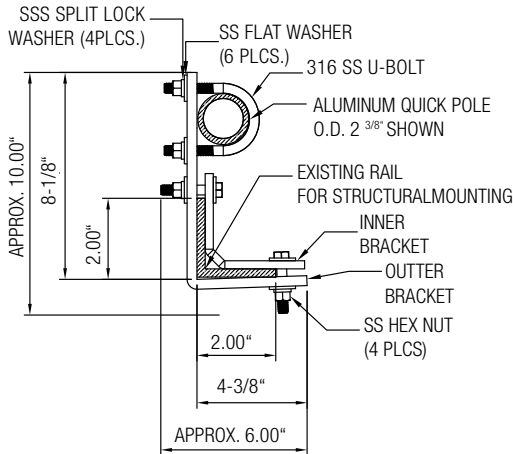


Hazlux® - Quick pole assembly Universal bracket kit

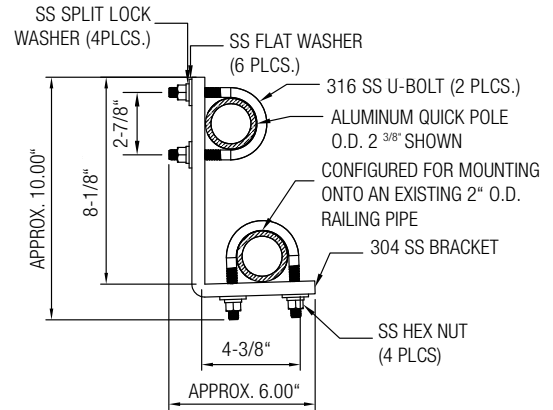
Type: _____
 Catalog #: _____
 Notes: _____

Stainless Steel (Aluminium Pole)

AMB-QPA-BKT-N
Bracket for
structural angle mounting

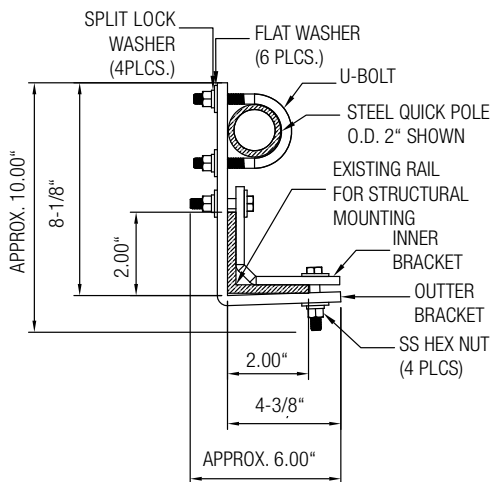


RMB-QPA-BKT-N
Bracket for
structural pole mounting

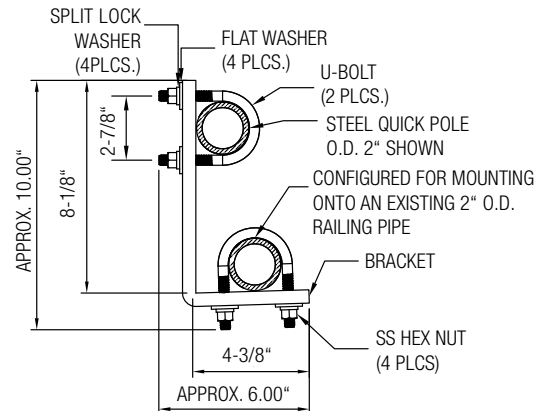


Galvanised Steel

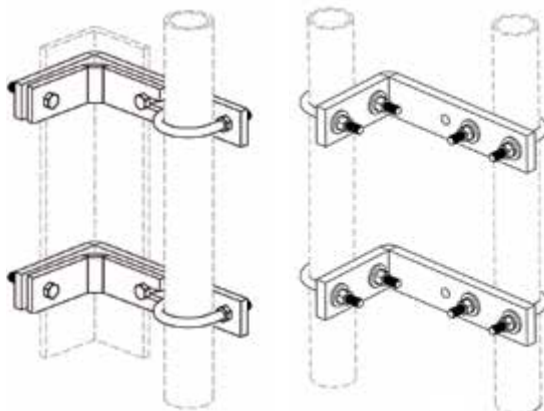
AMB-QP-BKT-N
Bracket for
structural angle mounting



RMB-QP-BKT-N
Bracket for
structural pole mounting



Quick bolt-on installation



Universal bracket kit

- Quick bolt-on installation, no welding or drilling
- Can be attached to angle iron guardrails up to 3"
- Supplied to be installed on tubular structures 2" O.D. or less but designed for up to 2-3/8" U-Bolt in both position
- Allows the pole sections to rotate before final positioning

