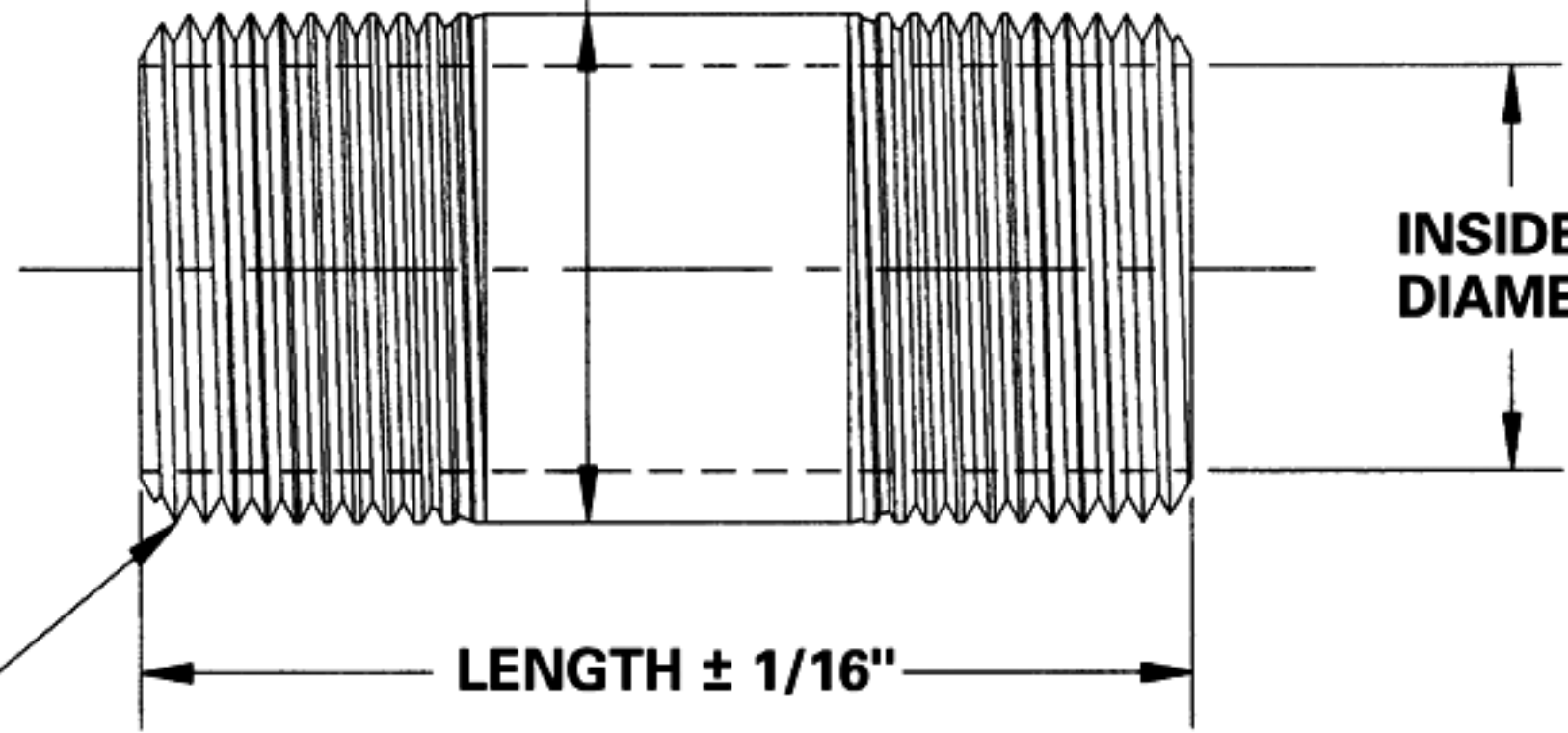


**OUTSIDE
DIAMETER**



**INSIDE
DIAMETER**

LENGTH ± 1/16"

**STANDARD NPT TAPERED PIPE THREADS
AS PER ANSI/ASME B1.20.1 SPECIFICATION.**