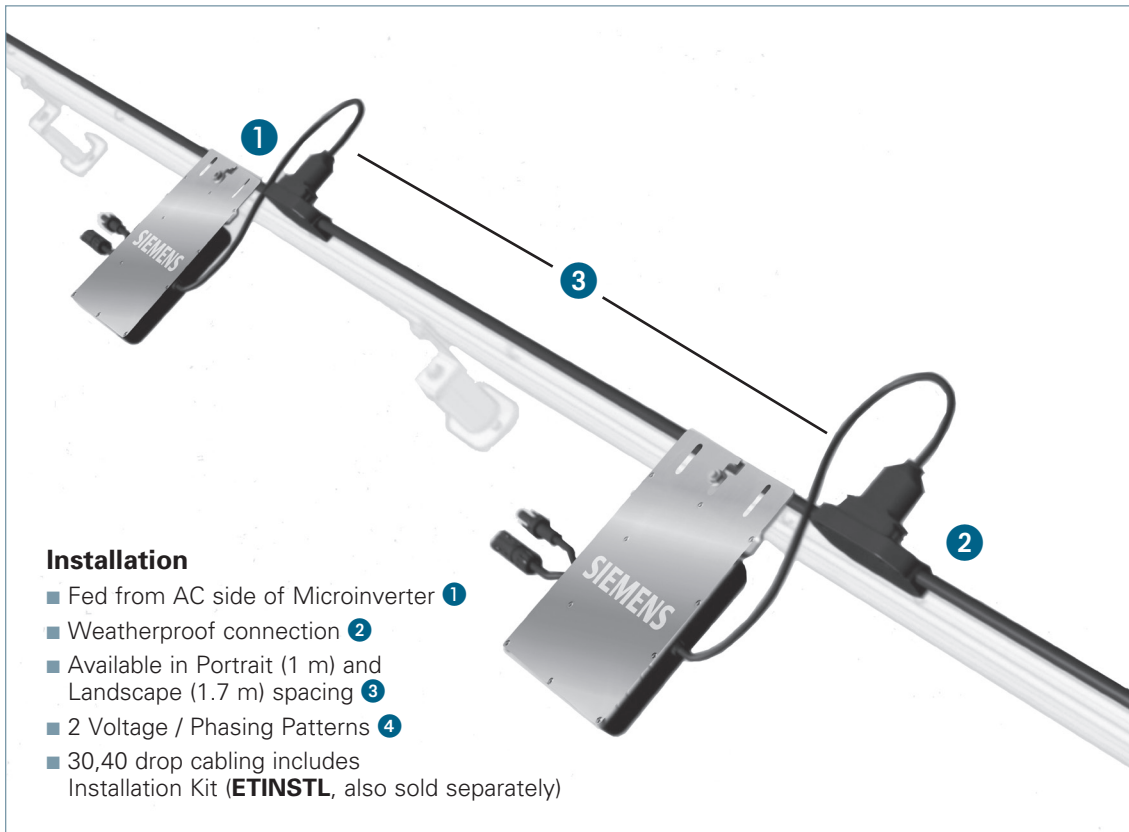


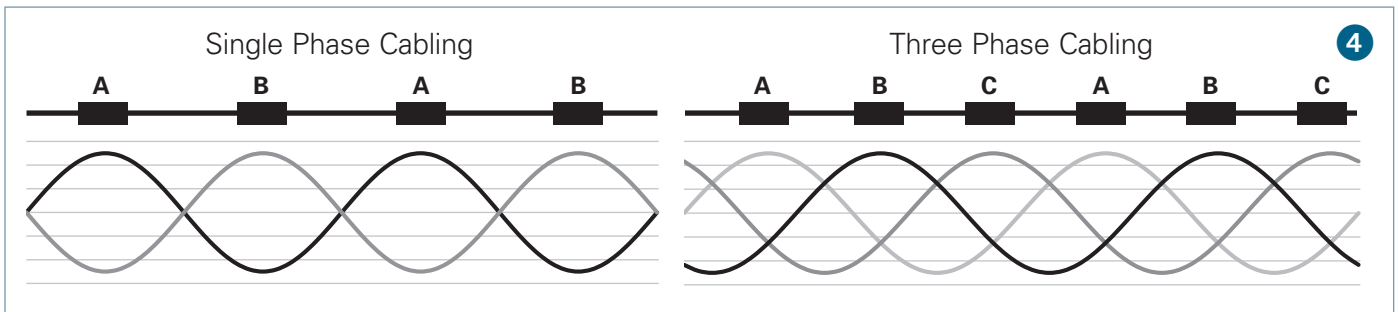
Renewable Energy Products

Microinverter Trunk and Drop Cabling



Installation

- Fed from AC side of Microinverter ①
- Weatherproof connection ②
- Available in Portrait (1 m) and Landscape (1.7 m) spacing ③
- 2 Voltage / Phasing Patterns ④
- 30,40 drop cabling includes Installation Kit (**ETINSTL**, also sold separately)



Trunk and Drop Cabling

Catalog #	Cable Type	Length (m)	Voltage Rating (V)	Phase	Number of Drops
ET1024040	Trunk & Drop	1	240	Single	40
ET10240BULK	Trunk & Drop	1	240	Single	240
ET1724040	Trunk & Drop	1.7	240	Single	40
ET17240BULK	Trunk & Drop	1.7	240	Single	240
ET1020830	Trunk & Drop	1	208	Three	30
ET10208BULK	Trunk & Drop	1	208	Three	240
ET1720830	Trunk & Drop	1.7	208	Three	30
ET17208BULK	Trunk & Drop	1.7	208	Three	240

Solar Accessories

Part Number	Description	Order Qty of 1 will Ship Qty below
US2:ETINSTL	Install Kit	1
US2:ETTERM10	Terminator, 5 Pole	10
US2:ETSPLK05	Splice Kit	5
US2:ETDISC05	Disconnect Tool	5
US2:ETSEAL10	IP67 Seal Cap for Splice Box	10
US2:ETCLIP100	Cable Clip	100
US2:ELCF120001	Line Communication Filter, 208/240V	1
US2:EPLC01	Power Line Carrier	2