



Residual current circuit-breaker, 80A, 4p, 3A, AC-Char

Part no. FI-80/4/03
Catalog No. 279209
Alternate Catalog No. FI-80-4-03

Similar to illustration

Delivery program

Basic function			Residual current circuit-breakers
Number of poles			4 pole
Rated current	I_n	A	80
Rated short-circuit strength	I_{cn}	kA	10
Rated fault current	$I_{\Delta N}$	A	0.3
Type			Type AC
Tripping		s...	non-delayed
Product range			FI
Sensitivity			AC current sensitive
Impulse withstand current			Partly surge-proof 250 A

Technical data

Electrical

Standards			IEC/EN 61008
Rated operational voltage	U_e	V	
	U_e	V AC	230/400

Mechanical

Standard front dimension		mm	45
Enclosure height		mm	80
Mounting			Top-hat rail IEC/EN 60715
Terminals top and bottom			Twin-purpose terminals
Terminal protection			Protection against electric shock to IEC 536
Thickness of busbar material		mm	0.8 ... 2

Design verification as per IEC/EN 61439

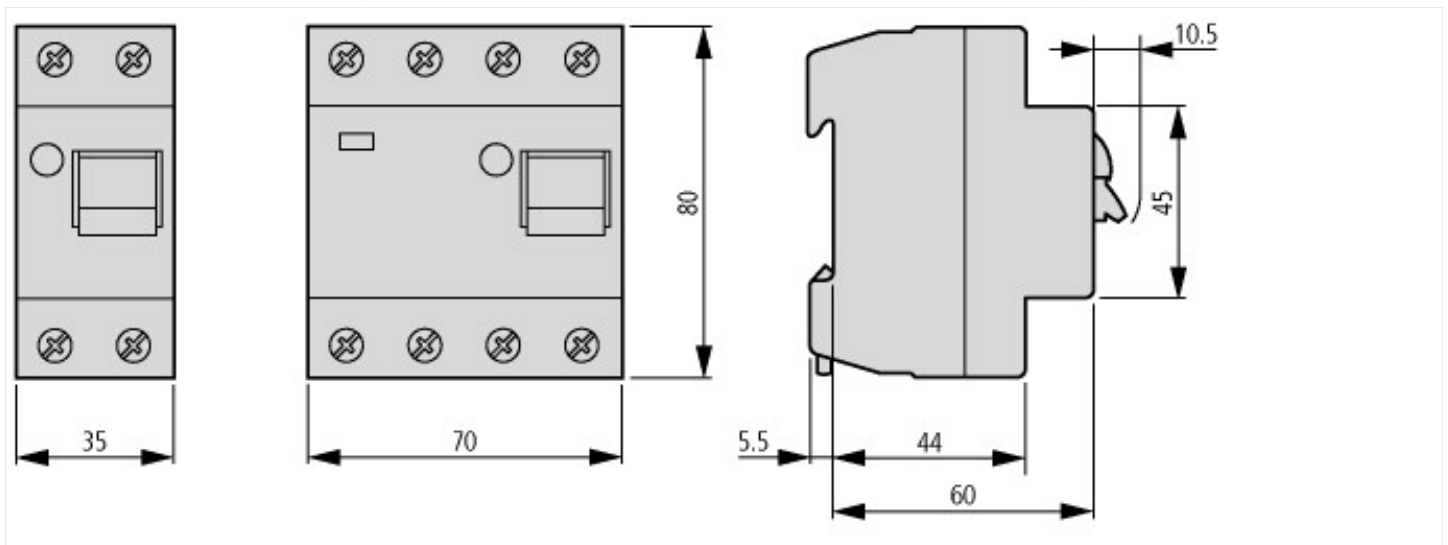
Technical data for design verification			
Rated operational current for specified heat dissipation	I_n	A	80
Heat dissipation per pole, current-dependent	P_{vid}	W	0
Equipment heat dissipation, current-dependent	P_{vid}	W	11.4
Static heat dissipation, non-current-dependent	P_{vs}	W	0
Heat dissipation capacity	P_{diss}	W	0
Operating ambient temperature min.		°C	-25
Operating ambient temperature max.		°C	60
Starting at 40 °C, the max. permissible continuous current decreases by 1.2% for every 1 °C			

Technical data ETIM 6.0

Circuit breakers and fuses (EG000020) / Residual current circuit breaker (RCCB) (EC000003)			
Electric engineering, automation, process control engineering / Electrical installation, device / Residual current protection system / Residual current circuit breaker (RCCB) (ecl@ss8.1-27-14-22-01 [AAB906011])			
Number of poles			4
Nominal rated voltage		V	400
Nominal rated current		A	80
Rated fault current		A	0.3

Mounting method		DIN rail
Leakage current type		AC
Selective protection		No
Short-circuit breaking capacity (Icw)	kA	10
Surge current capacity	kA	0.25
Frequency		50 Hz
Additional equipment possible		Yes
Degree of protection (IP)		IP20
Construction size (in accordance with DIN 43880)		1
Width in number of modular spacings		4
Built-in depth	mm	69.5
Short-time delayed tripping		No

Dimensions



Additional product information (links)

AWA1290-1756 Residual-current-circuit-breaker

AWA1290-1756 Residual-current-circuit-breaker

https://es-assets.eaton.com/DOCUMENTATION/AWA_INSTRUCTIONS/17560403.pdf