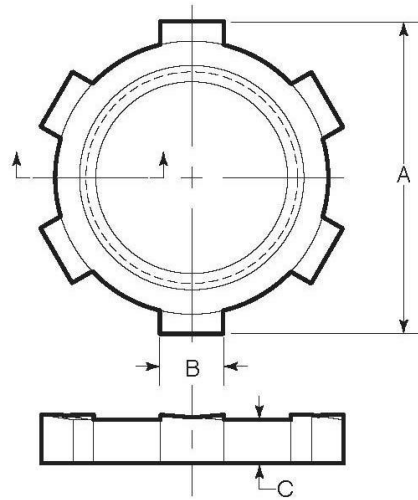
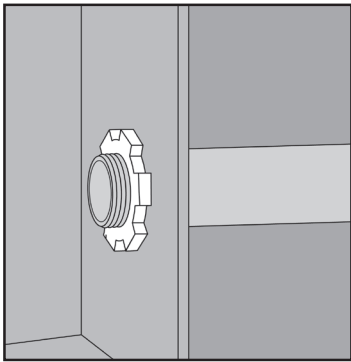


STAINLESS STEEL LOCKNUTS

APPLICATION



- Used to connect and secure threaded rigid conduit to an enclosure or outlet box
- Manufactured in stainless steel to help prevent corrosion
- Can be installed using ordinary hand tools and require little maintenance or repair
- Provided in a bright, polished finish that does not require touch up or painting



PRODUCT DETAILS

Material:

½" – 1": 316 SS

1¼" – 4": CF8M (316 SS)

Standards:

ASTM A240 (sizes ½" – 1");

ASTM A351 (sizes 1¼" – 4")

Country of Origin:

100% Made in USA

Part Number	Conduit Size	Weight/100 (lbs.)	Dimension (in.)		
			A	B	C
8050	½ in.	2	1.31	0.25	0.19
8075	¾ in.	4	1.61	0.31	0.22
8100	1 in.	6	1.86	0.38	0.26
8125	1-¼ in.	10	2.25	0.38	0.26
8150	1-½ in.	14	2.65	0.44	0.27
8200	2 in.	19	3.06	0.60	0.28
8250	2-½ in.	24	3.60	0.60	0.30
8300	3 in.	41	4.31	0.69	0.38
8400	4 in.	60	5.38	0.75	0.44

