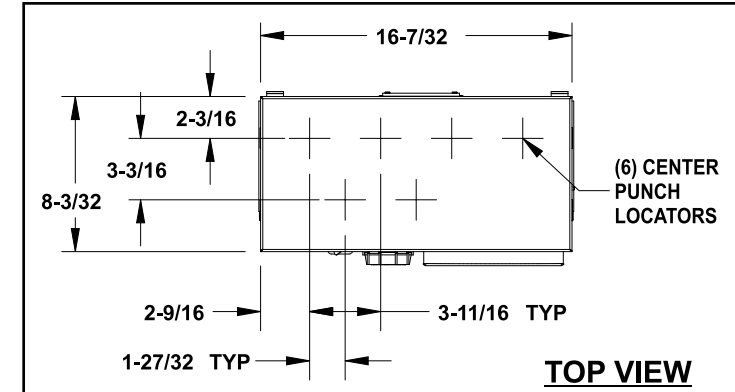
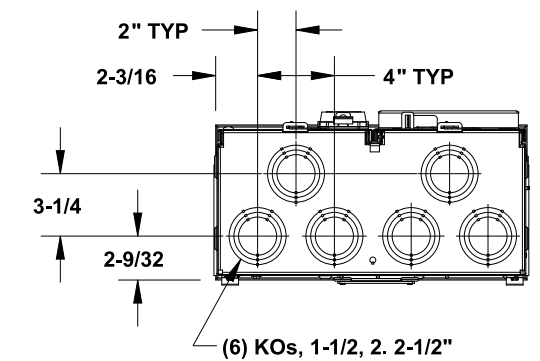
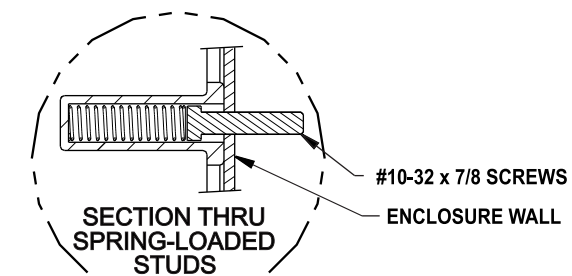
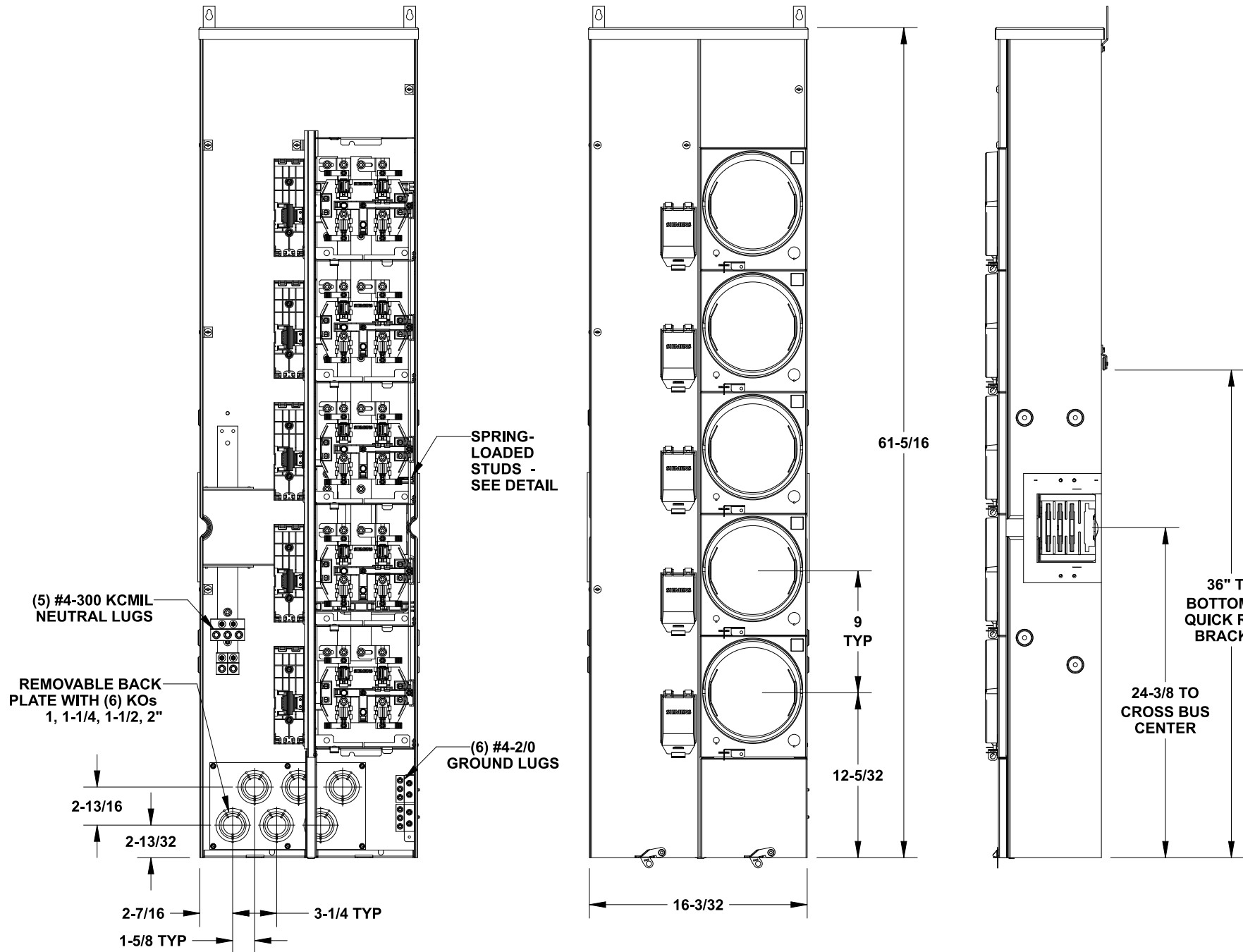


VIEW SHOWN WITHOUT COVER



Catalog Numbers, Features and Ratings

- MAIN BUS RATING: 1200 AMPS, 240V AC MAX.
- METER SOCKET RATING: 200 AMPS CONTINUOUS
- 100,000 AIC RATING MAX.
- BRANCH RATING: TOP 2 BRANCHES 200A MAX, BOTTOM 3 BRANCHES 225A MAX.
- 1 PHASE INPUT / 1 PHASE OUTPUT
- TYPE 3R OUTDOOR ENCLOSURE
- MOUNTING RAILS AND ADJUSTABLE BRACKETS FOR SECURE MOUNTING

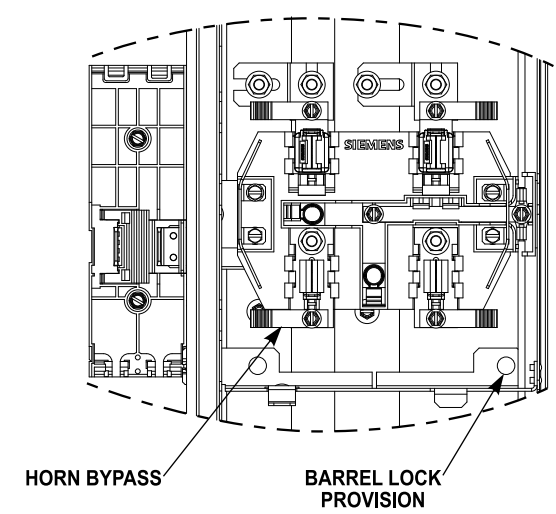
| Catalog No. | Main Bus | Meter Positions | Cover Type | 5th Jaw | Horn Bypass |
|-------------|----------|-----------------|------------|-----------|-------------|
| WMM51225 | 1 Phase | 5 | Ring | | |
| WMM51225R | 1 Phase | 5 | Ringless | | |
| WMM51225RB | 1 Phase | 5 | Ringless | | Installed |
| WMM51225J | 1 Phase | 5 | Ring | Installed | |
| WMM51225RJ | 1 Phase | 5 | Ringless | Installed | |
| WMM51225RJB | 1 Phase | 5 | Ringless | Installed | Installed |

Additional Modules

| Module Description | Siemens Series# |
|--------------------|----------------------------------|
| Main Breakers | (W)MC, WB, WEB, WXB |
| Switches | WMP, WMS, WS, WES |
| Tap/Terminal Boxes | WMTB, WTB, WET, WT PU |
| Pull Boxes | WMMB |
| Meter Module | (W)MM, WxMM, (W)MT, (W)ML, (W)MK |
| Meter Combinations | WC, WCL, WCT |
| Extension Box | WMEX, WSP, WSPD |
| Bussed Elbow | BE |

| Connect Modules Using: | Catalog Number / Torque |
|------------------------|---|
| QuickConnect | QC1, Torque 400-440 lb-in (35-36 ft.-lb.) |

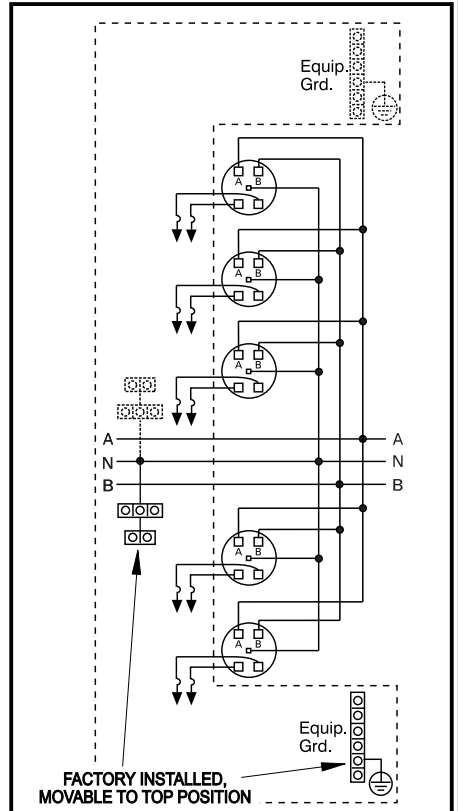
ENLARGED SOCKET DETAIL



Accessories

| Description | Catalog No. |
|--------------------------|-------------|
| Horn By-Pass Mod | ECMFH |
| End Closure Plate | WMEP |
| 5th Jaw Mod | ECMF5 |
| Meter Cover Plate | ECCP3 |
| Meter Socket | ECMFS |
| 225A Breaker Mounting | ECMFBM2 |
| Meter Cover, Ring Type | ECMFMC |
| Meter Cover, Ringless | ECMFMCR |
| Parts Kit | ECMFPK |
| Load Cover Screws | ECMFCS |
| Bottom Pull Cover | ECMFC |
| Mounting Rail | MMRAIL |
| Mounting Clip | MMCLIP |
| Quick Phase Strap | ECMFPS |
| Breaker Cover Repl. | ECBC |
| Mounting Tabs (2) | ECMFTAB |
| Ground Bar Kit | ECMFGN125 |
| Neutral Bar Kit 225A | ECMFN225 |
| Ringless Conversion Kit | ECMMLCK |
| Back Rail/Clip | ECMFWLCLIP |
| Wall Mounting Rail (60") | MMZR60 |
| QP Breaker Retainer | ECMBR2 |
| KO Plate with Knockouts | ECMMKOP |
| KO Plate w/o Knockouts | ECMMNKOP |

Schematic



WMM51225RB SHOWN

© 2014 Copyright Siemens Industry, Inc.

SIEMENS
Siemens Industry, Inc.

PowerMod™ Meter Stack

Catalog Numbers: **WMM51225, WMM51225R, WMM51225RB, WMM51225J, WMM51225RJ, WMM51225RJB**

Size B Dwg. No. **225A_1Ph_5Pos**

Dwn KAM Date 1/14/14 DO NOT SCALE DRAWING SHEET 1 OF 1