

USB port, 22 mm, metal shiny, silver



Product brand name	SIRIUS ACT
Product designation	USB port
Design of the product	USB 3.0
Product type designation	3SU1

Actuator	
Outer diameter of the actuating element	29.45 mm

General technical data	
Protection class IP	IP65

Ambient conditions	
Ambient temperature	
<ul style="list-style-type: none"> • during operation • during storage 	<p>-25 ... +70 °C</p> <p>-40 ... +80 °C</p>

Installation/ mounting/ dimensions	
Shape of the installation opening	round
Mounting diameter	22.3 mm
Mounting height	11.7 mm
Installation width	29.45 mm
Installation depth	28.35 mm

Accessories

Material of accessory	Metal
Color of accessory	Silver

Certificates/ approvals

General Product Approval

Declaration of Conformity



CSA



UL



UR



EG-Konf.

[Miscellaneous](#)

Test Certificates

Marine / Shipping

[Type Test Certificates/Test Report](#)



ABS



LRS



PRS



RINA



RMRS

Marine / Shipping

other

[Confirmation](#)



DNVGL.COM/AF

Further information

Information- and Downloadcenter (Catalogs, Brochures,...)

www.siemens.com/sirius/catalogs

Industry Mall (Online ordering system)

<https://mall.industry.siemens.com/mall/en/en/Catalog/product?mlfb=3SU1950-0GA80-0AA0>

Cax online generator

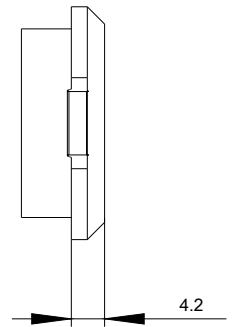
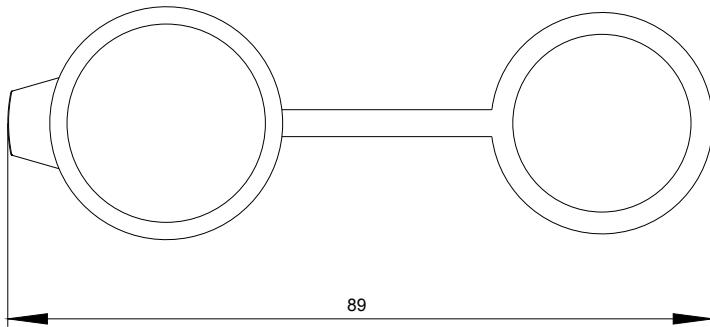
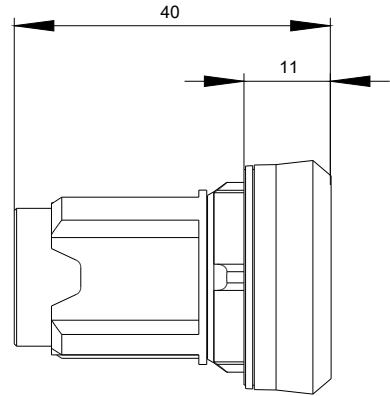
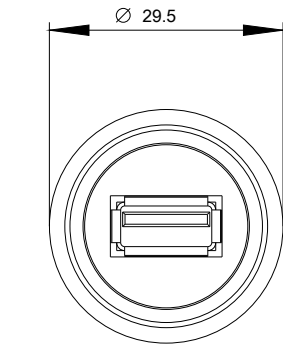
<http://support.automation.siemens.com/WW/CAXorder/default.aspx?lang=en&mlfb=3SU1950-0GA80-0AA0>

Service&Support (Manuals, Certificates, Characteristics, FAQs,...)

<https://support.industry.siemens.com/cs/ww/en/ps/3SU1950-0GA80-0AA0>

Image database (product images, 2D dimension drawings, 3D models, device circuit diagrams, EPLAN macros, ...)

http://www.automation.siemens.com/bilddb/cax_de.aspx?mlfb=3SU1950-0GA80-0AA0&lang=en



last modified:

10/30/2019