

Function module for AS-i, star-delta (wye-delta) start spring-type terminal, Installation on contactors 3RT2 Communication-capable contactor required



General technical data:		
Product brand name		Sirius
Product designation		function module
Design of the product		AS-i
Size of contactor can be combined company-specific		S00, S0, S2, S3
Protection class IP on the front		IP20
Degree of pollution		3
Insulation voltage with degree of pollution 3 rated value	V	690
Installation altitude at height above sea level maximum	m	2 000
Ambient temperature		
• during storage	°C	-40 ... +80
• during operation	°C	-25 ... +60
• during transport	°C	-40 ... +80
EMI immunity acc. to IEC 60947-1		ambience A (industrial sector)
EMC emitted interference acc. to IEC 60947-1		CISPR11, ambience A (industrial sector)
Conducted interference due to burst acc. to IEC 61000-4-4		2 kV network connection / 1 kV control connection

Conducted interference due to conductor-earth surge acc. to IEC 61000-4-5		1 kV
Conducted interference due to conductor-conductor surge acc. to IEC 61000-4-5		0.5 kV
Electrostatic discharge acc. to IEC 61000-4-2		8 kV
Field-bound parasitic coupling acc. to IEC 61000-4-3		10 V/m
Shock resistance		11g / 15 ms
Vibration resistance		10 ... 55 Hz / 0.35 mm
Reference identifier acc. to DIN 40719 extended according to IEC 204-2 acc. to IEC 750		K
Reference identifier acc. to DIN EN 61346-2		K
Suitability for use		
• direct starter		No
• star-delta starter		Yes
• reversing starter		No

Communication/ Protocol:

Product function		
• Bus communication		Yes
• Control circuit interface with AS interface		Yes

Control circuit/ Control:

Design of the surge suppressor		Varistor
Type of voltage of the control supply voltage		DC
Control supply voltage 1 at DC rated value	V	24

Installation/ mounting/ dimensions:

Mounting position		any
Mounting type		can be plugged into contactor
Width	mm	45
Height	mm	39
Depth	mm	75

Connections/ Terminals:

Product function removable terminal for auxiliary and control circuit		Yes
Type of electrical connection for auxiliary and control current circuit		spring-loaded terminals
Type of connectable conductor cross-sections		
• for auxiliary contacts		
— solid		1x (0.25 ... 1.5 mm ²), 2x (0.25 ... 1.5 mm ²)
— finely stranded		
— with core end processing		1x (0.25 ... 1.5 mm ²), 2x (0.25 ... 1.5 mm ²)
— without core end processing		1x (0.25 ... 1.5 mm ²), 2x (0.25 ... 1.5 mm ²)
• at AWG conductors for auxiliary contacts		2x (24 ... 16)

Certificates/ approvals:

Certificate of suitability

CE / UL / CSA

General Product Approval

Declaration of Conformity

Test Certificates



CSA



UL



EG-Konf.

[Miscellaneous](#)

[Type Test Certificates/Test Report](#)

Shipping Approval



ABS



BUREAU
VERITAS



LRS



PRS



RINA



RMRS

other

[Confirmation](#)



ASi

Further information

Information- and Downloadcenter (Catalogs, Brochures,...)

<http://www.siemens.com/industrial-controls/catalogs>

Industry Mall (Online ordering system)

<http://www.siemens.com/industrymall>

Cax online generator

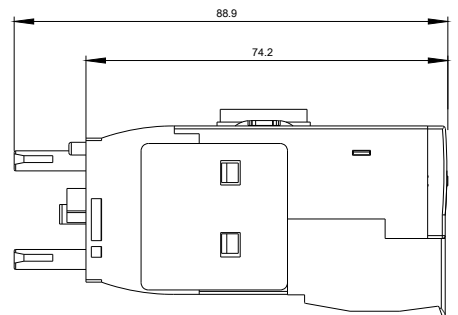
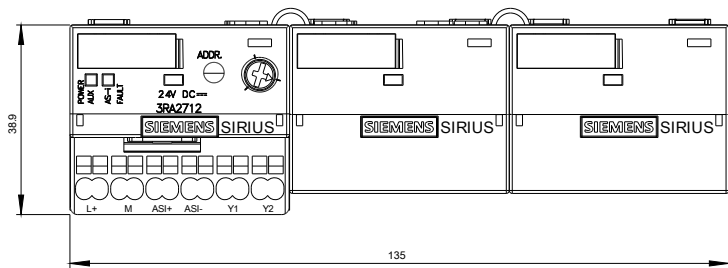
<http://support.automation.siemens.com/WW/CAXorder/default.aspx?lang=en&mfb=3RA2712-2CA00>

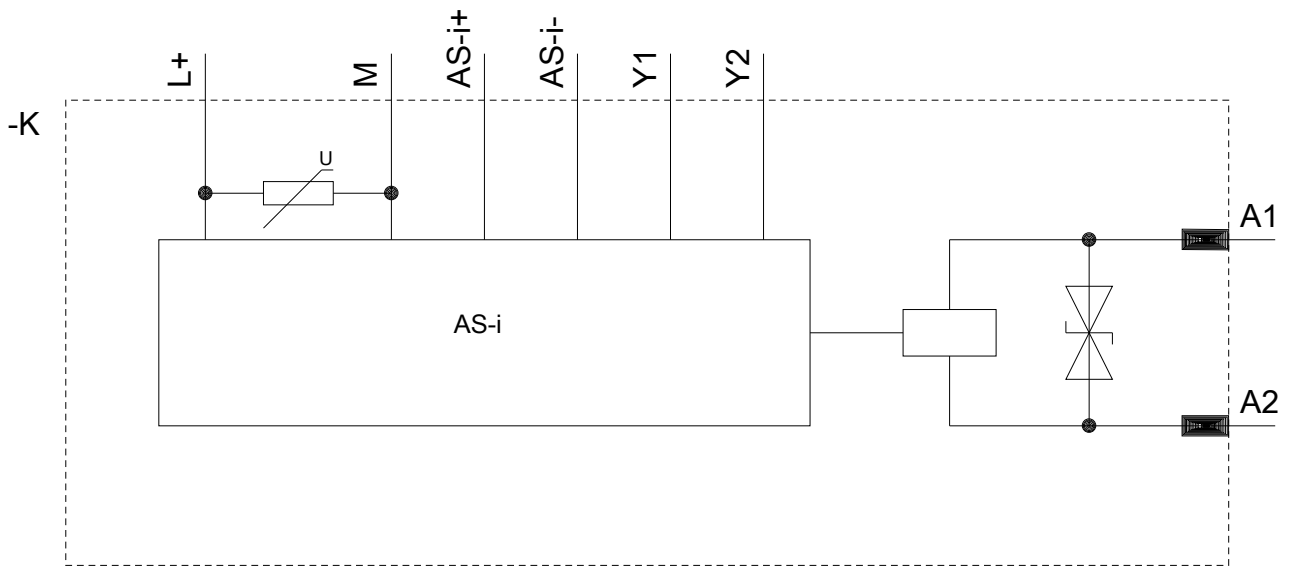
Service&Support (Manuals, Certificates, Characteristics, FAQs,...)

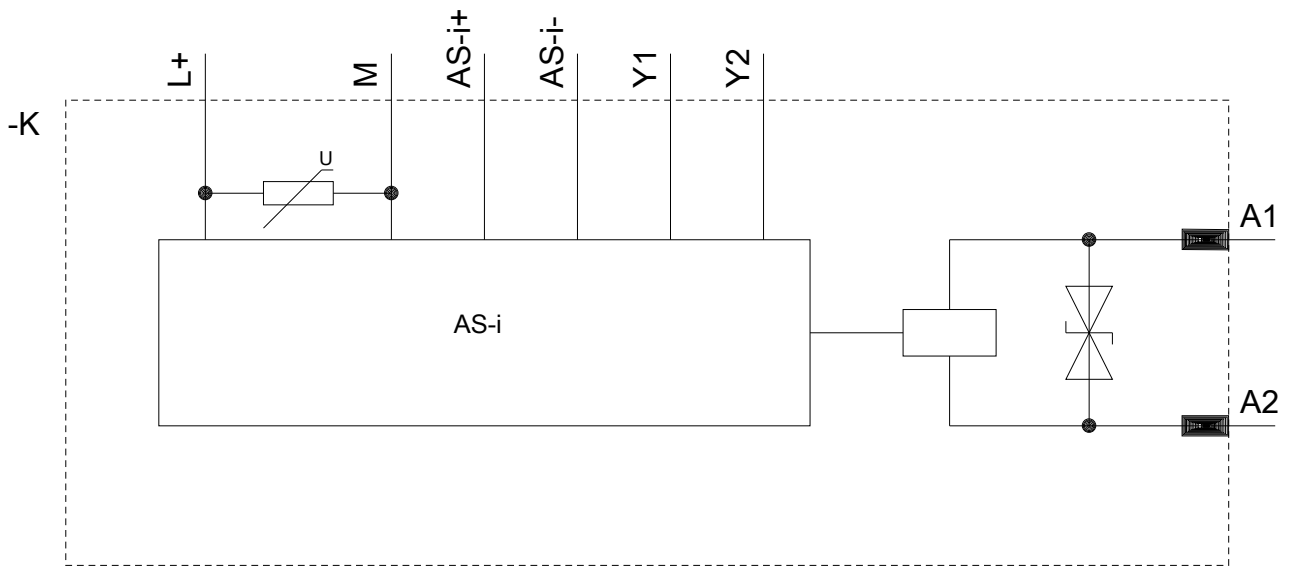
<https://support.industry.siemens.com/cs/ww/en/ps/3RA2712-2CA00>

Image database (product images, 2D dimension drawings, 3D models, device circuit diagrams, EPLAN macros, ...)

http://www.automation.siemens.com/bilddb/cax_de.aspx?mfb=3RA2712-2CA00&lang=en







last modified:

07/25/2019