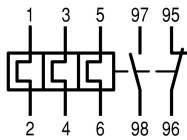




Overload relay, 35-175A, electronic, 1N/0+1N/C, +earth fault detection, separate mounting

Part no. ZEB150-175-GF/KK  
Article no. 164306  
Catalog No. XTOE175GGSS

## Delivery program

Product range			Electronic overload relays ZEB
Phase-failure sensitivity			IEC/EN 60947, VDE 0660 Part 102
Description			Test/off button Reset pushbutton Manual/auto reset selectable Protection with heavy starting duty (Class 10A-30)
Mounting type			Separate mounting
<b>Earth-fault protection</b>			
Earth-fault protection			with
Trip at approx.			> 0.5 x I <sub>r</sub> in 2 s > 1.5 x I <sub>r</sub> in 1 s
<b>Setting range</b>			
Overload releases	I <sub>r</sub>	A	35 - 175
Contact sequence			
<b>Auxiliary contacts</b>			
N/O = Normally open			1 N/O
N/C = Normally closed			1 N/C
For use with			DILM80 DILM95 DILM115 DILM150 DILM170 DIULM80 DIULM95 DIULM115 DIULM150 SDAINLM140 SDAINLM165 SDAINLM200 SDAINLM260

## Technical data

<b>General</b>			
Standards			IEC/EN 60947, VDE 0660, UL, CSA
Climatic proofing			Damp heat, constant, to IEC 60068-2-78 Damp heat, cyclic, to IEC 60068-2-30
Ambient temperature			
Open		°C	-25 - +65
Ambient temperature open max.		°C	65
Mechanical shock resistance		g	15 Shock duration 10 ms according to IEC 60068-2-27
Degree of Protection			IP20
Protection against direct contact when actuated from front (EN 50274)			Finger and back-of-hand proof

## Main conducting paths

Rated impulse withstand voltage	U <sub>imp</sub>	V AC	6000
Overvoltage category/pollution degree			III/3
Rated insulation voltage	U <sub>i</sub>	V AC	690
Rated operational voltage	U <sub>e</sub>	V AC	690

Rated frequency	f	Hz	50/60
Safe isolation to EN 61140			
Between auxiliary contacts and main contacts		V AC	600
Between main circuits		V AC	600
Terminal capacities		mm <sup>2</sup>	
Solid		mm <sup>2</sup>	1 x 10 - 95
Solid or stranded		AWG	1 x 8 - 4/0
Flat conductor	Lamellenzahl x Breite x Dicke	mm	6 x 18 x 0.8

### Auxiliary and control circuits

Rated impulse withstand voltage	U <sub>imp</sub>	V	6000
Overvoltage category/pollution degree			III/3
Terminal capacities		mm <sup>2</sup>	
Solid		mm <sup>2</sup>	2 x (0.75 - 4)
Flexible with ferrule		mm <sup>2</sup>	2 x (0.75 - 2.5)
Solid or stranded		AWG	2 x (18 - 12)
Terminal screw			M3.5
Tightening torque		Nm	0.8 - 1.2
Tightening torque		lb-in	7
Tools			
Pozidriv screwdriver		Size	2
Standard screwdriver		mm	1 x 6
Rated insulation voltage	U <sub>i</sub>	V AC	500
Rated operational voltage	U <sub>e</sub>	V AC	500
Safe isolation to EN 61140			
between the auxiliary contacts		V AC	240
Conventional thermal current	I <sub>th</sub>	A	5
Rated operational current	I <sub>e</sub>	A	
AC-15			
Make contact			
120 V	I <sub>e</sub>	A	1.5
220 V 230 V 240 V	I <sub>e</sub>	A	1.5
380 V 400 V 415 V	I <sub>e</sub>	A	0.5
500 V	I <sub>e</sub>	A	0.5
Break contact			
120 V	I <sub>e</sub>	A	1.5
220 V 230 V 240 V	I <sub>e</sub>	A	1.5
380 V 400 V 415 V	I <sub>e</sub>	A	0.9
500 V	I <sub>e</sub>	A	0.8
DC-13 L/R - 15 ms			
24 V	I <sub>e</sub>	A	0.9
60 V	I <sub>e</sub>	A	0.75
110 V	I <sub>e</sub>	A	0.4
220 V	I <sub>e</sub>	A	0.2
Short-circuit rating without welding			
max. fuse		A gG/gL	6

### Design verification as per IEC/EN 61439

Technical data for design verification			
Rated operational current for specified heat dissipation	I <sub>n</sub>	A	175
Heat dissipation per pole, current-dependent	P <sub>vid</sub>	W	11.86
Equipment heat dissipation, current-dependent	P <sub>vid</sub>	W	35.6
Static heat dissipation, non-current-dependent	P <sub>vs</sub>	W	0

Heat dissipation capacity	P <sub>diss</sub>	W	0
Operating ambient temperature min.		°C	-25
Operating ambient temperature max.		°C	65
IEC/EN 61439 design verification			
10.2 Strength of materials and parts			
10.2.2 Corrosion resistance			Meets the product standard's requirements.
10.2.3.1 Verification of thermal stability of enclosures			Meets the product standard's requirements.
10.2.3.2 Verification of resistance of insulating materials to normal heat			Meets the product standard's requirements.
10.2.3.3 Verification of resistance of insulating materials to abnormal heat and fire due to internal electric effects			Meets the product standard's requirements.
10.2.4 Resistance to ultra-violet (UV) radiation			Meets the product standard's requirements.
10.2.5 Lifting			Does not apply, since the entire switchgear needs to be evaluated.
10.2.6 Mechanical impact			Does not apply, since the entire switchgear needs to be evaluated.
10.2.7 Inscriptions			Meets the product standard's requirements.
10.3 Degree of protection of ASSEMBLIES			Does not apply, since the entire switchgear needs to be evaluated.
10.4 Clearances and creepage distances			Meets the product standard's requirements.
10.5 Protection against electric shock			Does not apply, since the entire switchgear needs to be evaluated.
10.6 Incorporation of switching devices and components			Does not apply, since the entire switchgear needs to be evaluated.
10.7 Internal electrical circuits and connections			Is the panel builder's responsibility.
10.8 Connections for external conductors			Is the panel builder's responsibility.
10.9 Insulation properties			
10.9.2 Power-frequency electric strength			Is the panel builder's responsibility.
10.9.3 Impulse withstand voltage			Is the panel builder's responsibility.
10.9.4 Testing of enclosures made of insulating material			Is the panel builder's responsibility.
10.10 Temperature rise			The panel builder is responsible for the temperature rise calculation. Eaton will provide heat dissipation data for the devices.
10.11 Short-circuit rating			Is the panel builder's responsibility. The specifications for the switchgear must be observed.
10.12 Electromagnetic compatibility			Is the panel builder's responsibility. The specifications for the switchgear must be observed.
10.13 Mechanical function			The device meets the requirements, provided the information in the instruction leaflet (IL) is observed.

## Technical data ETIM 6.0

Low-voltage industrial components (EG000017) / Electronic overload relay (EC001080)			
Electric engineering, automation, process control engineering / Low-voltage switch technology / Overload protection device / Electronic overload relay (ec1@ss8.1-27-37-15-02 [AKF076011])			
Adjustable current range		A	0 - 175
Mounting method			Separate positioning
Type of electrical connection of main circuit			Screw connection
Number of auxiliary contacts as normally closed contact			1
Number of auxiliary contacts as normally open contact			1
Number of auxiliary contacts as change-over contact			0
Rated control supply voltage U <sub>s</sub> at AC 50HZ		V	0 - 0
Rated control supply voltage U <sub>s</sub> at AC 60HZ		V	0 - 0
Rated control supply voltage U <sub>s</sub> at DC		V	0 - 0
Release class			Adjustable
Voltage type for actuating			Selfsupplied

## Approvals

Product Standards			UL 508; CSA-C22.2 No. 14; IEC/EN 60947-4-1; CE marking
UL File No.			E1230
UL Category Control No.			NKCR
CSA File No.			2290956
CSA Class No.			3211-03
North America Certification			UL listed, CSA certified
Specially designed for North America			No
Suitable for			Branch circuits

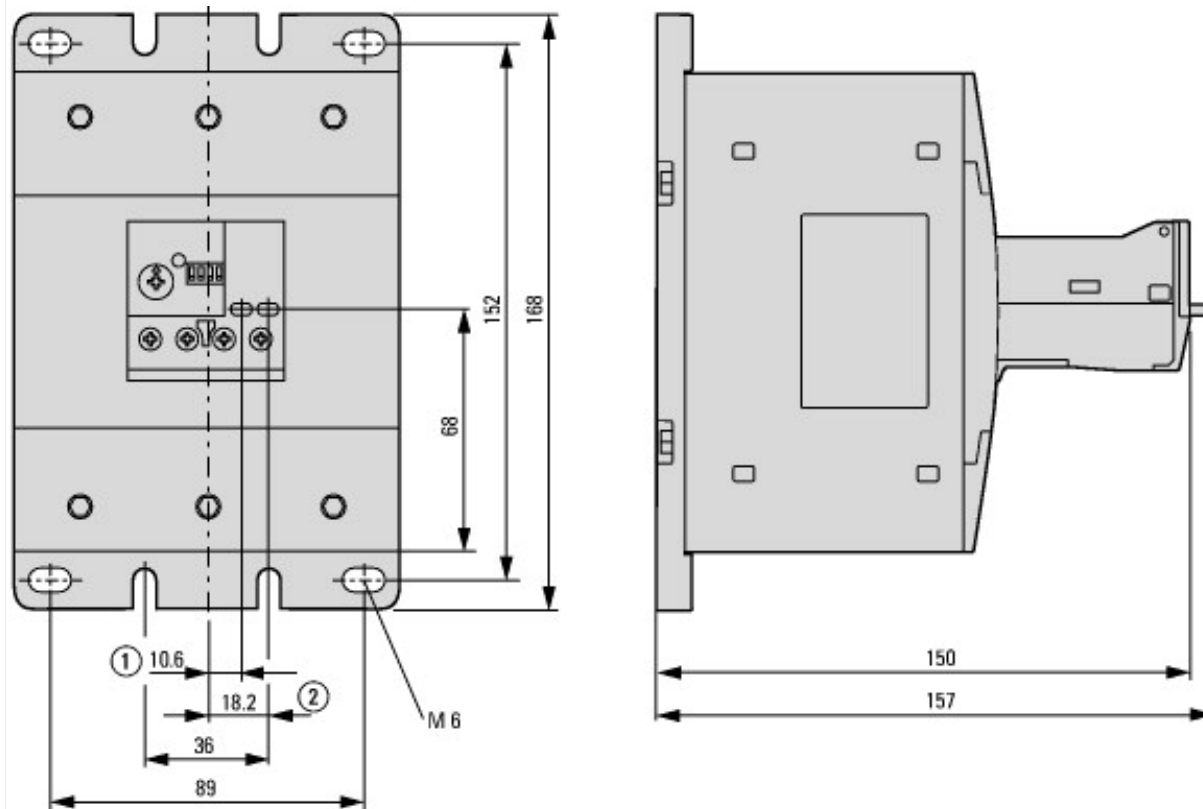
Max. Voltage Rating

600 V AC

Degree of Protection

IEC: IP20, UL/CSA Type: -

## Dimensions



① RESET

② TRIP/TEST

## Additional product information (links)

**IL04210002E Solid-state motor protection relay**

IL04210002E Solid-state motor protection relay [ftp://ftp.moeller.net/DOCUMENTATION/AWA\\_INSTRUCTIONS/IL04210002E2012\\_06.pdf](ftp://ftp.moeller.net/DOCUMENTATION/AWA_INSTRUCTIONS/IL04210002E2012_06.pdf)