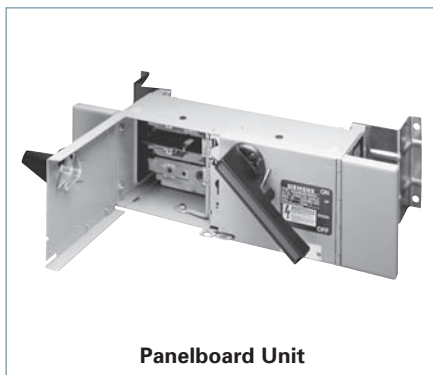


Base Mount



VBFS361



Panelboard Unit

contents

Compact Non-Fusible Switches

Rotary and Toggle Switch—Selection	5-2 – 5-4
Dimensions and Wire Ranges	5-5

Type VBII (30-600A)

Features and Ordering Information	5-6
Switch and Handle Selection	5-7
Accessories	5-8 – 5-9
Dimensions and Lug Wire Ranges	5-10

Type MCS (30-200A)

Switches, Fuse, and No Fuse Kit—Selection	5-11
Handle Operators and Accessories	5-12

Type CFS Compact Fusible Switches

Features and Ordering Information	5-13
Switch and Handle—Selection	5-14
Accessories & 600-800 Handle Selection	5-15
Dimensions and Technical Characteristics	5-16

Type VB Panelboard Units

General and Withstand Ratings	5-17
Catalog Numbering System	5-18
Vacu-Break Fusible Units—Selection	5-19 – 5-20
Accessories	5-21

Type HCP Switchboard Units

Selection/Accessories	5-22
Dimensions	5-23
Type TFP Fusible Pullouts—Selection/Dimensions	5-24

Scan to connect online to the most up-to-date version of this Section of SPEEDFAX.



Disconnect Switches

Compact Non-Fusible — Rotary and Toggle

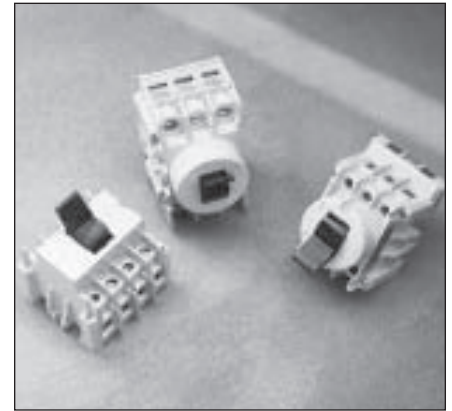
Selection

Features

- 16–250 Ampere, to 100 hp, 480V & 600V
- Rotary and Toggle actuation models
- LBR Type switches are padlockable in the OFF position and are UL & CUL listed under File No. E191706 as manual motor controllers per UL Standard UL508
- 3LD2 Type switches are padlockable in the OFF position and are UL listed under File No. E47705 per UL508 and are CSA certified under File No. 203576
- Base, DIN-rail and door mounting
- Multiple conductor, distribution terminal type rating LBR & LBT Type (40A -100A only)
- IEC 947-1 rated, CE marked
- Listed and marked “suitable as motor disconnect” per NEC Section 430-109



Type LBR Rotary Switches



Type LBT Toggle Switches

Application

Siemens Load Break Switches are listed as manual motor controllers and are suitable as motor disconnects. They are load break rated and act as enclosure disconnects when short circuit protection is provided upstream of the switch. If upstream over current protection is not provided, use a Siemens fusible Type VBII, CFS or MCS Disconnect Switch.



3LD2254-0TK51

Base/DIN Rail Mounted Switches (Rotary or Toggle Type) — Order individual components as follows:

Toggle — Order the LBT switch required and a toggle switch cover plate if needed.

Rotary, Base Mounted with Door Mounted Handle — Order “LBR” switch + door mounted handle + shaft + any accessories.

Rotary, Base Mounted with Direct Mounted Handle — Order “LBR” switch + direct mounted handle.

Short Circuit Withstand Ratings

Switch Rating & Type	Max. Line Side Fuse Rating
----------------------	----------------------------

5kA with Line Side Class H, K, or RK5 Fuses

25 & 32A 3LD2	80A Max. at 600V AC Max.
63A 3LD2	175A Max. at 600V AC Max.

10kA with Line Side Class H, K, or RK5 Fuses^①

25A LBR	30A Max. at 480V AC Max.
40A, 4P LBR & LBT	60A Max. at 480V AC Max.
40 & 60A, 3P LBR & LBT	100A Max. at 480V AC Max.
80 & 100A LBR & LBT	150A Max. at 480V AC Max.

18kA with Line Side Class J, T, or CC Fuses

40–100A, 3P LBR & LBT	100A Max. at 480V AC Max.
-----------------------	---------------------------

Note: 3LD2 switches are also rated 5kA at 600V AC Max. when protected by a 3RV motor starter with a FLA rating equal to or less than the switch ampere rating.

Ordering Information

Door Mounted Switches (Rotary Type Only) — Order either complete “3LD2” assemblies or individual “LBR” components as follows:

Complete Assemblies include switch, handle, and shaft. Certain 25 and 32A assemblies are also available with factory installed neutral blocks and/or aux. contacts. These accessories can also be ordered as field installed kits.

Individual Components are ordered as follows:

25A — LBR Switch + LBRH3 or 4 handle.

40–100A — LBR switch + LBRH3 or 4 handle + LBRD1.

Notes: (LBR Type switches only)

1. Aux contacts are available as field installed kits on 25A units only.
2. Lugs on 25A units face to the rear and lugs on 40–100A units face toward the front.

Door Mounted Complete Assemblies (Operator, Shaft, & Switch) 600V AC Max.^②

Shaft Mounted Catalog Number ^③	4 Hole Mounted Catalog Number ^③	Number of Poles	Ampere Rating	AC Horsepower Ratings				
				120V 1Ø	240V 1Ø 3Ø	480V 3Ø	600V 3Ø	
—	3LD2003-1TP53 ^①	3	16	½	1½ 3	7½	10	
3LD2154-0TK 3LD2154-1TP 3LD2154-1TL 3LD2154-2EP	3LD2103-0TK 3LD2103-1TP 3LD2103-1TL 3LD2103-2EP	3 3 ^① 3 + N 3 + N ^①	25	2	3	7½	10	15
3LD2254-0TK 3LD2254-1TL	3LD2203-0TK 3LD2203-1TL	3 3 + N	32	2	3	10	20	20
3LD2555-0TK	3LD2504-0TK	3	63	—	10	15	40	50
—	3LD2704-0TK	3	100	—	—	30	60	75
—	3LD2804-0TK	3	125	—	—	40	75	100

① Includes auxiliary contacts (1 NO and 1 NC).

② Handles are IP65 rated and are also UL listed for Type 1, 4X and 12 applications.

③ Add 51 for a black handle or 53 for a red & yellow handle to the end of the catalog number.

④ 100-250A 3LD2 switches are rated 10kA when protected by 200A Max. Class RK5 fuses.

Disconnect Switches

Compact Non-Fusible — Rotary and Toggle

Selection

3LD Type Base Mounted Complete Assemblies

(Operator, Shaft, & Switch) 600V AC Max.②

Handle mounting②			Number of Poles	Ampere Rating	AC Horsepower Ratings				
Shaft (center hole)	4 Hole (no defeat)	4 Hole (with defeat)			120V	240V	480V	600V	
Catalog Number	Catalog Number	Catalog Number		1Ø	1Ø	3Ø	3Ø	3Ø	
—	3LD2013-0TK5_—	3LD2017-0TK1 3LD2017-1TL1	3 3 + N	16	½	1½	3	7½	10
3LD2144-0TK5 3LD2144-1TL5	3LD2113-0TK5 3LD2113-1TL5	—	3 3 + N	25	2	3	7½	10	15
3LD2244-0TK5 3LD2244-1TL53	3LD2213-0TK5 3LD2213-1TL53	3LD2217-0TK1 3LD2217-1TL1	3 3 + N	32	2	3	10	20	20
3LD2545-0TK5 —	3LD2514-0TK5 —	3LD2517-0TK1 3LD2517-1TL1	3 3 + N	63	3	10	15	40	50
—	3LD2714-0TK5	—	3	100	—	—	30	60	75
—	3LD2814-0TK5	—	3	125	—	—	40	75	100
—	3LD2318-0TK1	—	3	160	—	—	40	75	75
—	3LD2418-0TK1	—	3	250	—	—	50	100	75

Accessories for Front Mounted 3LD2 Switches

Catalog Number	Description	Switches Used With
3LD9200-5B③ 3LD9200-5BF③	1 NO, 1 NC Aux. Contact 1 NO, 1 NC Aux. with Gold Plated Contacts	25-125A 25-125A
3LD9220-2B 3LD9250-2BA 3LD9280-2B	Neutral/Ground Terminal Neutral/Ground Terminal Neutral/Ground Terminal	25 & 32A 63A 100 & 125A
3LD9220-0B 3LD9250-0BA 3LD9280-0B	4th Pole (leading ON, lagging OFF) 4th Pole (leading ON, lagging OFF) 4th Pole (leading ON, lagging OFF)	25 & 32A 63A 100 & 125A
3LD9224-1B① 3LD9284-1B① 3LD9224-3B① 3LD9284-3B①	Black Handle (4 hole mtg.) Black Handle (4 hole mtg.) Red/Yellow Handle (4 hole mtg.) Red/Yellow Handle (4 hole mtg.)	25 & 32A 63-125A 25 & 32A 63-125A
3LD9224-1D① 3LD9284-1D① 3LD9224-3D① 3LD9284-3D①	Black Handle (shaft mtg.)④ Black Handle (shaft mtg.)④ Red/Yellow Handle (shaft mtg.)④ Red/Yellow Handle (shaft mtg.)④	25 & 32A 63-125A 25 & 32A 63-125A
3LD9221-2A① 3LD9221-0A① 3LD9251-0A①	Terminal Cover 1P (Pack of 4) Terminal Cover 3P (Pack of 4) Terminal Cover 3P (Pack of 4)	25 & 32A 25 & 32A 63A

Accessories for Base Mounted 3LD2 Switches

3LD9200-5C③ 3LD9200-5CF③	1 NO, 1 NC Aux. Contact 1 NO, 1 NC Aux. with Gold Plated Contacts	25-250A 25-250A
3LD9220-2C 3LD9250-2CA 3LD9280-2C 3LD9240-2C	Neutral/Ground Terminal Neutral/Ground Terminal Neutral/Ground Terminal Neutral/Ground Terminal	25 & 32A 63A 100 & 125A 160 & 250A
3LD9220-0C 3LD9250-0CA 3LD9280-0C 3LD9240-0C	4th Pole (leading ON, lagging OFF) 4th Pole (leading ON, lagging OFF) 4th Pole (leading ON, lagging OFF) 4th Pole (leading ON, lagging OFF)	25 & 32A 63A 100 & 125A 160 & 250A
3LD9224-1B① 3LD9284-1B① 3LD9224-3B① 3LD9284-3B①	Black Handle (4 hole mtg. no defeat) Black Handle (4 hole mtg. no defeat) Red/Yellow Handle (4 hole mtg. no defeat) Red/Yellow Handle (4 hole mtg. no defeat)	25 & 32A 63-125A 25 & 32A 63-125A
3LD9224-1D① 3LD9284-1D① 3LD9224-3D① 3LD9284-3D①	Black Handle (shaft mtg.) Black Handle (shaft mtg.) Red/Yellow Handle (shaft mtg.) Red/Yellow Handle (shaft mtg.)	25 & 32A 63-125A 25 & 32A 63-125A
3LD9221-2A① 3LD9221-0A① 3LD9251-0A①	Terminal Cover 1P (Pack of 4) Terminal Cover 3P (Pack of 4) Terminal Cover 3P (Pack of 4)	25 & 32A 25 & 32A 63A

① Handles and line side terminal covers are supplied as standard with 3LD2 switches.

② Add suffix 1 for a black or 3 for a red & yellow handle to the catalog number (except 3LD2244-1TL53 & 3LD2213-1TL53). Handles are IP65 rated and are also listed by UL for Type 1, 4X and 12 applications.

③ Aux. contacts break about 30 Ms before and make about 3 Ms after main switch contacts.

Ratings	10A	at 120V AC
	6A	at 240V AC
	1.4A	at 480V AC

④ Can be used as replacement handles on enclosed 3LD2 switches.

⑤ Base mounted switches with direct mount handles are also available (3LD2330-0TK1_② rated 160A and 3LD2430-0TK1_② rated 250).



Base Mount

3LD2217-0TK13



3LD9220-2C



3LD9251-0A

Note: 3LD2 shaft lengths allow the following maximum enclosure depths from the switch mounting surface to the outside of the cover:

- 16-32A, 15.25"
- 63-125A, 15.75"
- 160 & 250A, 23.70"

Disconnect Switches

Compact Non-Fusible — Rotary and Toggle

Selection

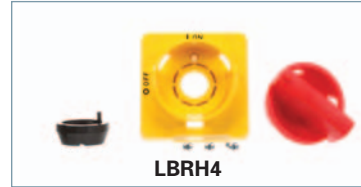
Individual Components and Assemblies

Recommended for Basemount. For Door mounting only, use LBRD1.[®]

Rotary and Toggle Switches

Catalog Number	Switch Type	No. of Poles	Ampere Rating	Max AC Volt	AC Horsepower Ratings					
					115V		240V		480V	600V
					1Ø	3Ø	1Ø	3Ø	3Ø	3Ø
LBR3040 ^②	Rotary	3	40	600	2	3	7½	20	25	
LBR3060 ^②	Rotary	3	60	480	2	5	10	25	—	
LBR3080 ^②	Rotary	3	80	600	3	10	20	40	50	
LBR3100 ^②	Rotary	3	100	480	5	15	25	50	—	
LBR4040	Rotary	4	40	480	2	3	7½	20	—	
LBT3040	Toggle	3	40	600	2	3	7½	20	25	
LBT3060	Toggle	3	60	480	2	5	10	25	—	
LBT3080	Toggle	3	80	600	3	10	20	40	50	
LBT3100	Toggle	3	100	480	5	15	25	50	—	
LBT4040	Toggle	4	40	480	2	3	7½	20	—	

Standard and Heavy Duty Rotary Switch Door Handles



LBR Type Handles

Catalog Number	Used on Rotary Switches	NEMA Type	Mounting	Marking	Color	Cover Interlock Supplied	Padlockable
Standard Duty							
LBRH2 ^②	All	1	Door	ON/OFF	Black	No	No
LBRH3 ^②	All	1, 3R, 12, 4X	Door	O/I, ON/OFF	Black	Yes ^①	Yes
LBRH4 ^②	All	1, 3R, 12, 4X	Door	O/I, ON/OFF	Red/Yel	Yes ^③	Yes
LBRH9 ^②	All (Pistol Grip Type)	1, 3R, 12, 4X	Door	O/I, ON/OFF	Black	Yes	Yes
LBRH10 ^②	All (Pistol Grip Type)	1, 3R, 12, 4X	Door	O/I, ON/OFF	Red/Yel	Yes	Yes
LBRH5	25 Amps	1	Direct Mount	O/I	Black	—	Yes
LBRH6	3-Pole, 40-60 Amps	1	Direct Mount	O/I	Black	—	Yes
LBRH7	3-Pole, 80-100 Amps	1	Direct Mount	O/I	Black	—	Yes
LBRH8	4-Pole, 40-60 Amps	1	Direct Mount	O/I	Black	—	Yes
Heavy Duty							
CFSH10B12	All	1, 3R, 12	Door	O/I, ON/OFF	Black	Yes	Yes
CFSH10R12	All	1, 3R, 12	Door	O/I, ON/OFF	Red/Yel	Yes	Yes

LBR Type Rotary Shafts

Catalog No	Length In. (mm)
For Standard Duty Handles	
LBR5040	1.57 (40)
LBR5050	1.97 (50)
LBR5055	2.17 (55)
LBR5080	3.15 (80)
LBR5120	4.72 (120)
LBR5180	7.09 (180)
LBR5305	12.00 (305)
For Heavy Duty Handles	
CFSS5200H	7.9 (200)
CFSS5400H	15.7 (400)

Rotary Shafts



LBR Type Handles



Rotary and Toggle Switches



Auxiliary Switch Kits

Used on Rotary Switch	Catalog Number	Contact Arrangement
LBR3040, LBR3060	LBRA1 ^④	1 NO/1 NC with common point
LBR3080, LBR3100	LBRA2 ^④	1 NO/1 NC with common point

LBR Type Rotary Switch Door Mounting Kit (For use with LBRH3 & LBRH4 only)

Used on Rotary Switch	Catalog Number
40-100 Amps	LBRD1 [®]

LBR/LBT Neutral Kit^⑤

Used with Catalog Number	Catalog Number
All	HF63CX



① No cover interlock defeat mechanism provided. To eliminate cover interlock, order additional catalog number LBRDC1.

② LBRH2 is IP54 rated. All others are IP65.

③ Ratings

15.1A resistive at 250V AC max.
.5A at 125V DC
.25A at 250V DC
.5 HP at 250V AC max.

④ Auxiliary switch contacts break about 30 Ms before and make about 3 Ms after main switch contacts.

⑤ Lug wire ranges:

HF63CX—(1) #14-2 AWG 60/75°C Cu only

⑥ Only door mountable and for use with LBRH3 & 4 handles only.

⑦ For door mounting of 40-100A LBR switches use door mounting kit LBRD1 & LBRH3 or 4 handle.

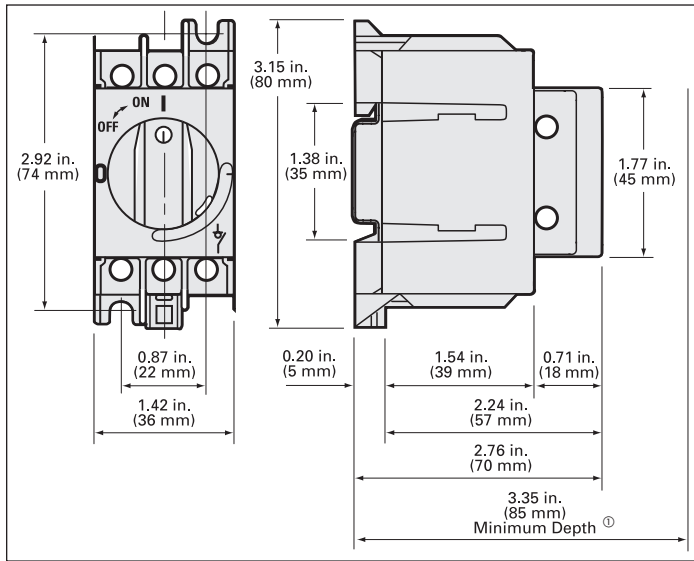
⑧ LBRD1 does not require shaft.

Disconnect Switches

Compact Non-Fusible — Rotary and Toggle

Dimensions

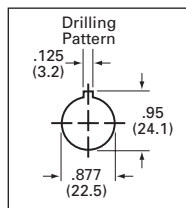
Dimension Drawings and Wire Ranges



LBR 3025

Wire Ranges 60/75°C Cu only

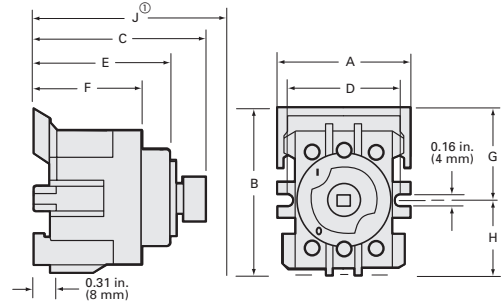
25 Amps LBR	(1) #14 - #10 AWG Solid (1) #14 - #8 AWG Stranded
40 & 60 Amps LBR & LBT	(1) #14 - #10 AWG Solid (1) #14 - #4 AWG Stranded UP to (4) #12 AWG Solid Up to (3) #12 AWG Stranded Up to (6) #14 AWG Stranded Up to (4) #14 AWG Stranded with (1) #10 AWG Stranded
80 & 100 Amps LBR & LBT	(1) #14 - #10 AWG Solid (1) #14 - #1 AWG Stranded (2) #6 AWG Stranded Up to (3) #8 AWG Stranded Up to (6) #10 AWG Stranded Up to (6) #12 AWG Solid
16A, 3LD20 25A, 3LD21 32A, 3LD22 63A, 3LD25 100, 125A, 3LD2 160, 250A, 3LD2	(1) #18-10 AWG (1) #14-8 AWG (1) #14-8 AWG (1) #14-6 AWG (1) #12-1 AWG (1) #1-400 MCM



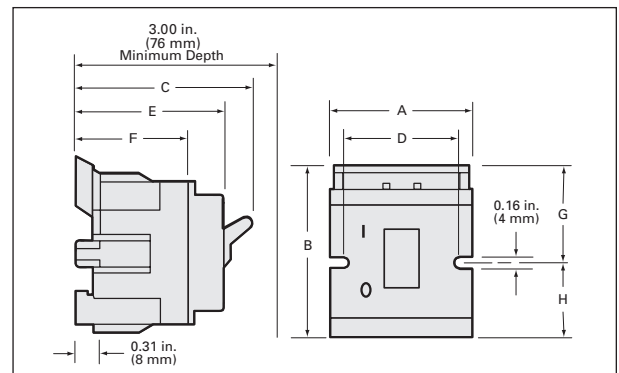
**Shaft Mounted
3LD2 Handle Cutout
(4-hole pattern)**

Dimension J Minimum Depth^①

Switch	Dimension J
LBR 40-100A	3.35 (85)
3LD2 25 & 32A Front Shaft Mounted	3.07 (78)
3LD2 63 Front Shaft Mounted	3.35 (85)
3LD2 16-32A Front 4-hole Mounted	2.13 (54)
3LD2 63A Front 4-hole Mounted	2.48 (63)
3LD2 100 & 125A Front 4-hole Mounted	2.56 (65)
3LD2 25 & 32A Base w/shaft Mtg. Handle	6.46 (164)
3LD2 63A Base w/shaft Mtg. Handle	6.77 (172)
3LD2 16-32A Base w/4-hole Mtg. Handle	5.59 (142)
3LD2 63A Base w/4-hole Mtg. Handle	5.99 (152)
3LD2 100-250A Base w/4-hole Mtg. Handle	6.07 (154)



LBR 40-100 Amps & 3LD2 16-250A



LBT Toggle — 40-100 Amps

Switch Type	Switch Catalog Number	Dimensions Inches (mm)							
		A	B	C	D	E	F	G	H
Rotary	LBR3040	2.00 (51)	2.72 (69)	2.72 (69)	1.78 (45)	2.16 (55)	1.67 (42)	1.50 (38)	1.22 (31)
Rotary	LBR3060	2.00 (51)	2.72 (69)	2.72 (69)	1.78 (45)	2.16 (55)	1.67 (42)	1.50 (38)	1.22 (31)
Rotary	LBR3080	2.09 (53)	3.32 (84)	2.92 (74)	1.97 (50)	2.29 (58)	1.69 (42)	1.66 (42)	1.66 (42)
Rotary	LBR3100	2.09 (53)	3.32 (84)	2.92 (74)	1.97 (50)	2.29 (58)	1.69 (42)	1.66 (42)	1.66 (42)
Rotary	LBR4040	2.42 (61)	2.72 (69)	2.72 (69)	2.28 (58)	2.16 (55)	1.67 (42)	1.50 (38)	1.22 (31)
Rotary Front Mtg.	3LD20 ^②	1.89 (48)	1.97 (50)	2.29 (58)	—	—	—	—	—
Rotary Front Mtg.	3LD21 & 2 ^②	1.81 (46)	2.17 (55)	1.97 (50)	—	—	—	—	—
Rotary Front Mtg.	3LD25 ^②	2.36 (60)	2.52 (64)	2.32 (59)	—	—	—	—	—
Rotary Front Mtg.	3LD27 & 8 ^②	2.40 (61)	3.27 (83)	2.40 (61)	—	—	—	—	—
Rotary Base Mtg.	3LD20 ^②	1.89 (48)	1.97 (50)	2.29 (58)	—	—	—	—	—
Rotary Base Mtg.	3LD21 & 2 ^②	1.81 (46)	2.17 (55)	2.29 (58)	—	—	—	—	—
Rotary Base Mtg.	3LD25 ^②	2.36 (60)	2.52 (64)	2.68 (68)	—	—	—	—	—
Rotary Base Mtg.	3LD27 & 8 ^②	2.80 (71)	3.27 (83)	2.76 (70)	—	—	—	—	—
Rotary Base Mtg.	3LD23 & 4	4.41 (112)	5.83 (148)	4.10 (104)	—	—	—	—	—
Toggle	LBT3040	2.00 (51)	2.72 (69)	2.75 (70)	1.78 (45)	2.16 (55)	1.67 (42)	1.50 (38)	1.22 (31)
Toggle	LBT3060	2.00 (51)	2.72 (69)	2.75 (70)	1.78 (45)	2.16 (55)	1.67 (42)	1.50 (38)	1.22 (31)
Toggle	LBT3080	2.09 (53)	3.32 (84)	2.90 (74)	1.97 (50)	2.29 (58)	1.69 (42)	1.66 (42)	1.66 (42)
Toggle	LBT3100	2.09 (53)	3.32 (84)	2.90 (74)	1.97 (50)	2.29 (58)	1.69 (42)	1.66 (42)	1.66 (42)
Toggle	LBT4040	2.42 (61)	2.72 (69)	2.75 (70)	2.28 (58)	2.16 (55)	1.67 (42)	1.50 (38)	1.22 (31)

① Depth from outside of cover to back of switch.

② Handle front plate dimensions:
3LD 16-32A—2.64 inches square
3LD 63-125—3.55 inches square

5
DISCONNECT SWITCHES

Disconnect Switches

Type VBII (30-600A) with Flange Mounted Operating Handle

Features and Ordering Information

Features

- 30-600A, 600VAC and DC ratings
- 240 & 600V AC switches are UL Recognized under file number E121152, Vol. 3 and CSA certified under file number 154852
- 600V DC Photovoltaic switches are UL Recognized under file number E335018, Vol. 3 and are rated to switch 3 separate 600V DC circuits
- Visible blade quick make and break switching action
- Panel and Flange mounted assemblies facilitate installation
- Panel mounted switches are variable depth
- Short circuit rating of 10,000 AIC with class H fuse, and of 200,000 AIC with class R or J fuses. PV switches are rated 10,000 AIC at 600V DC with 600V DC rated class K, J or R fuses.
- Flange mounted handles rated as Type 1, 3R & 12 or 4X are padlockable in the off position with up to (3) padlocks with 5/16 hasps
- Meets UL98 requirements and suitable for both main and branch circuit applications
- A complete line of aux contacts are available
- Load break and horsepower rated
- Defeatable cover interlock standard with all handles
- Meets NFPA79 requirements
- Seismic qualified — complies with the 2010 California Building Code (CBC) — and with the International Building Code (IBC) — Compliance Level SDS = 1.85 g



VBFS361, VBLK1 & VBH1



VBFS363F



VBNFS365, VBLK4 & VBH2

Ordering Information

1. Determine the ratings required (amps, volts, HP, Fusible, NF), the mounting needed (Panel or Flange), and select the appropriate switch.
2. For panel mounted switches with a rigid operating shaft (30-600A), order panel mounted switch, flange mounted operating handle & rigid linkage kit based on depth required.
3. For panel mounted switches with a Max-Flex operator, order panel mounted switch, Max-Flex Handle & Adapter Kit and drive cable.
4. Select accessories if required.

Disconnect Switches

Type VBII (30-600A) with Flange Mounted Operating Handle

Selection

Switches—for Standard 600V Max AC or DC Applications

Switch Ampere Rating	Max. AC Voltage Rating	Catalog Number	Horsepower Rating, Switches and 3-Phase ^④						600 Volts DC (max) ^④
			240 Volts AC		480 Volts AC		600 Volts AC		
			Standard	Max.	Standard	Max.	Standard	Max.	
Fusible Panel Mounted Variable Depth Switches - 3-Pole^⑤									
30	240	VBFS321	3	7 1/2	—	—	—	—	— ^①
60	240	VBFS322	7 1/2	15	—	—	—	—	— ^②
30	600	VBFS361	—	—	5	15	7 1/2	20	15 ^③
60	600	VBFS362	—	—	15	30	15	50	30 ^③
100	600	VBFS363	—	—	25	60	30	75	50 ^③
200	600	VBFS364	—	—	50	125	60	150	50
400	600	VBFS365	—	—	100	250	125	350	— ^⑨
600	600	VBFS366	—	—	150	400	200	500	— ^⑨
Non-fusible Panel Mounted Variable Depth Switches - 3-Pole^⑤									
30	600	VBNS361	—	10	—	20	—	30	15 ^③
60	600	VBNS362	—	20	—	50	—	60	30 ^③
100	600	VBNS363	—	40	—	75	—	100	50 ^③
200	600	VBNS364	—	60	—	125	—	150	50
400	600	VBNS365	—	125	—	250	—	300	— ^⑨
600	600	VBNS366	—	200	—	400	—	500	— ^⑨
Fusible Flange Mounted Switches - 3-Pole^{⑥⑦}									
30	240	VBFS321F	3	7 1/2	—	—	—	—	— ^①
60	240	VBFS322F	7 1/2	15	—	—	—	—	— ^②
30	600	VBFS361F	—	—	5	15	7 1/2	20	15 ^③
60	600	VBFS362F	—	—	15	30	15	50	30 ^③
100	600	VBFS363F	—	—	50	60	30	75	50 ^③
200	600	VBFS364F	—	—	100	125	60	150	50
Non-fusible Flange Mounted Switches - 3-Pole^{⑥⑦}									
30	600	VBNS361F	—	10	—	20	—	30	15 ^③
60	600	VBNS362F	—	20	—	50	—	60	30 ^③
100	600	VBNS363F	—	40	—	75	—	100	50 ^③
200	600	VBNS364F	—	60	—	125	—	150	50

Note: Fusible switches include fuse provisions for Class H Fuses. The load base can be moved to pre-drilled holes for Class J Fuses on all 600V switches. If Class R Fuses are required, add a Class R Fuse Clip Kit.

Switches—for Photovoltaic Applications, 600VDC Max.^⑦

(for use in negative ground systems only)

Switch Ampere Rating	Catalog Number	Rated Isc per NEC Article 690
Fusible Panel Mounted Variable Depth Switches—3 Pole^{⑧⑨}		
30	VBFS361PV	19.2A
60	VBFS362PV	38.4A
100	VBFS363PV	64.0A
Non-Fusible Panel Mounted Variable Depth Switches—3 Pole^⑧		
30	VBNS361PV	24.0A
60	VBNS362PV	48.0A
100	VBNS363PV	80.0A
Fusible Flange Mounted Variable Depth Switches—3 Pole (Includes Type 1, 3R and 12 Rated Operating Handle)^{⑧⑨}		
30	VBFS361FPV	19.2A
60	VBFS362FPV	38.4A
100	VBFS363FPV	64.0A
Non-Fusible Flange Mounted Variable Depth Switches—3 Pole (Includes Type 1, 3R and 12 Rated Operating Handle)^⑧		
30	VBNS361FPV	24.0A
60	VBNS362FPV	48.0A
100	VBNS363FPV	80.0A

- ① Rated 5 HP at 250V DC.
- ② Rated 10 HP at 250V DC.
- ③ 600V DC & 600V DC horsepower rating shown requires (2) poles to be connected in series.
- ④ Std. - applies when non-time delay fuses are used.
Max. - applies when time delay fuses are used.
- ⑤ Includes line base, load base, operating mechanism and line and load lugs.
Order operating handle and linkage kits from tables on pages 5-7 or 5-8.
- ⑥ Includes line base, load base, operating mechanism line and load lugs plastic operating handle and required linkage.
- ⑦ All photovoltaic switches are rated to be used with 3 separate 600V DC circuits.
- ⑧ Fusible switches accept Class K or R fuses as standard and Class J fuses by relocating the load base.
- ⑨ Rated 250V DC max and 50HP at 250V DC.
- ⑩ Please add letter "M" to the end of catalog number for metal handle.

Cable Kit

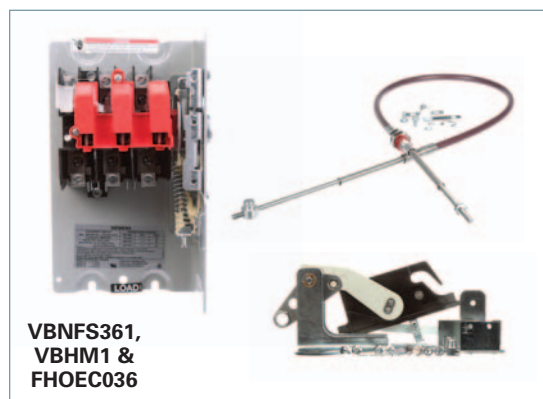
For use with 30-200A panel mounted switches and Max-Flex handle and adapter kit.

Catalog Number	Description
FHOEC036	36" long drive cable
FHOEC048	48" long drive cable

Max-Flex™ Handle and Adapter Kit

(Type 1, 12, 3R & 4X) Use with 30-200A panel mounted switches and cable kit.

Catalog Number	Operating Handle Description
Plastic Handles	
VBHM1	30-200A Type 1, 3R, 12 and 4X
Metal Handles	
VBHM2	30-200A Type 1, 3R and 12
VBHM2X	30-200A Type 4X



Disconnect Switches

Type VBII (30-600A) with Flange Mounted Operating Handle

Selection & Accessories

Flange Mounted Operating Handles

For use with Panel Mounted Switches. Plastic handle is included with Flange Mounted Switches as standard.

Catalog Number	Operating Handle Description
Plastic Handles	
VBH1	30-200A Type 1, 3R & 12
VBH14X	30-200A Type 4X
Metal Handles	
VBH112	30-200A Type 1, 3R & 12
VBH14	30-200A Type 4X
VBH2	400A Type 1 & 12
VBH2R	400 & 600A Type 1, 3R & 12
VBH24X	400 & 600A Type 4X



HR612

Class R Fuse Clip Kits

These kits prevent the installation of Class H and K fuses (one kit required per switch).

Class R Fuse Clip Kits

Catalog Number	Description
HR21	30A, 240V Kit (HD only)
HR612	30A, 600V Kit/60A, 240V Kit
HR62	60A, 600V Kit
HR63	100A Kit
HR64	200A Kit
HR656	400A/600A Kit

Internal Door Latch Kits

For use with enclosures with door mounted latching bar. Required when a flange mounted switch is mounted in a Hoffmann or Rittal enclosure provided with an AB cutout.

Catalog Number	Description
DKR2	2 point (for use with enclosures less than 40" high)
DKR3	3 point (for use with enclosures 40" or larger in height)

Rigid Linkage Kits

For use with Panel Mounted Switches. Not required for Flange Mounted Switches.

Catalog Number	Switch Ampere Rating	Enclosure Depth ^①	
		Min	Max.
VBLK1	30-200	6.94 ^②	6.94 ^②
VBLK2	30-200	6.94 ^②	19.0
VBLK3	400 & 600	9.00	8.75
VBLK4	400 & 600	9.00	19.0



HT63

Class T Fuse Adapter Kits

100-600A fusible switches are field convertible to accept Class T fuses. 400-600A switches are field convertible to accept Class T fuses by moving the load base to a pre-drilled T fuse position.

Class T Fuse Adapter Kits^③

Catalog Number	Description
HT23	100A, 240V Kit
HT63	100A, 600V Kit
HT24	200A, 240V Kit
HT64▲	200A, 600V Kit

Class J Fuse Provisions

All 30-600A, 600V fusible switches are field convertible to accept Class J fuses by moving the load base to a pre-drilled J fuse position.

Window Kits (Type 1, 12, 3R and 4x)

Allows viewing of visible blades and of indicating fuses through 200A.

Catalog Number	Description
VBWK1	30A Window Kit
VBWK2	60 & 100A Window Kit
VBWK3	200-600A Window Kit

NEW Quick Connects

They provide two point control power take-off capability and are normally used on two poles on the line side when it is required to have control power available when the switch is in the OFF position. They provide a mounting provision for standard 1/4" quick connect terminal. Installed in the line or load side. 30A VBII switches have lugs UL listed to accept (2) wires per pole as standard so a 30A kit is not required.

Catalog Number	Description
HCQ62	60A 2 wire quick connect kit
HCQ63	100A 2 wire quick connect kit
HCQ64	200A 2 wire quick connect kit



HN612

Neutral Kits^④

Standard Neutral Kits can be field installed in 30-100A switches.

Neutral Kits

Switch Ampere Rating	Kit Catalog Number
30A 600V, 60A 240V	HN612
60A, 600V & 100A	HN623

200% Neutral Kits^④

UL listed 200% Neutrals are available on 60 & 100A switches. They are typically used with non-linear transformers or where increased neutral ampacity/lug capacity is required.

200% Neutral Kits

Switch Ampere Rating	Kit Catalog Number	Wire Range Line & Load Lugs (Cu/Al)
60 & 100A	HN263	(2) #14-1/0 AWG

▲ Built to order. Allow 6-8 weeks for delivery.
 ① Dimensions (min. & max.) from enclosure mounting pan to outside surface of enclosure handle mounting flange.

② 7.12 for 200A switches.
 ③ One kit per pole required.

④ UL approved (not CSA certified).

Disconnect Switches

Type VBII (30-600A) with Flange Mounted Operating Handle

Accessories



HA161234

Auxiliary Contacts

The auxiliary contacts are available in 1 normally open and 1 normally closed or 2 normally open and 2 normally closed configurations. Siemens offers a PLC Auxiliary Switch (30-200A) that has very low resistance for low voltage and current typical in PLC circuits. All auxiliary contacts make after and break before main switch contacts.

Switch Ampere Rating	Aux. Switch Catalog Number	Kit Ampere Rating			Kit Horsepower Rating		
		125V AC Max.	250V AC Max.	28V DC Max.	125V AC Max.	250V AC Max.	28V DC Max.

With 1 NO & 1 NC Isolated Contacts

30-200	HA161234	10	10	—	1/2	3/4	—
400-600	HA165678	10	10	—	1/2	3/4	—

With 2 NO & 2 NC Isolated Contacts

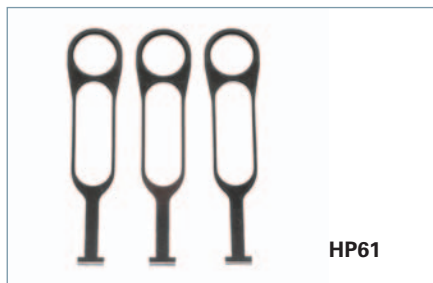
30-200	HA261234	10	10	7	1/2	3/4	—
400-600	HA265678	10	10	7	1/2	3/4	—

Low Current PLC Type with 1 NO & 1 NC Gold Plated Contacts

30-200	HA361234	10	10	—	1/2	3/4	—
400-600	HA365678	10	10	—	1/2	3/4	—



HA261234



HP61

Fuse Puller Kits

Fuse Puller Kits are field installable in 30-100A Type VBII Heavy Duty Switches (one kit required per 3-pole switch).

Switch Ampere Rating	Fuse Puller Kit Catalog Number
30	HP61
60	HP62▲
100	HP63▲

Copper Lug Kits

All switches are UL approved to accept field installed copper lug kits.



HLC612

Switch Ampere Rating	Copper Lug Catalog Number	Description
30-60	HLC612	(9) Lugs/Kit #14-4 AWG Cu
100	HLC63▲	(9) Lugs/Kit #14-1/0 AWG Cu
200	HLC64▲	(9) Lugs/Kit #6 AWG-300 Kcmil Cu
400-600A	HLC65678	(1) Lugs/Kit #1/0 AWG-600 Kcmil Cu

Equipment Ground Kits

Equipment Ground Lug Kits are available for all switches.

Switch Ampere Rating	Catalog Number	Number of Terminals	Wire Range Per Terminal (Cu/Al)
30-200	HG61234	2	#14-4 AWG
400 & 600	HG656	4	#6 AWG-250 Kcmil

NEW Internal Shield Kits (for fusible switches)

Kits provide a "skirt" that encloses the VBII switch and also a clear plastic inner door to prevent accidental contact with live parts. Test probe holes are provided and fuses can be replaced without removal of kit.



HSK61

Switch Ampere Rating	Shield Kit Catalog Number
30A	HSK61
60-100A	HSK623
200A	HSK64

▲ Built to order. Allow 6-8 weeks for delivery.

Disconnect Switches

Type VBII (30-600A) with Flange Mounted Operating Handle

Lug Wire Ranges & Dimensions

Lugs

30 & 60A switches are suitable for use with 60° or 75°C wire. 100–600A switches are suitable for use with 75°C rated wire. All switches are supplied with factory installed line and load lugs.

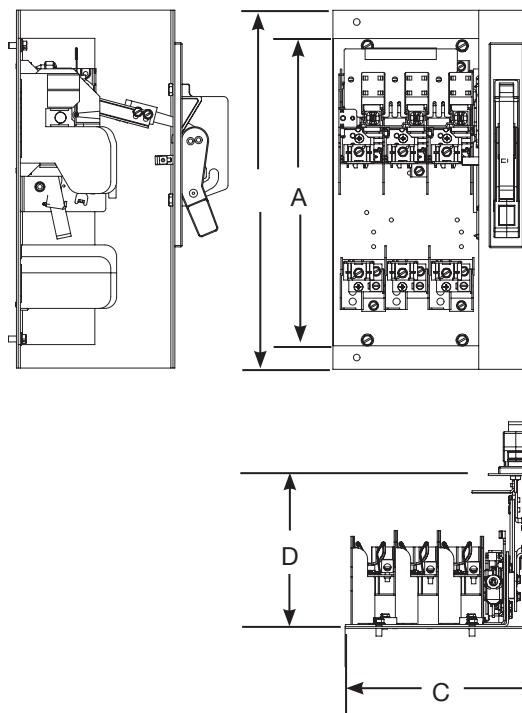
Wire Ranges (Line, Load and Standard Neutral)

Switch Ampere Rating	UL Approved Wire Range	Lug Wire Range
30	#14-6 AWG (Cu/Al)	#14-2 AWG (Cu/Al)
60	#14-2 AWG (Cu/Al)	#14-2 AWG (Cu/Al)
100	#14-1/0 AWG (Cu/Al)	#14-1/0 AWG (Cu/Al)
200	#6 AWG-300 Kcmil (Cu/Al)	#6 AWG-300 Kcmil (Cu/Al)
400	1/0 AWG-750 Kcmil (Cu/Al) or (2) 1/0 AWG-250 Kcmil (Cu/Al)	(1) 1/0 AWG-750 Kcmil (Cu/Al) or (2) 1/0 AWG-250 Kcmil (Cu/Al)
600	(2) 1/0 AWG-750 Kcmil (Cu/Al) or (4) 1/0 -250 Kcmil (Cu/Al)	(2) 1/0 AWG-750 Kcmil (Cu/Al) or (4) 1/0 AWG-250 Kcmil (Cu/Al)

Approximate Dimensions

Mounting bracket shown with handle installed is supplied with Flange Mounted Switches only. All Panel Mounted Switches have a "L" shaped mounting pan with a line base, load base (if fusible) and mechanism installed.

Catalog Number	Dimensions				
	A	B	C [Ⓞ]	D (min)	D (max)
Fusible, Panel Mounted					
VBFS321	11.88	N/A	7.47	6.94	19
VBFS322	13.12	N/A	8.50	6.94	19
VBFS361, PV	11.88	N/A	7.47	6.94	19
VBFS362, PV	13.12	N/A	8.50	6.94	19
VBFS363, PV	13.12	N/A	8.50	6.94	19
VBFS364	17	N/A	12.33	7.12	19
VBFS365	26.25	N/A	16.50	8.63	19
VBFS366	26.25	N/A	16.50	8.63	19
Non-fusible, Panel Mounted					
VBNS361, PV	9.79	N/A	7.47	6.94	19
VBNS362, PV	9.79	N/A	8.50	6.94	19
VBNS363, PV	9.79	N/A	8.50	6.94	19
VBNS364	10.77	N/A	12.33	7.12	19
VBNS365	13	N/A	16.50	8.63	19
VBNS366	13	N/A	16.50	8.63	19
Fusible, Flange Mounted					
VBFS321F	11.88	14.08	7.47	7.27	N/A
VBFS322F	13.12	15.83	8.85	7.27	N/A
VBFS361F, PV	11.88	14.08	7.47	7.27	N/A
VBFS362F, PV	13.12	15.83	8.85	7.27	N/A
VBFS363F, PV	13.12	15.83	8.85	7.27	N/A
VBFS364F	17	18.20	12.68	7.57	N/A
Non-fusible, Flange Mounted					
VBNS361F, PV	9.79	11.78	7.47	7.27	N/A
VBNS362F, PV	9.79	11.78	8.85	7.27	N/A
VBNS363F, PV	9.79	11.78	8.85	7.27	N/A
VBNS364F	10.77	11.97	12.68	7.57	N/A



[Ⓞ] Dimension C for panel mounted switches indicates the minimum width from the left hand edge of the switch mounting pan to the right hand inside surface of the enclosure.

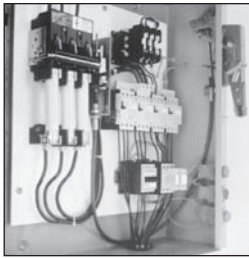
Disconnect Switches

Type MCS (30-200A) — Switches, Fuse and No Fuse Kits

Selection

Features

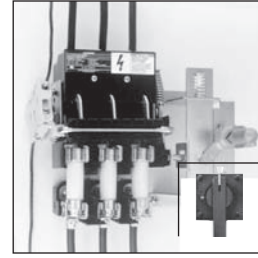
- 30, 60, 100 and 200 Ampere Switches
- UL Recognized (file # E121152 vol. 1 & 2) and CSA Certified
- Simple Mounting — with an integral switch and over center mechanism
- Horsepower & load break rated
- Compact Size
- Visible Blade Contacts
- Rugged Construction — with a short circuit current rating of 10,000 amps with Class H or 200,000 amps at 600V maximum AC, when fused with Class R or Class J fuses
- Available with three operator handle options, allowing flexible placement of switch
- Field Installable Auxiliary Contacts
- Flexible Fuse Class Configurations
- Flange mounted handles meet NFPA79 requirements



Type MCS Disconnect Switch with Max-Flex™ handle operator



Type MCS Disconnect Switch with fixed-depth, flange-mounted handle



Type MCS Disconnect Switch with rotary handle

Ordering Information

- Select the basic switch size you need (30, 60, 100 or 200 ampere).
- Check the switch selected against the maximum horsepower rating required for our application. "L" or "R" suffix on switch catalog numbers denotes left or right-handed mechanism drive.
- Choose either fuse or no fuse kit from chart below.
- Check "Minimum Dimensions" on page 5-12 for installation space requirements.
- Select from the list of handle operators, the type which best suits your application. Handle operators can be selected from the next page.

Basic Switches

Switch Ampere Rating	Maximum Voltage Rating	Catalog Number Right Hand	Catalog Number Left Hand	Maximum Horsepower Rating, 3 Phase ^④						250 Volts DC (max) ^④
				240 Volts AC		480 Volts AC		600 Volts AC		
				Standard Fuse	Time Delay Fuse	Standard Fuse	Time Delay Fuse	Standard Fuse	Time Delay Fuse	
30	600	MCS603R	MCS603L	3	7½	5	15	7½	20	5
60	600	MCS606R	MCS606L	7½	15	15	30	15	50	10
100	600	MCS610R	MCS610L▲	15	30	25	60	30	75	20
200	600	MCS620R	MCS620L▲	25	60	50	125	60	150	40

Fuse And No Fuse Kits (Includes load base plus line and load fuse clips)^①

Basic Switch Ampere Rating	Switch Catalog Number	Kit Description	No Fuse Kits		For Class H	For Class J	For Class R	Lug Wire Size
			Standard	Cu Only ^②				
			Catalog Number	Catalog Number	Catalog Number ^①	Catalog Number ^①	Catalog Number ^①	
30	MCS603R or MCS603L	No Fuse	TMK606	—	—	—	—	#14 to #4 AWG Cu/Al
		30A, 250V	—	—	FCK203▲	—	FCRK203	
		30A, 600V	—	—	FCK206	FCJK603	FCRK206	
		60A, 250V	—	—	FCK206	—	FCRK206	
60	MCS606R or MCS606L	60A, 600V	—	—	FCK606	FCJK606	FCRK606	#14 to #4 AWG Cu/Al
		No Fuse	TMK606	—	—	—	—	
		60A, 250V	—	—	FCK206	—	FCRK206	
		60A, 600V	—	—	FCK606	FCJK606	FCRK606	
100	MCS610R or MCS610L	100A, 250V	—	—	OFCK661▲	OFCK661▲	③	#14 to #2/0 AWG Cu/Al
		100A, 600V	—	—	OFCK661▲	OFCK661▲	③	
		No Fuse	TMK610	TMK610C	—	—	—	
		100A, 250V	—	—	FCK610	FCK610	③	
200	MCS620R or MCS620L	100A, 600V	—	—	OFCK620	OFCK620	③	#6 to 300 kcmil Cu/Al
		200A, 250V	—	—	OFCK620	OFCK620	③	
		200A, 600V	—	—	OFCK620	OFCK620	③	
		No Fuse	TMK620	TMK620C▲	—	—	—	
200	MCS620R or MCS620L	200A, 250V	—	—	FCK620	FCK620	③	#6 to 300 kcmil Cu/Al
		200A, 600V	—	—	FCK620	FCK620	③	

▲ Built to order. Allow 6–8 weeks for delivery.

① For "copper only" connectors, order as follows:

Fusible—order standard switch, standard fuse kit and copper only no fuse kit.

Non-Fusible—order standard switch and copper only no fuse kit.

② Includes both line and load lugs.

③ For Class R fuses order Class H kit from this table and the Class R conversion kit from the next page.

④ HP ratings for time delay fuses and for 250V DC also apply to Non-fusible switches.

Disconnect Switches

Type MCS (30-200A)

Accessories

Auxiliary Switch Kits

Switch Catalog Number	Contact Arrangement	
	1 NO/1 NC Catalog Number	2 NO/2 NC Catalog Number
MCS603R	MCSAKR136	MCSAKR236
MCS603L	MCSAKL136	MCSAKL236▲
MCS606R	MCSAKR136	MCSAKR236
MCS606L	MCSAKL136	MCSAKL236▲
MCS610R	MCSAK116	MCSAK216
MCS610L	MCSAK116	MCSAK216
MCS620R	MCSAK126	MCSAK226
MCS620L	MCSAK126	MCSAK226

Class R Fuse Conversion Kits

Fuse Clip Rating	Catalog Number
100A, 600V	SSRK33
200A, 600V	SSRK34

Fuse Ejector Kits

Switch Catalog Number	Fuse Ejector Kit Catalog Number
MCS610	FE100▲
MCS620	FE200▲

Handle Operators

Fixed Depth, Flange Mounted, Types 1, 3, 3R, 12^{①④}

Switch Catalog Number	Complete Handle Mechanism Catalog Number	Handle Only Catalog Number	Switch Operator Only Catalog Number
MCS603R	FDFS06R	FDH10	FDS06R
MCS603L	FDFS06L	FDH10	FDS06L
MCS606R	FDFS06R	FDH10	FDS06R
MCS606L	FDFS06L	FDH10	FDS06L
MCS610R	FDFS06R	FDH10	FDS06R
MCS610L	FDFS06L	FDH10	FDS06L
MCS620R	FDFS20R	FDH20	FDS20R
MCS620L	FDFS20L	FDH20	FDS20L

Variable Depth, Flange Mounted Max-Flex™, Types 1, 3, 3R, 12^②

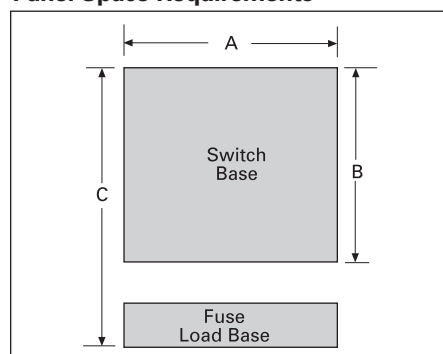
Switch Catalog Number	Complete Handle Mechanism Catalog Number	Handle Only Catalog Number	Switch Operator Only Catalog Number	Cable Only ^③ Catalog Number
MCS603R	FHOS06036R	FHOHS	FHOS06R	FHOEC036
MCS603L	FHOS06036L	FHOHS	FHOS06L	FHOEC036
MCS606R	FHOS06036R	FHOHS	FHOS06R	FHOEC036
MCS606L	FHOS06036L	FHOHS	FHOS06L	FHOEC036
MCS610R	FHOS06036R	FHOHS	FHOS06R	FHOEC036
MCS610L	FHOS06036L	FHOHS	FHOS06L	FHOEC036
MCS620R	FHOS20036R	FHOHS	FHOS20R	FHOJC036
MCS620L	FHOS20036L	FHOHS	FHOS20L	FHOJC036

Variable Depth Rotary, Through-The-Door-Mounted, Types 1, 12^{④⑤}

Variable Depth				Shaft Only Variable Depth
MCS603R	CRHOS06VD	CRHOH	RHOS06	RHOSVD
MCS606R	CRHOS06VD	CRHOH	RHOS06	RHOSVD
MCS610R	CRHOS06VD	CRHOH	RHOS06	RHOSVD
MCS620R	CRHOS20VD	RHOH	RHOS20	RHOSVD

MCS Disconnect Switch Panel Space Requirements

Panel Space Requirements



Minimum Dimensions (inches*)

Switch Catalog Number	Size	"A"	"B"	"C"	Fuse Class
MCS603	30A/240V	6.13	5.52	8.11	H, K, R
	30A/600V	6.13	5.52	10.11	H, K, R
	30A/600V	6.13	5.52	8.48	J
MCS606	60A/240V	6.13	5.52	7.86	H, K, R
	60A/600V	6.13	5.52	10.38	H, K, R
	60A/600V	6.13	5.52	8.35	J
MCS610	100A/240V	7.38	7.59	11.85	H, K, R
	100A/600V	7.38	7.59	13.85	H, K, R
	100A/600V	7.38	7.59	10.6	J
MCS620	200A/240V	9.17	9.00	14.7	H, K, R
	200A/600V	9.17	9.00	17.2	H, K, R
	200A/600V	9.17	9.00	13.32	J

"A" – Dimension is measured from each cross bail pin.

"B" – Dimension is measured from line side barrier to load side barrier.

"C" – Dimension is measured from line side terminal of switch to load side terminal of fuse load base.

- ▲ Built to order. Allow 6-8 weeks for delivery.
- ① For Type 4 and 4X applications, order handle only Catalog Number 100A - FDH104 200A - FDH204
- ② For Type 4 and 4X applications, order handle only Catalog Number FHOHS4

- ③ Standard cable length is 36 inches. Alternate lengths are available as follows:

Length	Amps	Cat. No.
48"	30-100	FHOEC048
60"	30-100	FHOEC060
48"	200	FHOJC048
60"	200	FHOJC060

- ④ For Type 4 and 4X applications, order handle only Catalog Number RHOSH4
- ⑤ For Type 3 and 3R applications, order handle only Catalog Number RHOH
- ⑥ Min. enclosure depth from mounting pan to handle mounting surfaces: 30-100A 6.44 inches
200A 10.93 inches
- *For millimeters multiply inches by 25.4.

Disconnect Switches

Type CFS Compact Fusible Switches

Features and Ordering Information

Features

- 30 - 800A ratings
- UL Listed under file #E121152 & CSA Certified under file #222227
- Door mounted rotary handles with defeatable cover interlock
- Meets UL requirements for both main and branch circuit applications
- Compact size
- 100kA with Class CC fuses or up to 200kA with Class J fuses
- Load break and horsepower rated
- Quick make and break operation
- All handles are padlockable with up to (3) padlocks with 5/16" hasps in the OFF position
- Catalog number **CFS361C5**, **CFS361J5** and **CNFS361** can be DIN-rail mounted and can be either front or side operated with standard rotary handles.
- All CFS part numbers ending in N can be either front or side operated with standard rotary handles.
- Handles are available in Type 1, 3R, 4/4X & 12 ratings
- NFPA 79 field installed kits are available
- 30-400A, 200kA switches are provided with quick connect terminal provisions for voltage sensing or for 10A max. control circuits
- Fusible switches, 3-pole 600V AC Max. 30-100A & 600-800A switches are also rated 250V DC Max when poles are field connected in series.



Ordering information

1. Select the panel mounted switch required based on Ampere, HP and AIC requirements. Switches with a right hand mechanism are standard, 30-100A switches with a left hand mechanism are available.
2. Select handle based on environmental rating required.
3. Select operating shaft (200 or 400mm in length). For enclosure depths of 9.0" or less from panel mounting surface to inside of door use 200mm long shafts. For deeper enclosures use 400mm long shafts. 30A 100kA switches can be used in 10" deep enclosures (panel to inside of door) with 200mm shaft and CFSH5N handles.
- Note: Be sure to check shaft and handle compatibility with the switch selected by using information provided in the selection tables.
4. Line & load lugs are provided as standard on 30-100A switches. Terminal kits are available for 200-800A switches if needed.
5. Auxiliary contact are available if needed as follows.
 - A. 30A switch CFS361C5 and non-fusible 30A switch CNFS361 will accept up to (4) aux contacts
 - B. 30A switch CFS361J5 will accept up to (2) aux contacts without an aux contact holder. If more than (2) aux contacts are required order aux contacts PLUS aux contact holder kit CFSAuxH1. All other switches will accept up to (4) aux contacts.
6. If non-fusible switch is required order a shorting bar for 60-600A switches or catalog number CNFS361 for 30A.
7. 30-100A switches are designed to prevent inadvertent contact with live parts and shields are not required. 200 & 400A switches are not supplied with terminal shields. They are available as field installed kits for both line and load terminals. 400-800A switches are supplied as standard with line shields and terminal shroud kits are available for the load side.

Disconnect Switches

Type CFS Compact Fusible Switches

Switch and Handle Selection

Fusible switches, 3-pole 600V AC Max. 30-100A & 600-800A switches are also rated 250V DC Max when poles are field connected in series^⑤

Switch ampere rating	Catalog number	Fuse provisions provided	Max horsepower ratings				AC short circuit rating
			240V 3Ø AC	480V 3Ø AC	600V 3Ø AC	250V DC	

Standard – with right hand mounted mechanism

30 ^①	CFS361C5	Class CC	7.5	15	20	5 ^③	100kA
30 ^①	CFS361J5	Class J	7.5	15	20	5 ^③	100kA
30 ^①	CFS361JN	Class J	7.5	15	20	5 ^③	200kA
30 ^①	CNFS361 ^{②④}	None	7.5	15	20	5 ^③	65kA
60 ^①	CFS362JN1	Class J	15	30	50	10 ^③	100kA
60 ^①	CFS362JN	Class J	15	30	50	10 ^③	200kA
100 ^①	CFS363JN		30	60	75	20 ^③	
200 ^②	CFS364JN ^④		60	125	150	–	
400 ^②	CFS365JN ^④		125	250	350	–	
600 ^②	CFS366J ^{④⑤}		200	400	500	–	
800 ^②	CFS367L ^{④⑤}	Class L	200	400	500	–	200kA

Optional – with left hand mounted mechanism^④

30 ^①	CFS361JLN	Class J	7.5	15	20	5 ^③	200kA
60 ^①	CFS362JLN		15	30	50	10 ^③	
100 ^①	CFS363JLN		30	60	75	20 ^③	

Operating shafts for 30-400A switches^⑤

Catalog number	Shaft length in. (mm)	Switch & handle compatibility
CFSS5200N	7.9 (200)	5mm x 5mm for use with CFS361C5, CFS361J5 & CNFS361 switches & with "CFSH5" handles only
CFSS5400N	15.7 (400)	
CFSS5200HN	7.9 (200)	5mm x 5mm for use with all "CFSH10" handles & with CFS361C5, CFS361J5 & CNFS361 switches only
CFSS5400HN	15.7 (400)	
CFSS10200HN	7.9 (200)	10mm x 10mm for use with all "CFSH10" handles & with all 30-400A switches except CFS361C5, CFS361J5 & CNFS361
CFSS10400HN	15.7 (400)	

Compact rotary operating handles – door mounted (for use with CFS361C5, CFS361J5 & CNFS361 switches only)^⑥

Catalog number	Color	UL Type	Operating shaft compatibility
CFSH5B12N	Blue & Black	1, 3R & 12	CFSS5200N or CFSS5400N
CFSH5R12N	Yellow & Red		
CFSH5B4N	Blue & Black	1, 3R, 12 & 4/4X	
CFSH5R4N	Yellow & Red		

Rotary operating handles - door mounted (for use with CFSS5200HN, CFSS5400HN, CFSS10200HN & CFSS10400HN)

Catalog number	Color	Description
----------------	-------	-------------

Type 1, 3R & 12^⑦

CFSH10B12N	Blue & Black	Heavy duty pistol grip (2.75" long for use with 30A switches & CFS362JN1)
CFSH10R12N	Yellow & Red	
CFSH10BL12N	Blue & Black	Heavy duty pistol grip (4.92" long for 30-400A switches)
CFSH10RL12N	Yellow & Red	

Type 1, 3R, 4/4X & 12^⑦

CFSH10B4N	Blue & Black	Heavy duty pistol grip (2.75" long for use with 30A switches & CFS362JN1)
CFSH10R4N	Yellow & Red	
CFSH10BL4N	Blue & Black	Heavy duty pistol grip (4.92" long for 30-400A switches)
CFSH10RL4N	Yellow & Red	

- ① Line and load lugs included.
- ② Line and load lugs are not included. Order from table on next page if required.
- ③ DC HP rating shown requires (3) poles to be connected in series.

- ④ CFS364JN & CFS365JN can be rotated 180° for left hand operation as standard.
- ⑤ Catalog numbers CFS361C5, CFS361J5 & CNFS361 accept 5mm x 5mm operating shafts. All other 30-400A switches accept 10mm x 10mm operating shafts.



- ⑥ Compact pistol grip design (2.75" long) with defeatable cover interlock. Cover can be opened when handle is padlocked in the OFF position.
- ⑦ Defeatable cover interlock provided. Cover cannot be opened when handle is padlocked in the OFF position.
- ⑧ Catalog number CNFS361 is a non-fusible switch.
- ⑨ 4 pole 600 & 800A switches, CFS466J & CFS467L are also available.
- ⑩ CFS366J and CFS367L are rated 250 & 600V DC when (2) poles are connected in series.
- ⑪ CNFS361 is rated 65kA when protected by Class J or CC 30A max. fuses.

Disconnect Switches

Type CFS Compact Fusible Switches

Selection and Accessories

600 & 800A rotary operating handles - door mounted (8.27" long)^⑦

Catalog number	Color	UL Type
CFSH12BL12	Blue & Black	1, 3R & 12
CFSH12RL12	Yellow & Red	1, 3R & 12
CFSH12BL4	Blue & Black	1, 3R, 12 & 4/4X
CFSH12RL4	Yellow & Red	1, 3R, 12 & 4/4X

600 & 800A operating shafts (cross section 12 x 12 mm)

Catalog number	Shaft length in. (mm)	Enclosure depth (switch mounting surface to door OD)
CFSS12200H	12.59 (320)	10.43 – 16.68 in.
CFSS12400H	15.75 (400)	10.43 – 19.84 in.

Type CFS fusible switch accessories

Catalog number	Description
----------------	-------------

Terminals^①

CFSL200	200A lug kit (6 lugs per kit) (1)#6-3/0
CFSL400N	400A lug kit (6 lugs per kit) (1)#2-600kcmil (for CFS365JN only)
CFSL400	600-800A lug kit (6 lugs per kit) (2)#2-600kcmil

Shorting bars (no fuse kits)

CFSSB60	60A shorting bar kit (3 links per kit)
CFSSB100	100A shorting bar kit (3 links per kit)
CFSSB200	200A shorting bar kit (3 links per kit)
CFSSB400	400A shorting bar kit (3 links per kit)
CFSSB680	600 & 800A shorting bar kit (1 link per kit)

Auxiliary contacts (NEMA ratings AC A600 DC N600)

CFAUXH1^②	Aux contact holder (CFS361J5, CFS361C5 & CNFS361)
CFAUX1NO	Aux contact 1 NO (30-800A Sws)
CFAUX1NC	Aux contact 1 NC (30-800A Sws)
CFS11AUX	1NO, 1NC aux contact kit (side mount for 200kA switches)
CFS22AUX	2NO, 2NC aux contact kit (side mount for 200kA switches)

Terminal shrouds (line or load)

CFSTS200N^③	200A shroud kit (line or load 3-pole kit)
CFSTS400N^③	400A shroud kit (line or load 3-pole kit for CFS365JN only)
CFSTS680^④	600/800A 3-pole shroud kit
CFSTS6804^④	600/800A 4-pole shroud kit

30A compact switch kits

CFSPLK	Shaft padlocking kit for 30A compact switch when door is open ^⑤
CFSH5CDM	Direct mount handle kit for CFS361C5 & CNFS361
CFSH5JDM	Direct mount handle kit for CFS361J5

NFPA 79 kits

(if auxiliary contacts are needed, see table on page 7)

Kits provide an operating shaft suitable for use with all heavy duty handles (not for use with CFSH5 handles). Kits also provide an internal operating handle and an internal OFF padlocking provision.

CFSNFPA1^④	For use with CFS361C5, CFS361J5 & CNFS361
CFSNFPA2N^⑤	For use with CFS361JN, CFS361CN, CFS362JN1, CFS362JN, CFS363JN & CFS364JN
CFSNFPA3N^⑤	For use with CFS365JN only

① Supplied as standard on 30-100A switches

② CFS361C5 and CNFS361 will accept (4) aux contacts without an aux contact holder. CFS361J5 will accept (2) aux contacts without an aux contact holder.

③ Supplied as standard on all but 30A, 65kA & 100kA compact switches.

④ 12.6 in. (320 mm) long operating shaft included

⑤ 12.7 in. (323 mm) long operating shaft included

⑥ Line side terminal shrouds supplied with switch



CFSL200 & 400



CFAUX1NC



CFSSB100 - CFSSB400

⑦ Defeatable cover interlock included. Cover cannot be opened when the handle is padlocked in the OFF position.

⑧ Neither line or load terminal shrouds are supplied as standard with new style 200 & 400A switches.

Disconnect Switches

Type CFS Compact Fusible Switches

Dimensions and Technical Characteristics

UL & CSA technical characteristics and panel space requirements

Catalog number	Amps	Fuse Class	AC short circuit rating	Electrical endurance	Mechanical endurance	Panel space requirements - in. (mm)		
						Height	Width	Depth ^①
CFS361C5	30	CC	100kA	6000	10000	4.56 (116)	3.78 (96)	6.00 (152)
CFS361J5	30	J	100kA	6000	10000	4.56 (116)	4.15 (105)	6.00 (152)
CFS361JN	30	J	200kA	6000	10000	5.35 (136)	5.89 (150)	6.00 (152)
CFS361JLN	30	J	200kA	6000	10000	5.35 (136)	5.89 (150)	6.00 (152)
CNFS361	30	None	65kA ^②	6000	10000	4.56 (116)	3.78 (96)	6.00 (152)
CFS362JN1	60	J	100kA	6000	10000	5.35 (136)	5.89 (150)	6.00 (152)
CFS362JN	60	J	200kA	6000	10000	7.32 (186)	5.89 (150)	6.00 (152)
CFS362JLN	60	J	200kA	6000	10000	7.32 (186)	5.89 (150)	6.00 (152)
CFS363JN	100	J	200kA	6000	10000	7.32 (186)	5.89 (150)	6.00 (152)
CFS363JLN	100	J	200kA	6000	10000	7.32 (186)	5.89 (150)	6.00 (152)
CFS364JN	200	J	200kA	6000	8000	11.46 (291)	7.72 (196)	6.00 (152)
CFS365JN	400	J	200kA	1000	6000	15.35 (390)	10.19 (259)	8.00 (203)
CFS366J	600	J	200kA	1000	5000	11.81 (300)	14.33 (364)	11 (280)
CFS466J	600	J	200kA	1000	5000	11.81 (300)	18.03 (458)	11 (280)
CFS367L	800	L	200kA	500	3500	11.81 (300)	14.33 (364)	11 (280)
CFS467L	800	L	200kA	500	3500	11.81 (300)	18.03 (458)	11 (280)

Wire ranges line & load lugs

Switch	Amperage Rating	UL approved wire size (75° C)
CFS361J5	30	(1)#14-10
CFS361C5	30	(1)#14-10
CNFS361	30	(1)#14-10
CFS361JN	30	(1)#14-6
CFS362JN1	60	(1)#14-6
CFS362JN	60	(1)#12-1
CFS363JN	100	(1)#12-1
CFS364JN	200	(1)#3/0
CFS365JN	400	(1)600MCM
CFS366J	600	(2)350 MCM
CFS367L	800	(2)600 MCM

Auxiliary contact capability when an NFPA79 kit is used

Switch	NFPA79 kit	Aux contacts that can be installed
CNFS361	CFSNFPA1	(2) Total, CFS AUX1NO or CFS AUX1NC
CFS361C5		
CFS361J5		
CFS361JN	CFSNFPA2N	(2) Total, CFS AUX1NO or CFS AUX1NC ^③
CFS362JN1		
CFS362JN		
CFS363JN		
CFS364JN		
CFS365JN	CFSNFPA3N	(2) Total, CFS AUX1NO or CFS AUX1NC ^③

① Minimum dimensions from mounting surface to inside of cover. Dimensions shown can be decreased if aux contacts are not required.

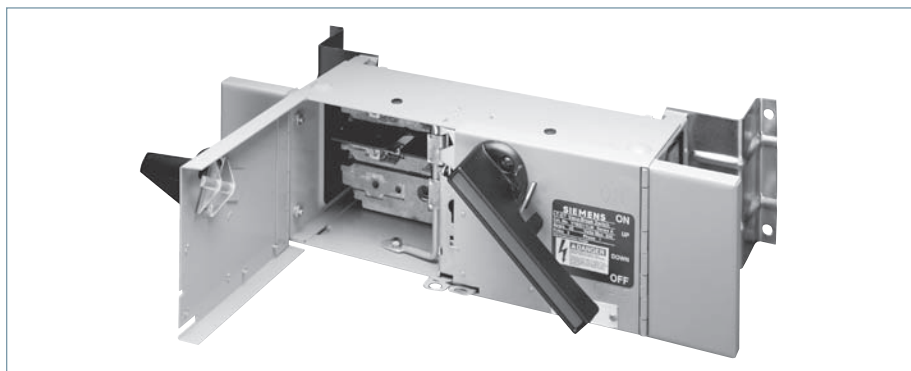
② CNFS361 is rated 65kA when protected by 30A max. Class J or CC fuses.

③ For additional auxiliary contacts use side mounted CFS11AUX or CFS22AUX.

Disconnect Switches

Type VB Panelboard Units

General



Features

Exclusive Vacu-Break® Clampmatic Arc Control — Hazardous switching arcs are safely confined and controlled in the Vacu-Break chamber.

NEMA Phasing — All line connections are phased as per NEMA Standards, i.e., left to right and top to bottom as you face the unit.

Pressure Terminal Connectors — Suitable for aluminum or copper (100 Amps or larger). All Terminal Connectors 200 Amps and larger are removable.

Connection Screws — Bullet nosed for positive location and seating of screw.

Quick-Make Quick-Break — Assured by design of cam mechanism and powerful springs. Positive operation in “ON” or “OFF” position results from design of the cross arm and Vacu-Break head linkage.

Easy Mounting — Mounting feet have captive bullet nosed screws added, which seat quickly and positively, reducing installation time.

Padlocking Member — Provides locking of handle in the “ON” or “OFF” position.

Fibre End Barriers — Insulated End Barriers prevent damage to wire during

installation and are designed with openings large enough to accommodate removable lugs (200 Amps and larger units).

High Pressure Spring Reinforced Copper Fuse Clips — Provided extra pressure at the contact points. Fuse clips are removable from the front in 7½” and 10” units and from the rear of 5” units.

Voidable Cover Interlock — Permits only authorized personnel to void the door interlock and open door with switch “on.” “Fool proof” mechanism will not permit door to be closed unless handle is in the correct position.

Specifications

Application

VB Panelboard Switches are intended for use in applications where:

1. Rugged constructions, reliable performance, continuity of service and ease of maintenance are emphasized, or
2. Available fault currents higher than 10,000A are likely to be encountered, in manufacturing plants, mass production industries and commercial, institutional and other large buildings served by network systems or transformers of high capacities.

Short Circuit Withstand Ratings

Suitable for use on systems capable of delivering not more than 200,000 RMS symmetrical amperes of fault current when Class J or R fuses are installed. 1200A switches are the exception, which are suitable for use on circuits capable of delivering not more than 100,000 RMS symmetrical amperes of fault current when Class L fuses are installed. Also, 100–800A switches with Class T fuses and field adapter kit, which are 200,000 RMS symmetrical rated.

Fuses

Fusible switches will accept the following UL Class fuses:

Class H

Class K

Class R or J with proper adapter kit

Class L — 800 and 1200A switches

Class T — 100–800 switches with proper adapter kit

Cover Interlocks

Voidable cover interlocks standard on all switches. Prevents cover from being opened when switch is in the “ON” position.

UL Listing

Listed by UL under file #E6849 as miscellaneous switches and also suitable for use as service equipment (where applicable). Meets UL98 standard for enclosed and deadfront switches.

NEMA Specifications

Meets NEMA standard KS-1-2001 for type HD switches.

Federal Specifications

Meets previous federal specifications W-S-865C for heavy duty switches (Type HD) Type 1 switches — general purpose enclosed (Type 1).

5
DISCONNECT
SWITCHES

Switch Rating	Maximum Withstand Ratings — 240V AC					Maximum Withstand Ratings — 600V AC				
	H, K Fuses	R Fuses	J Fuses	L Fuses	T Fuses	H, K Fuses	R Fuses	J Fuses	L Fuses	T Fuses
30–30	10,000	200,000 [Ⓢ]	—	—	—	10,000	200,000	200,000	—	—
30–60	10,000	200,000	200,000	—	—	10,000	200,000	200,000	—	—
60–60	10,000	200,000	200,000	—	—	10,000	200,000	200,000	—	—
60–100	10,000	200,000	200,000	—	—	10,000	200,000	200,000	—	200,000
100	10,000	200,000	200,000	—	200,000	10,000	200,000	200,000	—	200,000
100–100	10,000	200,000	200,000	—	200,000	10,000	200,000	200,000	—	200,000
200	10,000	200,000	200,000	—	200,000	10,000	200,000	200,000	—	200,000
200–200	10,000	200,000	200,000	—	200,000	10,000	—	200,000	—	—
400	10,000	200,000	200,000	—	200,000	10,000	200,000	200,000	—	200,000
600	10,000	200,000	200,000	—	200,000	10,000	200,000	200,000	—	200,000
800	—	—	—	200,000 [Ⓢ]	200,000 [Ⓢ]	—	—	—	200,000	200,000
1200	—	—	—	100,000 [Ⓢ]	—	—	—	—	100,000	—

Ⓢ 2½” units will not accept Class R or J fuse clip kits and are rated 10,000 AIC max.

Ⓢ Ratings are for 600V switches and fuses when used on a 240V max. AC system.

Disconnect Switches

Type VB Panelboard Units

Selection

Fusible Units For SB1, SB2 Switchboards and F1, F2 Panelboards

Catalog Numbering System

V **7** **E** **3** **2** **3** **3**

Vacu-Break Unit

Width
2 = 12" 7 = 17" M = 17" (Main)

Height
A = 2½" B = 5" E = 7½" F = 10" H = 15" S = 18.75"

Number of Poles
2 3

Voltage Rating
2 = 240V 6 = 600V

Amperes
0 = Single Unit
Double 1 = 30A 2 = 60A 3 = 100A 4 = 200A

Ampere Rating
1 = 30A 2 = 60A 3 = 100A 4 = 200A 5 = 400A 6 = 600A

Example: V7E3233 = **Vacu-Break Unit, 17" Wide, 7½" High, 3-Pole, 240 Volts, Double Branch Unit with 100 Amp Rating each side. Suffix letters MS indicate Main Switch.**

Vacu-Break® Fusible Units

2-Pole^①, 12" Wide

240V AC, 250V DC

Ampere Rating	Unit Height (inches)	Unit Depth (inches)	Horsepower Rating			Unit Lug Wire Range (Cu/Al) and Cables Per Pole	Weight (pounds)	Catalog Number
			240 Volt AC		250 Volt DC			
			Standard	Maximum				
30-30	2½ ^②	4½	1½	3	5	(1)-#14 to #8 (Cu Only)	5	V2A2211LR■
30-30	5	4½	1½	3	5	(1)-#14 to #4	9	V2B2211LR■
30-60	5	4½	1½-3	3-10	5-10	(1)-#14 to #2	9	V2B2212LR■
60-60	5	4½	3	10	10	(1)-#14 to #2	9	V2B2222LR■
100	7½	6¾	7½	15	20	(1)-#14 to #1/0	14	V2E2203LR■
200	7½	6¾	15	—	40	(1)-#6 to 350 kcmil	19	V2E2204LR■

3-Pole

240V AC, 250V DC

Ampere Rating	Unit Height (inches)	Unit Depth (inches)	Horsepower Rating		Unit Lug Wire Range (Cu/Al) and Cables Per Pole	Weight (pounds)	Catalog Number
			240 Volt AC				
			Standard	Maximum			

Branch Circuits, 12" Wide Units

30-30	2½ ^②	4½	3	7½	(1)-#14 to #8 (Cu Only)	5	V2A3211■
30-30	5	4½	3	7½	(1)-#14 to #4	9	V2B3211■
30-30	5	4½	3	7½	(1)-#14 to #4	9	V2B3211R ^③ ■
30-60	5	4½	3-7½	7½-15	(1)-#14 to #2	9	V2B3212■
30-60	5	4½	3-7½	7½-15	(1)-#14 to #2	9	V2B3212R ^③ ■
60-60	5	4½	7½	15	(1)-#14 to #2	9	V2B3222
60-60	5	4½	7½	15	(1)-#14 to #2	9	V2B3222R ^③ ■
100	7½	6¾	15	30	(1)-#14 to #1/0	14	V2E3203
200	10	6¾	25	60	(1)-#6 to 350 kcmil	21	V2F3204

Main Switch^④, 12" Wide Units, Back Connected

200	10	6¾	25	50	⑤	21	V2F3204MS■
-----	----	----	----	----	---	----	------------

For inches / millimeters conversion, multiply inches by 25.4.

■ Built to order. Allow 4-6 weeks for delivery.

① These units are available in LR (left, right) connection configurations only.

② This unit is not a Vacu-Break unit, but rather operates on a sliding contact, double break principle. Rated 10,000 AIC max. with either Class H or K fuses. Will not accept Class R fuse clip kits.

③ Units set up for R-fuse application only.

④ For 2-pole main switch (200A), use 3-pole main switch Vacu-Break unit.

⑤ Load-side furnished with spade type bolted terminal pads.

Disconnect Switches

Type VB Panel Units

Selection

Vacu-Break® Fusible Units for SB1, SB2 Switchboards and F1, F2 Panelboards

Ampere Rating	Unit Height (inches)	Unit Depth (inches)	Horsepower Rating			Lug Wire Range (Cu/Al) and Cables Per Pole	Unit Weight (pounds)	Catalog Number
			240 Volt AC		250 Volt DC			
			Standard	Maximum				
2-Pole^①, Branch Circuits, 17" Wide Units								
240V AC, 250V DC								
30-30	2½ ^②	6¾	1½	3	5	(1)-#14 to #8 (Cu Only)	5	V7A2211_①③■
30-30	5	6¾	1½	3	5	(1)-#14 to #4	9	V7B2211LR①○
30-30	5	6¾	1½	3	5	(1)-#14 to #4	9	V7B2211_①_R⑤
30-60 ^③	5	6¾	1½-3	3-10	5-10	(1)-#14 to #2	9	V7B2212LR④■
30-60 ^③	5	6¾	1½-3	3-10	5-10	(1)-#14 to #4	9	V7B2212LRR④■
60-60	5	6¾	3	10	10	(1)-#14 to #2	9	V7B2222_①③
60-60	5	6¾	3	10	10	(1)-#14 to #2	9	V7B2222_①_R⑤⑥
60-100 ^③	7½	6¾	3-7½	10-15	10-20	(1)-#14 to #1/0	18	V7E2223LR④■
100-100	7½	6¾	7½	15	20	(1)-#14 to #1/0	20	V7E2233_①○
200	7½	6¾	15	—	40	(1)-#6 to 350 kcmil	21	V7E2204_①□
400 ^③	15	10½	—	—	50	(2)-#4 to 500 kcmil	63	V7H2205LR④
600 ^③	15	10½	—	—	—	(2)-#4/0 to 500 kcmil	63	V7H2206LR④■

2-Pole, Main Switch, 17" Wide Units, Back Connected								
240V AC, 250V DC								
200 ^③	7½	6¾	15	—	40	⑦	21	V7E2204MS④■
400 ^③	15	10½	—	—	50	⑦	63	V7H2205MS④
600 ^③	15	10½	—	—	—	⑦	63	V7H2206MS④

3-Pole, Branch Circuits, 17" Wide Units								
240V AC								
30-30	2½ ^②	6¾	3	7½	—	(1)-#14 to #8 (Cu Only)	5	V7A3211
30-30	5	6¾	3	7½	—	(1)-#14 to #4	9	V7B3211
30-30	5	6¾	3	7½	—	(1)-#14 to #4	9	V7B3211R⑤
30-60	5	6¾	3-7½	7½-15	—	(1)-#14 to #2	9	V7B3212
30-60	5	6¾	3-7½	7½-15	—	(1)-#14 to #2	9	V7B3212R⑤
60-60	5	6¾	7½	15	—	(1)-#14 to #2	9	V7B3222
60-60	5	6¾	7½	15	—	(1)-#14 to #2	9	V7B3222R⑤
60	7½	6¾	7½	15	—	(1)-#14 to #1/0	13	V7E3202
60-100	7½	6¾	7½-15	15-30	—	(1)-#14 to #1/0	18	V7E3223
100-100	7½	6¾	15	30	—	(1)-#14 to #1/0	20	V7E3233
100-100	7½	6¾	15	30	—	(1)-#14 to #1/0	20	V7E3233R⑤
100	7½	6¾	15	30	—	(1)-#14 to #1/0	14	V7E3203
200-200	10	6¾	25	60	—	(1)-#6 to 300 kcmil	40	V7F3644⑥
200-200	10	6¾	25	60	—	(1)-#6 to 300 kcmil	40	V7F3244R⑤
200	10	6¾	25	60	—	(1)-#6 to 350 kcmil	21	V7F3204
400	15	10½	50	125	—	(2)-#4 to 500 kcmil	63	V7H3205
400	15	10½	50	125	—	(1) 1/0 to 750 kcmil	63	V7H3205750
600	15	10½	75	200	—	(2)-#4 to 500 kcmil	63	V7H3206

3-Pole, Main Switch, 17" Wide Units (Vertical Mount, Top Feed, Front Connected)								
240V AC								
400	18.75	10¾	50	125	—	—	—	VMS325T
600	18.75	10¾	75	200	—	—	—	VMS326T

3-Pole, Main Switch, 17" Wide Units (Vertical Mount, Bottom Feed, Front Connected)								
240V AC								
400	18.75	10¾	50	125	—	—	—	VMS325B
600	18.75	10¾	75	200	—	—	—	VMS326B

3-Pole, Main Switch, 17" Wide Units, Back Connected								
240V AC								
100	7½	6¾	15	30	—	⑦	14	V7E3203MS
200	10	6¾	25	60	—	⑦	21	V7F3204MS
400	15	10½	50	125	—	⑦	63	V7H3205MS
600	15	10½	75	200	—	⑦	63	V7H3206MS

For inches / millimeters conversion, multiply inches by 25.4.

- Built to order. Allow 4-6 weeks for delivery.
- MR suffix. Built to order. Allow 4-6 weeks for delivery.
- MR, LM suffix. Built to order. Allow 4-6 weeks for delivery.

- ① Order 2-pole branch circuit units by adding appropriate connection designation LM, LR or MR (indicating Left, Middle and Right, facing the panel).
- ② This unit is not a Vacu-Break unit, but rather operates on a sliding contact, double break principle. Rated 10,000 AIC max. with either Class H or K fuses. Will not accept Class R fuse clip kits.
- ③ MR not available.

- ④ Available as Type LR connection designation only.
- ⑤ Switches set up for R-fuse applications only.
- ⑥ Rated 600 Volts but factory configured to accept 250V Class H, K or R fuses. Field convertible for Class J fuses for 600V applications. Field convertible for 300V Class T fuse with TFAK42 kit.
- ⑦ Load-side furnished with spade type bolted terminal pads.
- ⑧ V7B2222MR not available

Disconnect Switches

Type VB Panel Units

Selection

Vacu-Break® Fusible Units For SB1, SB2 Switchboards and F1, F2 Panelboards

Ampere Rating	Unit Height (inches)	Unit Depth (inches)	Horsepower Rating				Lug Wire Range (Cu/Al) and Cables Per Pole	Unit Weight (pounds)	Catalog Number
			480 Volt AC		600 Volt AC				
			Standard	Maximum	Standard	Maximum			

2-Pole, Branch Circuits, 17" Wide Units^①

600V AC, 250V DC

30-30	7½	6¾	3	7½	3	10	(1)-#14 to #4	14	V7E2611LR [■]
30-60	7½	6¾	3-5	7½-20	3-5	20-25	(1)-#14 to #4	14	V7E2612LR [■]
100	7½	6¾	10	20	15	40	(1)-#14 to #1/0	14	V7E2603LR [■]

3-Pole, Branch Circuits, 17" Wide Units

600V AC, 250V DC

30-30	7½	6¾	5	15	7½	20	(1)-#14 to #4	14	V7E3611
30-30	7½	6¾	5	15	7½	20	(1)-#14 to #4	14	V7E3611R ^②
30	7½	6¾	5	15	7½	20	(1)-#14 to #4	14	V7E3601
30-60	7½	6¾	5-15	15-30	7½-15	20-50	(1)-#14 to #2	14	V7E3612
60-60	7½	6¾	15	30	15	50	(1)-#14 to #2	14	V7E3622
60-60	7½	6¾	15	30	15	50	(1)-#14 to #2	14	V7E3622R ^②
60	7½	6¾	15	30	15	30	(1)-#14 to #2	14	V7E3602
60-100	7½	6¾	15-25	30-60	15-30	50-75	(1)-#14 to #1/0	18	V7E3623
100-100	7½	6¾	25	60	30	75	(1)-#14 to #1/0	20	V7E3633
100-100	7½	6¾	25	60	30	75	(1)-#14 to #1/0	20	V7E3633R ^②
100	7½	6¾	25	60	30	75	(1)-#14 to #1/0	14	V7E3603
200-200	10	6¾	50	125	60	150	(1)-#6 to 300 kcmil	40	V7F3644J ^②
200	10	6¾	50	125	60	150	(1)-#6 to 350 kcmil	21	V7F3604
200	10	6¾	50	125	60	150	(1)-#6 to 350 kcmil	21	V7F3604R ^②
400	15	10½	100	250	125	350	(2)-#4 to 500 kcmil	63	V7H3605
400	15	10½	100	250	125	350	(1)-1/0 to 750 kcmil	63	V7H3605750
600	15	10½	150	400	200	500	(2)-#4/0 to 500 kcmil	63	V7H3606

3-Pole, Main Switch, 17" Wide Units (Vertical Mount, Top Feed, Front Connected)

600V AC, 250V DC

400	18.75	10¾	100	250	125	350	③	—	VMS365T
600	18.75	10¾	150	400	200	500	③	—	VMS366T

3-Pole, Main Switch, 17" Wide Units (Vertical Mount, Bottom Feed, Front Connected)

600V AC, 250V DC

400	18.75	17 ¹¹ / ₁₆	100	250	125	350	③	—	VMS365B
600	18.75	17 ¹¹ / ₁₆	150	400	200	500	③	—	VMS366B

3-Pole, Main Switch, 17" Wide Units, Back Connected

600V AC, 250V DC

100	7½	6¾	25	50	30	50	③	14	V7E3603MS [■]
200	10	6¾	50	125	60	150	③	21	V7F3604MS [■]
400	15	10½	100	250	125	350	③	63	V7H3605MS
600	15	10½	150	400	200	500	③	63	V7H3606MS

3-Pole, Switchboard Units, 21" Wide Units, Front Connected^⑤

600V AC, 250V DC

800	25	12¾	200	500	250	500	—	160	VF357TL or BL ^④
1200	25	12¾	—	—	—	—	—	160	VF358TL or BL ^④

3-Pole, Switchboard Units, 21" Wide, Back Connected

600V AC, 250V DC

800	25	12¾	200	500	250	500	—	160	VB357TL or BL [■]
1200	25	12¾	—	—	—	—	—	160	VB358TL or BL [■]

- Built to order. Allow 2-3 weeks for delivery.
- ◆ MR suffix only is available and built to order. Allow 2-3 weeks for delivery.
- BL suffix. Built to order. Allow 2-3 weeks for delivery.
- ① Catalog number for 2-pole branch circuit units indicate connection designation LM, LR or MR (indicating Left, Middle and Right, facing the panel).

- ③ Unit configured to accept class J fuses only. Also accepts 300V Class T fuses when used with TFAK42 adapter kit.
- ④ Load-side furnished with spade type bolted terminal pads.
- ⑤ Suffix "T" or "TL" indicates Top Feed. Suffix "B" or "BL" indicates Bottom Feed.
- ⑥ Back connected units are also available. Substitute the letter "B" (back connected) for the letter "F" (front connected) in the prefix of the catalog number. All other features are identical.

- ⑦ Available as Type MR designation only.
- ⑧ Switches set up for R-fuse applications only.
- ⑨ Available as Type LR designation only.

Disconnect Switches

Extension Kits

To extend Vacu-Break unit's depth, order the extension kit which meets the specifications of the unit to be extended. Specify by catalog number from the table to the right.

Unit Type	Unit Height (inches)	Normal Unit Depth (inches)	Extended Unit Depth (inches)	Catalog Number
V2A	2½	4⅞	6¾	W43000■
V2B	5	4⅞	6¾	W43002
V7A	2½	6¾	10½	W48762
V7B	5	6¾	10½	W48763
V7E	7½	6¾	10½	W48764
V7F	10	6¾	10½	W48765

Fuse Adapter Kits

Class R and Class J Fuse Kits are single unit part numbers. Order (2) kits for dual units. Class T Fuse Kits are single pole part numbers. Order (3) kits for a 3-pole unit. To order the kit which meets the specifications of the unit to be changed, specify by catalog number from the tables below.

240 Volt Fuse Adapter Kits

Switch Amperage	Class R Kits	Class J Kits	Class T Kits
	Catalog Number	Catalog Number	Catalog Number
30Ⓣ	Factory Inst.	—	—
60	W56628	—	—
100	W55365	W49827	TFAK32
200	W55366	W49819	TFAK42
400	W55367	W49814	TFAK52
600	W55368	W49813	TFAK62

600 Volt Fuse Adapter Kits

Switch Amperage	Class R Kits	Class J Kits	Class T Kits
	Catalog Number	Catalog Number	Catalog Number
30	W56623	W49832	—
60	W56629	W49830	—
100	W55365	W49828	TFAK35
200	W55366Ⓣ	W49818Ⓣ	TFAK45
400	W55367	W49816	TFAK55
600	W55368	W49815	TFAK65
800	—	—	TFAK75

Vacu-Break Connecting Strap Kits For Panelboards and Switchboards

Ampere Rating	240V Unit Height (inches)	600V Unit Height (inches)	S4/F1, FPP (10" Deep) Strap Kit	S5/F2 (12.75" Deep) Strap Kit	SB1, SB2, SB3, FC-20, FC-1, VB-5, VB-6, Strap Kit
30-30	2.5	—	F602	F602D	—
30-30	5	7.5	F657	F657D	VB657
30-60	5	7.5	F657	F657D	VB657
60-60	5	7.5	F657	F657D	VB657
60-100	7.5	7.5	F657	F657D	VB657
100-100	7.5	7.5	F657	F657D	VB657
100	7.5	7.5	F657	F657D	VB657
200	7.5, 10	7.5, 10	F671	F671D	VB671
200-200	10	10	F672	F672D	VB610
400	15	15	—	—	VB6150
600	15	15	—	F6150D	VB6150

Ordering Information

Catalog Number	Description
Fuse Clip Kits	
VBFCL3Ⓣ	100A for V2E & V7E units (6) fuse clips per kit
VBFCL4Ⓣ	200A for V2E, V2F, V7E & V7F units (6) fuse clips per kit
VBFCL5Ⓣ	400A for V7H & VMS units (3) fuse clips per kit
VBFCL6Ⓣ	600A for V7H & VMS units (3) fuse clips per kit
Lug Kits	
VBRL4	200A for V2F, V7E & V7F units (3) lugs per kit
VBRL5	400A for V7H units (6) lugs per kit
VBRL6	600A for V7H units (6) lugs per kit
Handle Kits	
VBRHK1232	100A for twin V2E & V7E units (2) handles per kit
VBRHK41	200A for single V2E, V2F, V7E & V7F units (1) handle per kit
VBRHK42	200A for twin V7F units (2) handles per kit

For inches / millimeters conversion, multiply inches by 25.4.

■ Built to order. Allow 2-3 weeks for delivery.

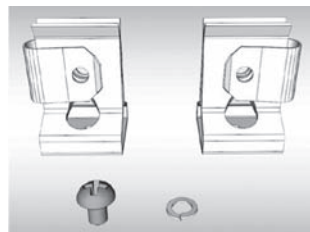
Ⓣ For 200 A single units only. Dual units are suitable for Class J only, when used above 240V.

Ⓣ5" unit height switches only.

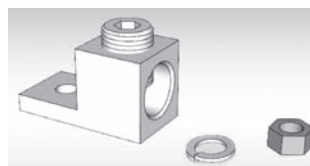
Ⓣ For single units only.

Ⓣ Fuse clips provided can be used on both the line and load sides.

Ⓣ Three line and three load fuse clips are provided.



VBFCL4



VBRL4



VBRHK41

Disconnect Switches

Type HCP Switchboard Units, Accessories

Selection

Features

- UL Listed under file number E6849 Vol 1, Sect. 8
- 400-1200A ratings
- Visible contacts
- Field installable shunt trip and auxiliary switch accessory kits
- Installs in existing Siemens switchboards and power panelboards
- Suitable for use on systems with up to 200,000A available fault current, RMS symmetrical when equipped with Class J or Class L fuses
- Group mounts with other 30A through 600A switches, and 100 through 1200 amp frame breakers
- Allows 800A and 1200A switches in standard 38" wide distribution sections in either main or branch configurations
- 16 1/4" mounting height is the smallest 1200A design in the industry, allowing up to 4 units in one vertical section
- Field reversible horizontal mounting design for left or right hand cabling
- Handle can be padlocked in the OFF position with up to three padlocks with 5/16" hasps. A cover padlocking provision is also supplied



3-Pole, Horizontal Mount^①

Catalog Number	Maximum Ampere Rating	Maximum AC Voltage Rating ^②	Fuse Class	Dimensions (inches*)			Horsepower Rating						
							240V		480V		600V		250V DC
				H	W	D	Std	Max	Std	Max	Std	Max	
HCP367HJ400	400	600	J	16.25	17.22	7.38	50	125	100	250	125	350	40
HCP367HJ600	600	600	J	16.25	17.22	7.38	75	200	150	400	200	400	40
HCP327HT	800	240	T	16.25	17.22	7.38	100	250	—	—	—	—	50
HCP367H	800	600	L	16.25	17.22	7.38	100	250	200	500	250	500	50
HCP328HT	1200	240	T	16.25	17.22	7.38	100	250	—	—	—	—	50
HCP368H	1200	600	L	16.25	17.22	7.38	100	250	200	500	250	500	50

3-Pole, Vertical Mount

HCP367VJ400	400	600	J	17.00	16.25	7.38	50	125	100	250	125	350	40
HCP367VJ600▲	600	600	J	17.00	16.25	7.38	75	200	150	400	200	400	40
HCP327VT	800	240	T	17.00	16.25	7.38	100	250	—	—	—	—	50
HCP367V	800	600	L	17.00	16.25	7.38	100	250	200	500	250	500	50
HCP328VT	1200	240	T	17.00	16.25	7.38	100	250	—	—	—	—	50
HCP368V	1200	600	L	17.00	16.25	7.38	100	250	200	500	250	500	50

Accessories

Terminal Connectors (one lug per kit)

Ampere Rating	Catalog Number	Connector Wire Range
400-600A	TA2K500	(2) #1 AWG-500 kcmil (Cu or Al)
400-600A	TC2K500	(2) #1 AWG-500 kcmil (Cu only)
400-800A	TA3K500	(3) #1 AWG-500 kcmil (Cu or Al)
400-800A	TC3K350	(3) #1 AWG-350 kcmil (Cu only)
800-1200A	TA4H500	(4) #2 AWG-500 kcmil (Cu or Al)
800-1200A	TA3H750	(3) 500-750 kcmil (Cu or Al)

Auxiliary Switch Kits

Contact Ampere Rating	Maximum Voltage		Switch Mounting	Contacts	Catalog Number
	AC	DC			
15A	480	125	Left Pole	1NO/1NC	A01HCP4▲
15A	480	125	Right Pole	1NO/1NC	A01HCP4

Shunt Trip Kit

Control Voltage		Catalog Number
AC	DC	
120	—	HCPST120
240	—	HCPST240▲
277	—	HCPST277
480	—	HCPST480▲

Switchboard Connection Strap Kit^①

Switch Ampere Rating	Catalog Number
400-1200A	F6162D

*For inches / millimeters conversion, multiply inches by 25.4.

▲ Built to order. Allow 6-8 weeks for delivery.
 ① For horizontal mounting only in either 38" wide min switchboards or S5/F2 power panelboards.

② Both 240 and 600V AC switches are also rated 250V DC max.

T Fuse Adapter Kits (one per pole)

Catalog Number	Description
TFAK72	800A, 300V AC
TFAK75	800A, 600V AC
TFAK82	1200A, 300V AC

HCP Replacement Handle Kit (For use on all HCP switches)

SW Ampere Rating	Catalog Number
400-1200A	HCPHK

Compression Lug Adapter Kit

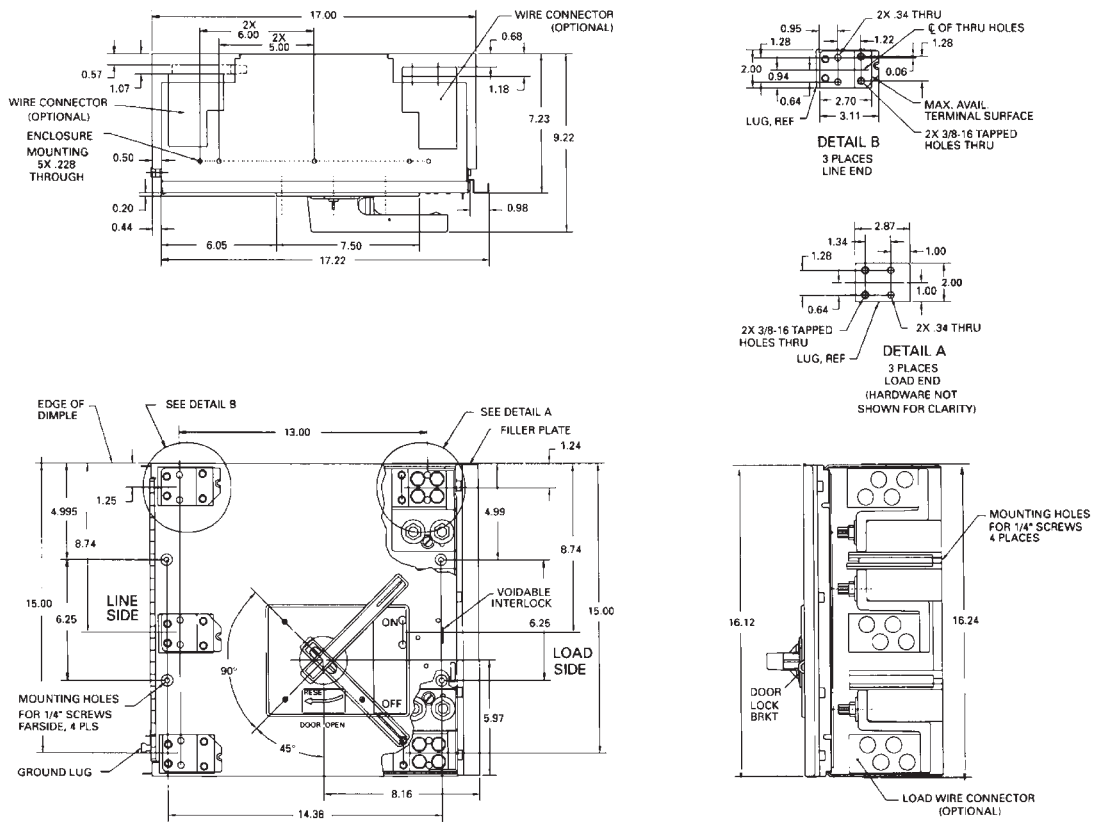
The use of this kit provides for the mounting of up to four lugs per phase. Each kit accepts lugs with (2) 3/8" diameter mounting holes on 1" centers. One kit per pole line or load is required. Lugs are not provided.

Disconnect Switches

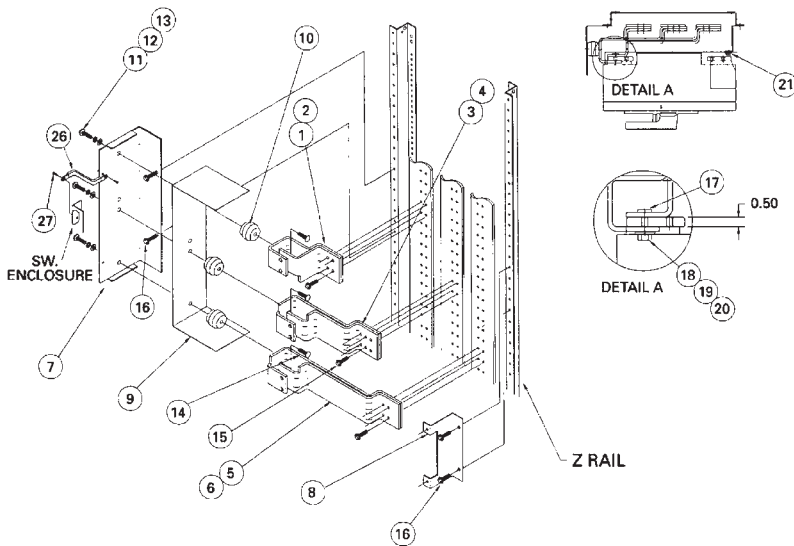
Type HCP Switchboard Units

Dimensions

Horizontal Mount Drawing



Group Mounting Assembly (Horizontal Mount Only)



Note: Right exit shown, rotate 180° for left exit
 Note: Items 26 & 27 are used to ground the switch enclosure (Route bonding wire along flange)

Item	Parts Supplied in Connection Strap Kit Cat. No. F6162D	Qty.
1-2	A/C Ø Strap (Short)	1ea.
3-4	B Ø Strap	1ea.
5-6	A/C Ø Strap (Long)	1ea.
7-8	Switch Mounting Bracket	1ea.
9	Insulation	1
10	1-3/8" Insulator	3
11	3/8-16 X 3/4" HHMS	3
12	3/8" Lock Washer	3
13	3/8" Flat Washer	3
14	3/8-16 X 3/4" RHSNB	3
15	Strap Bus Hardware Kit	2
16	1/4-28 X 3/8" SHWHSW	4
17	5/16-18 Insert	6
18	5/16-18 X 1" SRHMS	6
19	5/16 Flat Washer	6
20	5/16 Lock Washer	6
21	1/4-20 X 1" SRHMS	2
26	Ground Bracket	1
27	10-32 X 1/4" SHWHSW	2

