

Sentron® Busway Systems – Reference Information

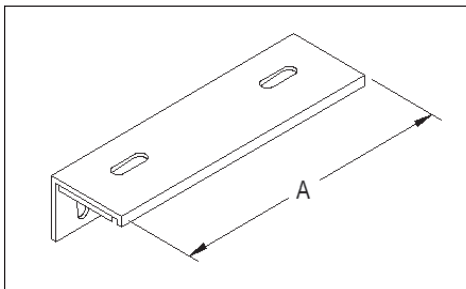
Hangers

Selection

Structural Steel Hanger, Dimensions and Catalog Numbers			
Ampere Rating		"A" Dimensions Inches (mm)	Catalog Number
AL	L-Rated		
225	—	10.0 (254)	SXSS1
400	—	10.0 (254)	SXSS1
600	—	10.0 (254)	SXSS1
800	400	10.0 (254)	SXSS1
1000	600	10.0 (254)	SXSS1
1200	800	10.0 (254)	SXSS1
1350	1000	13.5 (343)	SXSS2
1600	1200	13.5 (343)	SXSS2
2000	1350,1600	13.5 (343)	SXSS2
2500	2000	18.5 (470)	SXSS3
3000	2500	18.5 (470)	SXSS3
3200	2000	18.5 (470)	SXSS3
4000	3000,3200	23.0 (584)	SXSS4
CU	M-Rated		
225	—	10.0 (254)	SXSS1
400	—	10.0 (254)	SXSS1
600	—	10.0 (254)	SXSS1
800	400	10.0 (254)	SXSS1
1000	—	10.0 (254)	SXSS1
1200	600	10.0 (254)	SXSS1
1350	800	10.0 (254)	SXSS1
1600	1000	10.0 (254)	SXSS1
2000	1200,1350	13.5 (343)	SXSS2
—	1600	13.5 (343)	SXSS2
2500	2000	13.5 (343)	SXSS2
3000	—	13.5 (343)	SXSS2
3200	—	13.5 (343)	SXSS2
4000	2500,3000,3200	13.5 (343)	SXSS2
5000	4000	23.0 (584)	SXSS4

Structural Steel Hanger

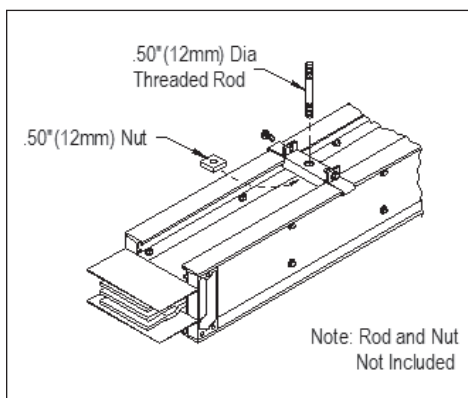
A complete offering of hangers is available to support Sentron Busway in both vertical and horizontal applications. Structural Steel hangers support Sentron Busway in horizontal applications on 10 ft. (3.05m) centers. Additional hangers may be used if structural requirements mandate their use.



Single Drop Rod Hanger, Catalog Numbers		
Ampere Rating		Catalog Number
AL	L-Rated	
225	—	SXDRA1
400	—	SXDRA1
600	—	SXDRA1
800	400	SXDRA2
1000	600	SXDRA3
1200	800	SXDRA4
1350	1000	SXDRA5
1600	1200	SXDRA6
2000	1350,1600	SXDRA7
2500	2000	—
3000	2500	—
3200	2000	—
4000	3000,3200	—
CU	M-Rated	
225	—	SXDRC1
400	—	SXDRC1
600	—	SXDRC1
800	400	SXDRC1
1000	—	SXDRC2
1200	600	SXDRC3
1350	800	SXDRC4
1600	1000	SXDRC5
2000	1200,1350	SXDRC6
—	1600	SXDRC6
2500	2000	SXDRC7
3000	—	—
3200	—	—
4000	2500,3000,3200	—
5000	4000	—

Single Drop Rod Hanger

A complete offering of hangers is available to support Sentron Busway in both vertical and horizontal applications. Single drop rod hangers support Sentron Busway in horizontal applications on 10 ft. (3.05m) centers. Additional hangers may be used if structural requirements mandate their use. The contractor must supply drop rods to complete assembly for single drop rod hangers.



Note: Drop rod hangers can only be used when phase arrows are pointing up.

15

BUSWAY SYSTEMS