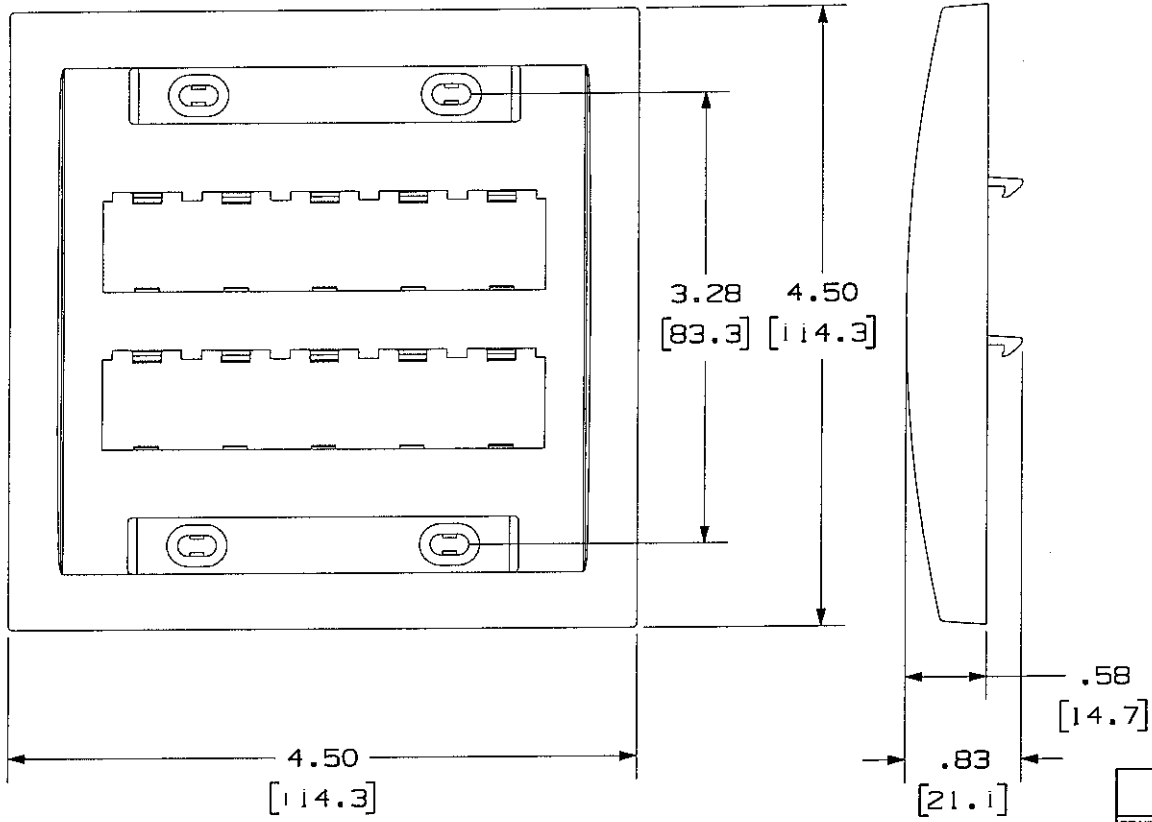


THIS COPY IS PROVIDED ON A RESTRICTED BASIS AND IS NOT TO BE USED IN ANY WAY DETRIMENTAL TO THE INTERESTS OF PANDUIT CORP.

PANDUIT P/N	WEIGHT
CFPE10**-2GY	.99 LB/10 PCS 449.0 g/10 PCS

- NOTES:
- SEE CURRENT CATALOG FOR ADDITIONAL PART NUMBER SUFFIXES TO INDICATE COLOR AND OR PACKAGE QUANTITY.
  - SEE CATALOG FOR COMPLETE LIST OF PARTS APPLICABLE FOR USE WITH THIS PART.
  - DIMENSIONS IN [ ] ARE IN METRIC.
  - PART INCLUDES:
    - 1- FACEPLATE
    - 2- LABEL
    - 2- LABEL COVER
    - 4- MOUNTING SCREW



NETWORK SYSTEMS  
MAY 25 2006  
ENGINEERING DEPT

DRAWING FILENAME M02479EY_DC131_00A.PRT		SIZE <b>A</b>
MINI-COM 10 POSITION DOUBLE GANG EXECUTIVE SERIES FACEPLATE CUSTOMER DRAWING		
	PANDUIT <sup>TM</sup> CORP. TINLEY PARK, ILL 60477	I.I. NUMBER N/A
ALL DIMENSIONS ARE GIVEN IN INCHES, UNLESS OTHERWISE SPECIFIED. DIMENSIONAL TOLERANCES ARE: (.X) ± (.XXX) ± .010(.3) (.XX) ± .03(.8) ANGLES ±		PRODUCT SPEC N/A
THIRD ANGLE PROJECTION		WORK INSTRUCTION N/A
DRAWN BY JsP		SCALE NONE
DATE 4-26-06		PART NO. CFPE10**-2GY
MATERIAL ABS		DRAWING NO. 02479-131

REV	DATE	BY	CHK	DESCRIPTION	ECN	R	CUST	SUP	OTH
R	4-26-06	JsP	<i>[Signature]</i>	RELEASED TO PRODUCTION	02479-131				