



EK4536

Standard Electronic Photo Control

Typical Applications

- Roadways
- Area lighting
- Areas with variable sky conditions
- Floodlights and security lighting
- Ideal for dusk-to-dawn control of standard LED fixtures totaling 1650 W @ 277 VAC

Regulatory Listings

- ANSI C136.10-2010 compliant
- CSA certified to both U.S. (UL773) & Canadian (TIL A15) safety standards
- RoHS compliant

Operating Specifications

- Voltage: 105-305 VAC, 50/60Hz
- Load rating: 1000 Watts Tungsten/1800 VA Ballast
- LED load rating: 6 Amps Electronic Ballast
- Dielectric strength: 2500 VAC
- Operating ambient temperature range: -40°F to 158°F (-40°C to 70°C)
- Instant turn ON light level 1.2 - 3 FC
- Turn OFF to ON ratio 1:1.5 with 2-5 second delay
- OFF light level: 2-5 FC
- Power consumption <.5W @ 277 VAC
- 510 Joule MOV

Advanced Design Details

- Zero-cross technology helps device withstand severe in-rush current to extend relay life
- Conformally coated
- 5KV between all current carrying parts
- Non-drifting silicon light sensor IR filtered for human eye response
- Fail Mode ON
- Exceeds 7,500 operations
- All components meet 15-year life requirements
- Fits standard locking-type receptacles

Warranty

- Limited 8-year manufacturer's warranty

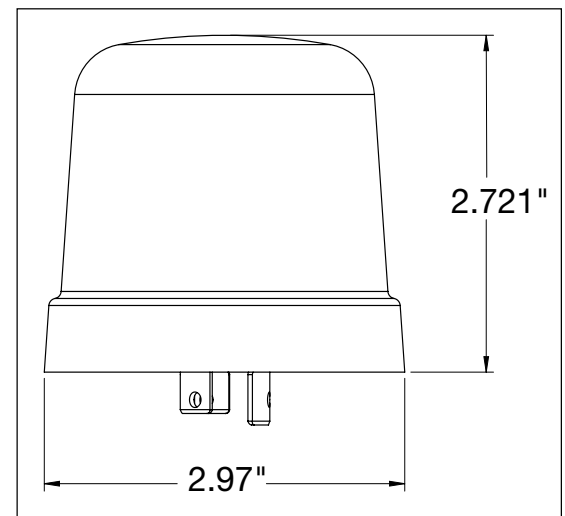
Project: _____

Location: _____

Product Type: _____

Contact/Phone: _____

Model #: _____



Model Number	Max VAC	Tungsten (Watts)	Ballast (VA)	Electronic Ballast (LED)	Turn ON Foot Candles (Ftc)	Turn OFF to ON Ratio
EK4536	105-305	1000	1800	6 Amps	1.2-3 FC	1:1.5 2-5 second delay 2-5 FC OFF

Specification

The electronic photo control shall be a solid-state locking-type control. Switch operation shall have a rating of _____ Watts and _____ Amp tungsten and _____ Watts and _____ Amp ballast at _____ VAC. For high in-rush LED type fixtures, the photo control switch operation shall have a _____ Amp Electronic Ballast rating _____ VAC. The photo control must have the solid state light sensor integrated with the rest of the electronic components. The photo control operating voltage shall be clearly identified on the control housing. The photo control shall be equipped with inherent delay action eliminating activation by light flashes. The photo control shall be equipped with standard 3-prong twist and locking-type plug connection. The plug connection terminals shall be solid brass. The photo control shall consist of industrial grade electronic components, 510 Joule MOV, solid state light sensor, and silver alloy relay contacts. The photo control shall be 100% factory tested and function within specified light levels. The photo control shall be agency certified and tested accordingly. The photo control shall meet agency standards for locking-type devices and all other requirements of ANSI C136.10-2010. The photo control shall operate over a temperature range of -40°F to 158°F (-40°C to 70°C). The photo control shall be the electronic dusk-to-dawn type, Intermatic model EK4536.