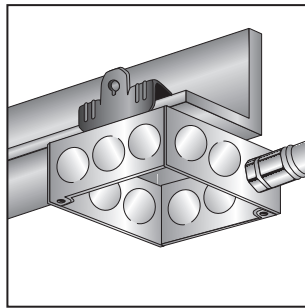
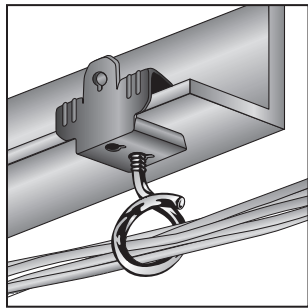


BEAM CLAMPS

Static Load Limit: 75lbs or 100lbs

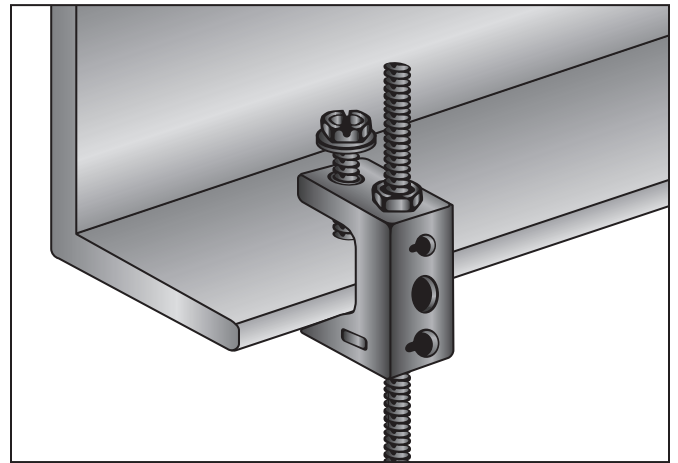
- Can be used to suspend boxes, fixtures and bridle rings to beam flanges 1/8" to 3/4" thick.
- Beam Clamp with 1/4"-20 x 3/8" staked stud used to suspend box from bottom of beam.

NOTE: Static load limits cannot be combined.

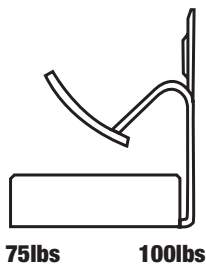


Static Load Limit: 100lbs

- Fast installation; fits beam flange to 1/2".
- Used with 1/4" and 3/8" threaded rod, "S" hooks, conduit hangers, electrical boxes, and #10-24 or 1/4"-20 bridle rings.
- Tapping 1/4"-20 bottom and back. Also #10-24 tapping on back.



Static Load Limit



75lbs

100lbs

BC18

BC916ST

500

Flange Thickness	Part #	Std Pkg
Bottom & Back Tapped 1/4"-20		
1/8-1/4	BC18 ★	100
5/16-1/2	BC516 ★	100
9/16-3/4	BC916 ★	100
1/4"-20 x 3/8" Stud		
1/8-1/4	BC18ST	100
5/16-1/2	BC516ST	100
9/16-3/4	BC916ST	100

Accommodates		Part #	Std Pkg
Flange	Drop Rod		
Up to 1/2" Thick	1/4-3/8"	500	100

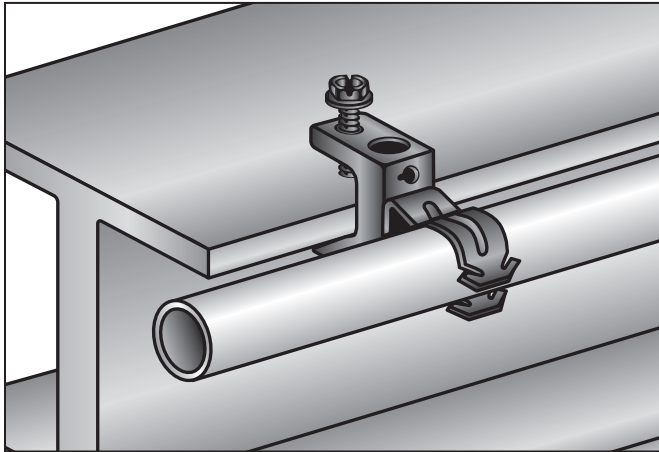
★ Made in USA

BEAM CLAMP TO CONDUIT HANGER ASSEMBLIES

Ultimate Static Load Limit:

25lbs Vertical Position
15lbs Horizontal Position

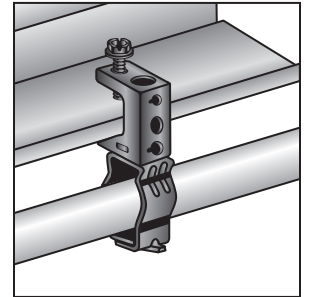
- Our #500 beam clamp with conduit hanger attached.



Static Load Limit:

100lbs Vertical Position
25lbs Horizontal Position

- Part #500 beam clamp with conduit hanger attached.



500KC1234



50050



50050B



500KC1234B

Fits EMT	Fits Rigid/IMC	Part #	Std Pkg
1/2	—	50050	100
3/4	1/2	50075	100
1	3/4	500100	100
1/2	—	50050B	100
3/4	1/2	50075B	100
1	3/4	500100B	100

Fits Conduit	Part #	Std Pkg
1/2 & 3/4	500KC1234	100
1	500KC1	100
1 1/4	500KC114	100
1 1/2	500KC112	100
2	500KC2	100
1/2 & 3/4	500KC1234B	100
1	500KC1B	100