

Motor Disconnect Switches and Specialty Enclosures

Product information

Non-Metallic
or
Stainless Steel.



Motor Disconnect Switches and Specialty Enclosures

Product information

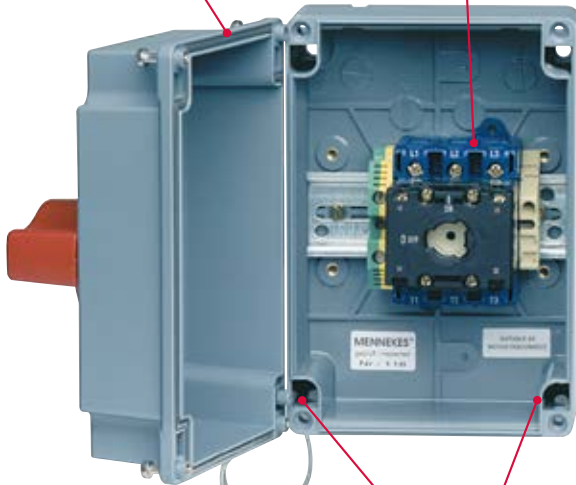
MENNEKES® offers a full line of both Non-Metallic and Stainless Steel Disconnect Switches.

Units range from 20 Amp - 200 Amp and are rated up to 150 HP @ 480 Vac. Several enclosure sizes and styles are available to maximize installation and design options.

Poured-in-place gasket never pulls out for a long lasting NEMA 4X seal.

HP rated disconnect switch with top profile auxiliary contacts for VFD Interface. DIN rail mounting facilitates installation and service requirements.

Impact modified enclosure is resistant to many chemicals and made with UL 94 V-O flame retardant materials.



Unit shown: ME 30MS1A-M2

Shown with optional cover retaining strap.

Mounting tubes minimize footprint; mounting feet are not required.

Captive stainless steel fixing screws.

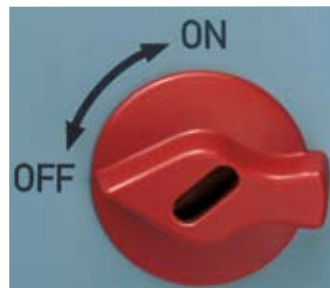
Rugged handle clearly indicates ON/OFF status & complies with OSHA LO/TO regulations.

Hidden Hinge System



Available on MS2A enclosure.

High Visibility Handle



Clean design does not "puddle" or hold particles.

Model with Installed Control Switch



Disconnects with 3-position selector switch are factory stocked.

Motor Disconnect Switches and Specialty Enclosures

HDI Series ■ Non-Fusible ■ 20 & 200 Amp; NEMA 4X; 12



Rated Current 600V max.	HP Ratings			Catalog No. (with aux. contacts)	With Installed 3 Position Selector Switch
	3Ø240V	3Ø480V	3Ø600V		
Standard Enclosure					
25A	3	5	5	ME 20MS1A-M2	ME 20MS4A-M2PSX
30A	7.5	15	15	ME 30MS1A-M2	-
30A	5	10	10	ME 32MS1A-M2	ME 30MS4A-M2PSX
40A	10	20	20	ME 40MS1A-M2	-
Large Enclosure					
25A	3	5	5	ME 20MS2A-M2	ME 20MS2A-M2PSX
30A	7.5	15	15	ME 30MS2A-M2	ME 30MS2A-M2PSX
40A	10	20	20	ME 40MS2A-M2	ME 40MS2A-M2PSX
80A	20	40	40	ME 80MS2A-M2	ME 80MS2A-M2PSX
100A	25	50	50	ME 100MS2A-M2	ME 100MS2A-M2PSX
125A	40	75	100	ME 125MS3A-M2	-
200A	75	150	200	ME 200MS6A-M2	-
6 Pole Disconnects					
30A	7.5		15	ME 306MS2A-M2	
60A	10		20	ME 606MS2A-M2	
80A	20		40	ME 806MS3A-M2	

Auxiliary Contacts - 10 A@ 600 Vac 1 N/O & 1 N/C

Compliances and Performance:

- "Suitable as Motor Disconnect" per 2002 NEC Article 430-109(a)(6)
- UL Standard 508
- ULus to CSA 22.2 No. 14-M95
- Environmental: NEMA Type 4X; 12
- Flame Rating: UL 94-5VA and VO
- UV Stabilized Material
- SCCR - 65kA RMS Symmetrical when protected with equally sized Class J Fuse

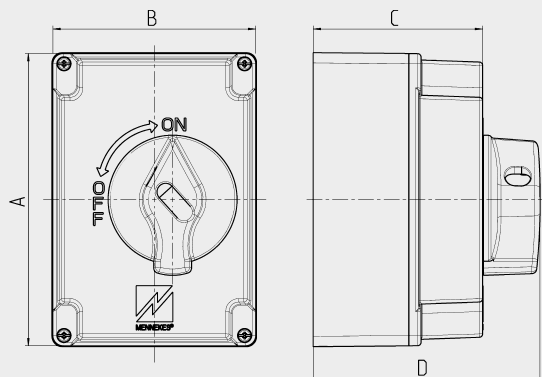
Field mountable auxiliary contact

1 N/O & 1 N/C

For models with max. HP	Catalog No.
5 hp & 10 hp	ME 20AUX
15 hp & 20 hp	ME 30AUX
40 hp & 50 hp	ME 80AUX
100 hp	ME 125AUX

Replacement Switches

Ratings	Catalog No.
5 hp	ME 20XMS1-M2
10 hp	ME 32XMS1-M2
15 hp	ME 30XMS1-M2
20 hp	ME 40XMS2-M2
40 hp	ME 80XMS2-M2
50 hp	ME 100XMS2-M2
75 hp	ME 125XMS3-M2



Approximate Dimensions (in inches)

	MS1A/MS4A	MS2A
A	6.69	10.31
B	4.63	6.56
C	3.81	5.03
D	5.23	6.25

For other enclosure sizes consult factory

Accessories and Replacement Parts



Plug guard

Lockout / Tagout device for use on any IEC 60309-2 Pin & Sleeve Plug or Inlet.

Catalog No. **ME PG1**

Replacement Switches for HDI Motor Disconnect Switches

For Models with max. HP	Catalog No.
5 hp	ME 20XMS1-M2
10 hp	ME 32XMS1-M2
15 hp	ME 30XMS1-M2
20 hp	ME 40XMS2-M2
40 hp	ME 80XMS2-M2
50 hp	ME 100XMS2-M2

Replacement Covers for Motor Disconnect Switches

Enclosure Type	Catalog No.
MS1A	ME MS1-RC
MS4A	ME MS4-RC
MS2A	ME MS2-RC
MS5A	ME MS5-RC

Field mountable Auxiliary Contact Blocks 1 N/O & 1 N/C for Motor Disconnect Switches

For Models with max. HP	Catalog No.
5 hp & 10 hp	ME 20AUX
15 hp & 20 hp	ME 30AUX
40 hp & 50 hp	ME 80AUX

Field installable Hinge Kits for Motor Disconnect Switches

Enclosure Type	Catalog No.
MS1A; MS4A	ME 106061
MS2A; MS5A	ME 19307000

Mounting Feet Kits for Motor Disconnect Switches

Enclosure Type	Catalog No.
MS1A; MS4A	ME 236MIMF
MS2A; MS5A	ME MS2MF

Stainless Steel Mounting Plates with Stand-Offs for SPEC Grade Series

(Provided with Stainless Steel 3/4" Stand-Offs and Enclosure Mounting Screws)

For Models	Catalog No.
ME 30SLP1A-M2; SLPB1A; SLPB1A-30.5	PB1-MP-KIT
ME 30SLP1A-M2V2; SLPB2A; SLPB2A-30.5	SLP1AV2-MP-KIT
ME 20SLP2A-M2; ME 30SLP2A-M2; ME 40SLP2A-M2; ME 60SLP2A-M2	SLP2A-MP-KIT
ME 30SLP2A-M2V2; ME 40SLP2A-M2V2	SLP2AV2-MP-KIT
ME 100SLP3A-M2	SLP3A-MP-KIT
ALL SLPMI PART NOS. AND SPX1A ASSEMBLIES	SLPMI-MP-KIT