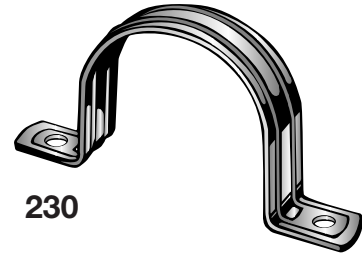
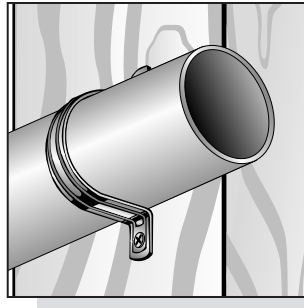


Quality since 1894

- *Two-hole metal straps are designed for use on loads too heavy to be supported by one-hole Jiffy Clips.*
- *Pre-Galvanized steel or zinc plated after fabrication depending on size*
- *Available in zinc plated steel or made from stainless steel for corrosive environments*
- *Turn to page 148 for Dimension Chart on these parts.*



Conduit Strap - Two-Hole Metal

Catalog Number	Zinc Plated Steel Fits EMT	Std Pkg
230	1/2"	100
245	3/4"	100
255	1"	100
265	1-1/4"	100
275	1-1/2"	100
285	2"	100
292	2-1/2"	50
294	3"	25

Catalog Number	STAINLESS STEEL Fits EMT	Std Pkg
230SS	1/2"	100
245SS	3/4"	100

Also available made from Brass or Hot Dip Galvanized steel. Call Customer Service for pricing and minimum order quantities.

For information on Plastic Two-Hole Straps, available in nine sizes, turn to page 87.

Catalog Number	Zinc Plated Steel Fits Rigid or BX	Std Pkg
225	1/4"	100
228	3/8"	100
240	1/2"	100
250	3/4"	100
260	1"	100
270	1-1/4"	100
280	1-1/2"	100
290	2"	50
292	2-1/2"	50
294	3"	25

Catalog Number	STAINLESS STEEL Fits Rigid or BX	Std Pkg
240SS	1/2"	100
250SS	3/4"	100

Also available made from Brass or Hot Dip Galvanized steel. Call Customer Service for pricing and minimum order quantities.

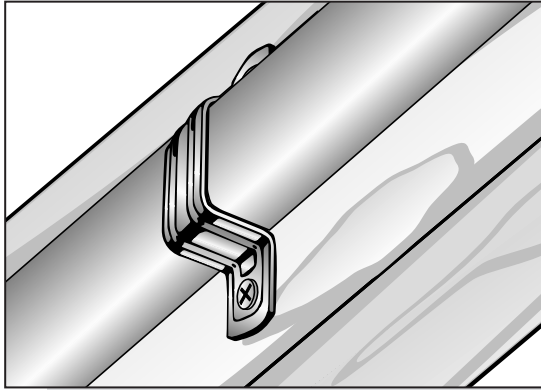
For information on Plastic Two-Hole Straps, available in nine sizes, turn to page 87.

- When ordering less than a standard package, there is a 25% minimum surcharge.
- When ordering, please use catalog number. For shipping weight, see the index.
- For product samples, please fax our Marketing Department.



Traditional Series

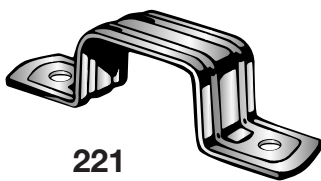
Conduit/Cable/Wire



Service Entrance Straps - Two Hole

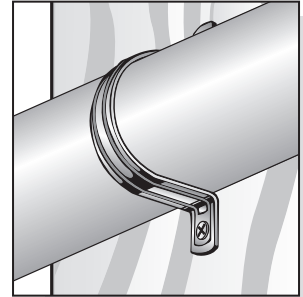
- Secures type SEU service entrance cables
- Pre-Galvanized Steel
- Turn to page 148 for Dimension Chart on these parts.

Catalog Number	Description for SEU	Std Pkg
221	UF	100
212	Inside Width .635"	100
223	2	100
2203	1, 1/0, 2/0	100
2403	3/0, 4/0	100

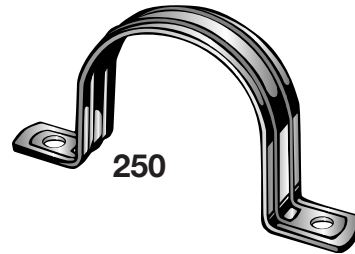


221

- Secures type SER & BX service entrance cables
- Available made from pre-galvanized steel or stainless steel
- Turn to page 148 for Dimension Chart on these parts.



Service Entrance Straps - Two Hole



250

Catalog Number	Zinc Plated Steel Description for SER & BX	Std Pkg
225	BX, SER 8	100
228	6	100
230	4	100
240	2	100
245	1, 1/0	100
250	2/0	100
255	3/0	100
260	4/0	100

Catalog Number	STAINLESS STEEL Description for SER & BX	Std Pkg
230SS	4	100
240SS	2	100
245SS	1, 1/0	100
250SS	2/0	100