

SPECIFICATION & FEATURES

STEEL EMT CONNECTOR SET-SCREW TYPE 1/2" ~ 1"

DESCRIPTION:

Orbit Industries' non-insulated set-screw steel EMT connectors are used in dry locations to bond EMT thinwall conduits to electrical junction boxes or enclosures. The steel construction ensures mechanical protection to the conduit and designated electrical junction box or enclosure. In addition, in damp locations, set-screw connectors are of excellent corrosion protection with zinc electroplated. Orbit Industries set-screw couplings are made with a diverse combination head screw that can securely fasten one conduit to another using a slotted Phillips, or Robertson head screw driver.



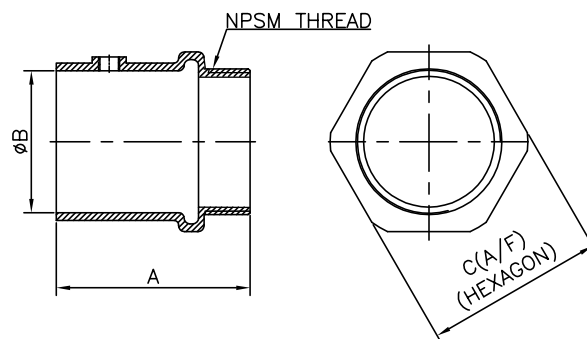
CERTIFICATION:

UL file E310660, conforms to UL 514B.

FEATURES:

- Steel
- Electroplated Zinc
- Concrete-Tight when taped
- Suitable for applications above 600V
- Sizes 2-1/2" to 4" are also listed for RIGID and IMC Conduits

LINE DRAWINGS:



CONFIGURATION DATA:

Part No.	Trade Size	A	B	C	Screw Size	Std. Pkg.	Master Ctn.
OF7701	1/2"	1.331"	0.724"	0.965"	12-24 UNC X 0.3" FHCP	50	500
OF7702	3/4"	1.614"	0.941"	1.201"	12-24 UNC X 0.3" FHCP	25	250
OF7703	1"	2.020"	1.181"	1.465"	12-24 UNC X 0.3" FHCP	10	100

