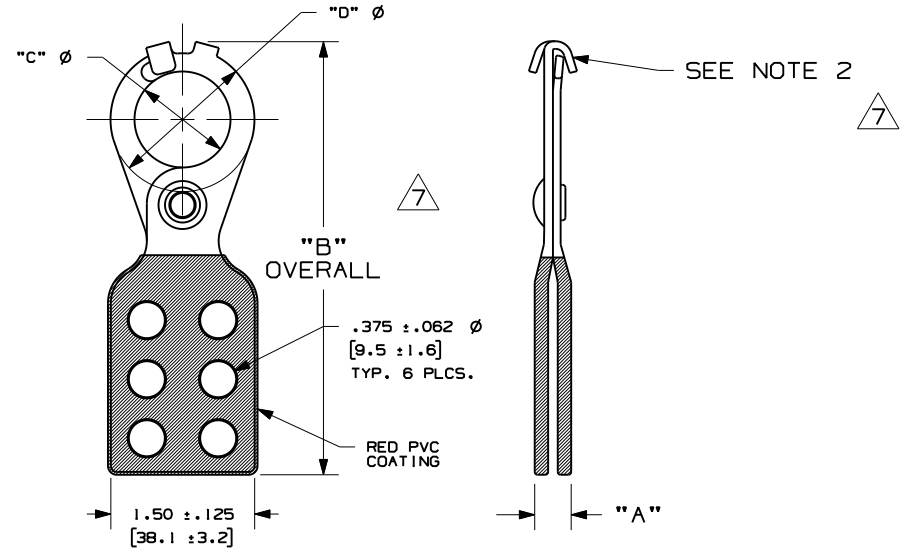


| PART NUMBER | DESCRIPTION  | MAX. NO. LOCKS. | STANDARD PKG. |
|-------------|--|-----------------|---------------|
| PSL - 1     | HASP WITH 1.0" (25 mm) DIA. JAW AND OVERLAPPING TABS | 6               | 12            |
| PSL - 1.5   | HASP WITH 1.5" (38 mm) DIA. JAW AND OVERLAPPING TABS | 6               | 12            |
| PSL - 1A    | HASP WITH 1.0" (25 mm) DIA. JAW                      | 6               | 12            |
| PSL - 1.5A  | HASP WITH 1.5" (38 mm) DIA. JAW                      | 6               | 12            |



| P/N            | "A"                            | "B" OVERALL                     | "C"                            | "D" DIA.                       |
|----------------|--------------------------------|---------------------------------|--------------------------------|--------------------------------|
| PSL - 1        | .375 +/- .063<br>(9.5 +/- 1.6) | 4.50 +/- .12<br>(114.3 +/- 3.1) | 1.00 +/- .04<br>(25.4 +/- 1.0) | 1.50 +/- .04<br>(38.1 +/- 1.0) |
| PSL - 1.5      |                                | 5.05 +/- .12<br>(128.3 +/- 3.1) | 1.50 +/- .04<br>(38.1 +/- 1.0) | 2.12 +/- .04<br>(53.8 +/- 1.0) |
| PSL - 1A       |                                | 4.40 +/- .12<br>(111.8 +/- 3.1) | 1.00 +/- .04<br>(25.4 +/- 1.0) | 1.50 +/- .04<br>(38.1 +/- 1.0) |
| PSL - 1.5<br>A |                                | 4.95 +/- .12<br>(125.7 +/- 3.1) | 1.50 +/- .04<br>(38.1 +/- 1.0) | 2.12 +/- .04<br>(53.8 +/- 1.0) |

- NOTES:
1. DIMENSIONS SHOWN IN BRACKETS ARE IN MILLIMETERS.
  2. PSL-1A AND PSL1.5A DO NOT HAVE TABS
  3. OPERATING TEMPERATURE: -40°C (-40°F) TO 60°C (140°F)



CAD FILENAME/LAYERS 100318MU\_DC\_C10099/01H

|     |          |      |             |   |      |   |      |     |  |  |  |  |
|-----|----------|------|-------------|---|------|---|------|-----|--|--|--|--|
| 7   | 7/7/11   | JHAC | <i>Attc</i> | ADDED OPERATING TEMPERATURE AND MORE DETAIL TO TITLE CHANGED MATERIAL DESCRIPTION, REMOVED ADDITIONAL DIMENSIONAL INFORMATION AND REMOVED VIEW 1 AND VIEW 2                       | 6451 | R |      |     |  |  |  |  |
| 6   | 7/21/09  | RVU  |             | .375 +/- .062 Ø WAS .375 +/- .125 Ø. C1018 WAS C108. .083/.079 WAS .080/.079. ADD "TABLE 1 & TABLE 2" ONLY. TOL: +/- .04 ( +/- 1.0) WAS +/- .12 ( +/- 3.1) FOR ALL OF COLUMN "F". | 5797 | R |      |     |  |  |  |  |
| 5   | 7/15/09  | RVU  |             | VOID  |      |   |      |     |  |  |  |  |
| 4   | 10/20/08 | RVU  | LDG         | CHANGE FORMAT 'B' TO 'A'. ADDED NEW COLUMNS OF "G" DIA., "H" R., VIEW 2 AND REVISED NOTES 2.  | 5571 | R |      |     |  |  |  |  |
| 3   | 7-27-06  | RVU  | DWY         | ADD TABLE "E" AND "F".  | 4583 | R |      |     |  |  |  |  |
| 2   | 3-29-05  | RVU  | DWY         | ADDED SIDE VIEW, VIEW 1, AND DIMENSIONS "A", "B", "C" AND "D".  | 3840 | R |      |     |  |  |  |  |
| 1   | 3-25-03  | RVU  | DWY         | DIMENSION 1.50 ±.125, 5.00 ±.125, & TOLERANCE ADDED. MISC. REVISIONS.   | 3207 | R |      |     |  |  |  |  |
| R   | 9-23-99  | RVU  | DWY         | DRAWING RELEASE   | 1438 | R |      |     |  |  |  |  |
| REV | DATE     | BY   | CHK         | DESCRIPTION   | ECN  | R | CUST | SUP |  |  |  |  |

**PANDUIT** CORP. TINLEY PARK, ILLINOIS

**SAFETY LOCKOUT HASP - PSL-1(A) AND PSL1.5(A)**

UNLESS OTHERWISE SPECIFIED, DIMENSIONAL TOLERANCES ARE:  
 (.X) ± (.XXX) ±  
 (.XX) ± ANGLES ±

UNLESS OTHERWISE SPECIFIED, ALL DIMENSIONS ARE GIVEN IN INCHES, THIRD ANGLE PROJECTION.

DRAWN BY: RVU

DATE: 9-23-99

CHK'D: *Attc*

MAT'L: ZINC PLATED STEEL WITH RED PVC COATING

SCALE: NTS

DRAWING NO. C10099

DWG SIZE: A