



# Centium T5HO

## CENTIUM ELE BALLAST (2) F54T5/HO 347-480V

No matter what the conditions require, operating at a variety of line voltages between 120V to 480V, whether located in high ambient temperature environments (requiring a 90° C rating) or not, our family of Philips Advance Centium ballasts are ideal for a wide variety of applications.

### Product data

#### • General Characteristics

Lamp Type	F54T5/HO
Number of Lamps	1/2 piece
Input Voltage	347-480 V
Line Frequency	50/60 Hz
Ballast Type	Electronic Fluorescent
Base Model	HCN2S5490CWL
Housing	L
Housing Dimensions	16.7" x 1.18" x 1.0"
Housing Material	Metal
Suitable for Outdoor use?	Yes
Starting Method	Programmed Start
Family Name	Centium

Wire Length by Color	No wires
Wire Type	Solid
Allowed Wiring Config(Remote)	Yes
Allowed Wiring Config(Tandem)	Yes
Allowed Wiring Config(Through)	Yes
Max Dist. Ball to Lamp(Remote)	20'
Max Dist. Ball to Lamp(Tandem)	Blue = 20'
Max Dist. Ball to Lamp(Through)	Blue = 20'

#### • Operating Characteristics

Automatic restart	Yes
Ignition time	1.5 s
Input Power Gear	120-119 W
Ballast factor	1 -
Ballast Efficacy Factor	0.83 -
Power Factor	0.98
Lamp Current Crest Factor	1.7 -
Sound Rating	A
Max THD	10 %

#### • System Chars on driver level

Rated Lamp Watts	54W
------------------	-----

#### • Temperature Characteristics

T-case maximum	90 C
----------------	------

#### • Product Dimensions

Length A1	16.70 in
Length A2	16.34 in
Width B1	1.18 in
Height C1	1.00 in

#### • Wiring Characteristics

Color input terminals	BLK/ORG & BLK/WHT
Color output terminals	RED, YEL & BLU
Connector type	Poke-In
Wire Striplength	0.375 mm
Lamp Connection	Series
Wire Gauge	18AWG

#### • Approval & Application Chars

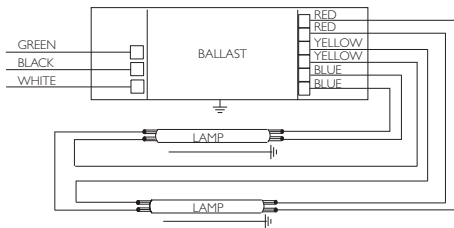
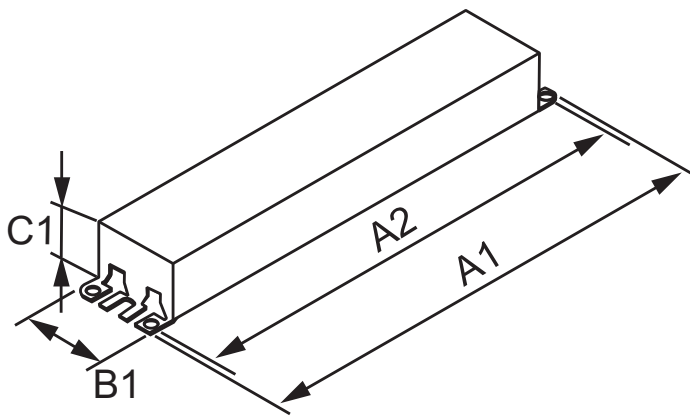
EMC Immunity	FCC Non-Consumer
Approbation Marks	UL, CSA, RoHS
UL Listed	Yes
CSA certificate	Yes

CEC Listing	Yes
CEE Rated	No
Circle E logo	No
CSA E	No
cUL certificate	No
DOE	No
Energy Star	No
FIDE Certificate	No
NEMA Premium	No
NOM certificate	No
RoHS Compliant	Yes
SASO Certificate	No
UL Recognized	No

## • Product Data

Product number	HCN2S5490CWL35M
Full product name	ELE BALLAST (2) F54T5/HO 347-480V
Short product name	ELE BALLAST (2) F54T5/HO 347-480V
Pieces per Sku	1
eop_pck_cfg	10
Skus/Case	10
Bar code on pack	781087030660
Bar code on case	50781087071163
Logistics code(s)	913710845202
eop_net_weight_pp	0.504 kg

## Dimensional drawing



## CENTIUM ELE BALLAST (2) F54T5/HO 347-480V

Product	A1 (Norm)	A2 (Norm)	A3 (Norm)	B1 (Norm)	C1 (Norm)
ELE BALLAST (2) F54T5/HO 347-480V	16.70	16.34	-	1.18	1.00



© 2015 Koninklijke Philips N.V. (Royal Philips)  
All rights reserved.

Specifications are subject to change without notice. Trademarks are the property of Koninklijke Philips N.V. (Royal Philips) or their respective owners.

[www.philips.com/lighting](http://www.philips.com/lighting)

2015, August 29  
data subject to change