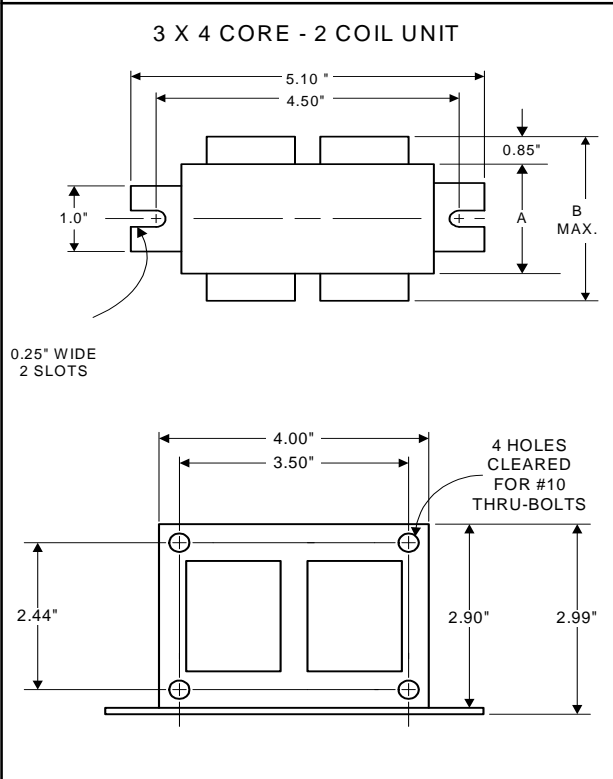


**PHILIPS
ADVANCE**

**Metal
Halide
Lamp Ballast**

**Catalog Number 71A5590
For 175/150W M57/M107
60 Hz CWA
Status: Active**

DIMENSIONS AND DATA



	120	208	240	277
INPUT VOLTS				
CIRCUIT TYPE	CWA			
POWER FACTOR (min)	90%			
REGULATION				
Line Volts	±10%			
Lamp Watts	±10%			
LINE CURRENT (Amps)				
Operating.....	1.80	1.04	0.90	0.80
Open Circuit.....	1.78	1.08	0.93	0.81
Starting.....	1.26	0.70	0.61	0.53
UL TEMPERATURE RATINGS				
Insulation Class	H(180°C)			
Coil Temperature Code	1029			
	C	D	D	D
MIN. AMBIENT STARTING TEMP.	-20°F or -30°C			
NOM. OPEN CIRCUIT VOLTAGE	305			
INPUT VOLTAGE AT LAMP DROPOUT.....	60	104	120	138
INPUT WATTS	210			
RECOMMENDED FUSE (Amps).....	5	3	3	2
CORE and COIL				
Dimension (A)	2.42			
Dimension (B)	3.95			
Weight (lbs.)	7			
Lead Lengths	12"			
CAPACITOR REQUIREMENT				
Microfarads	10.0			
Volts (min.)	400			
Fault Current Withstand (amps)				
60 Hz TEST PROCEDURES (Refer to Advance Test Procedure for HID Ballasts - Form 1270)				
High Potential Test (Volts)				
1 minute	2000			
2 seconds	2500			
Open Circuit Voltage Test (Volts)	275-335			
Short-Circuit Current Test (Amps)				
Secondary Current	1.50-1.90			
Input Current.....	1.06-1.59	0.60-0.90	0.52-0.78	0.45-0.67

Capacitor: 7C100M40-R



Capacitance: 10
Dia/Oval Dim: 1.45
Height: 3.75
Temp Rating: 105°C

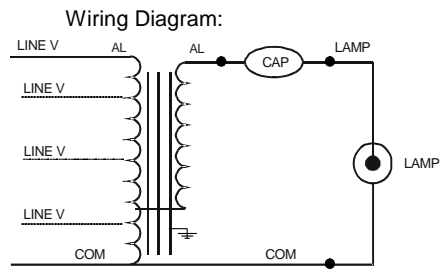


Fig. A6

Ordering Information

Order Suffix	Description

Ignitor: NA

This ballast does not require the use of an ignitor.

Data is based upon tests performed by Philips Lighting Electronic N.A. in a controlled environment and representative of relative performance. Actual performance can vary depending on operating conditions. Specifications are subject to change without notice.