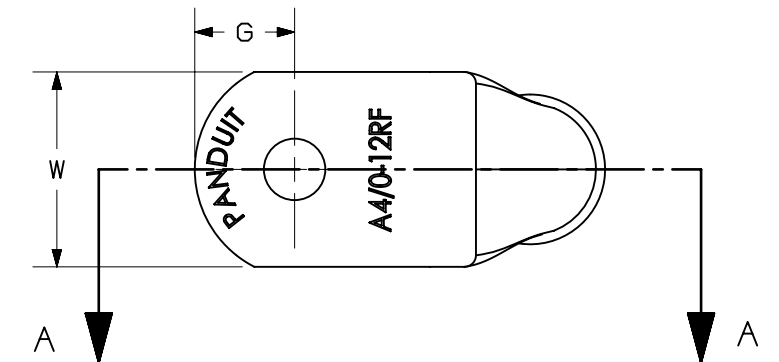
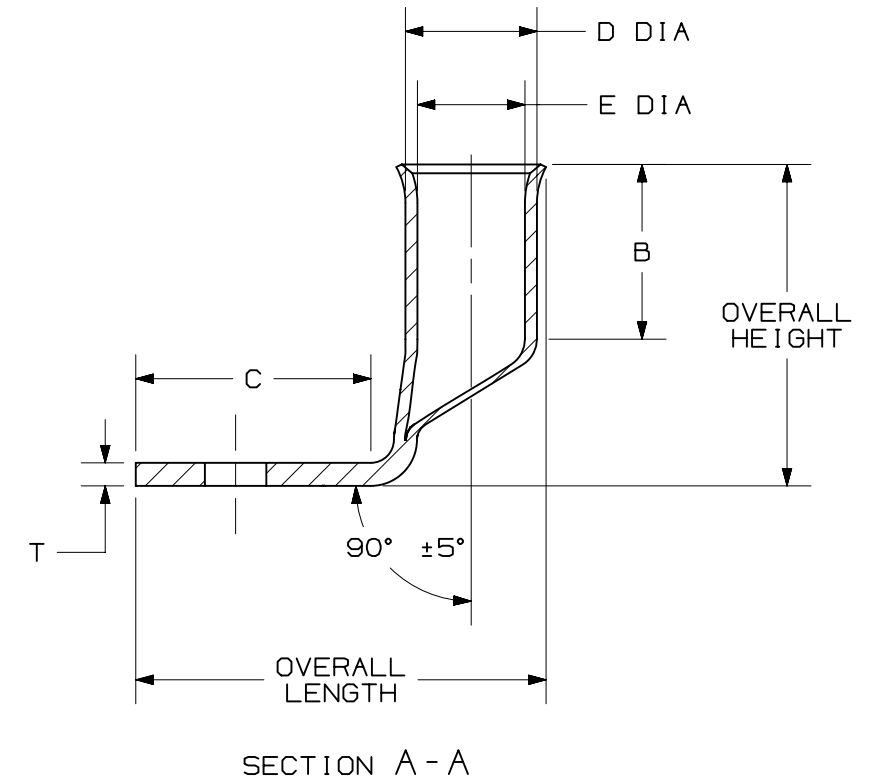


PART NUMBER	WIRE	WIRE STRIP LENGTH	STUD HOLE	OVERALL HEIGHT REF	OVERALL LENGTH REF	B ±0.2	D ±.02	E ±.02	G ±0.2	C ±0.2	T ±0.1	W ±0.1
A2-56RF-C	2	3/4	5/16	1.26	1.41	0.74	0.42	0.31	0.36	0.80	0.10	0.66
A2-38RF-C	2	3/4	3/8	1.26	1.44	0.74	0.42	0.31	0.36	0.83	0.10	0.66
A1/0-38RF-C	1/0	13/16	3/8	1.40	1.57	0.80	0.52	0.39	0.37	0.84	0.12	0.76
A2/0-12RF-C	2/0	15/16	1/2	1.58	1.92	0.88	0.58	0.45	0.51	1.10	0.13	0.85
A4/0-56RF-C	4/0	15/16	5/16	1.65	2.01	0.91	0.69	0.56	0.52	1.14	0.12	1.02
A4/0-38RF-C	4/0	15/16	3/8	1.65	2.01	0.91	0.69	0.56	0.52	1.14	0.12	1.02
A4/0-12RF-C	4/0	15/16	1/2	1.65	2.01	0.91	0.69	0.56	0.52	1.14	0.12	1.02

- NOTES:  
 1. MATERIAL: HIGH CONDUCTIVITY SEAMLESS COPPER TUBE  
 2. PLATING: ELECTRO-TIN  
 3. WIRE TYPE: STRANDED COPPER; CLASS K



REV	DATE	BY	CHK	APR	DESCRIPTION	ECN
01C	5-30-24	JHNU	JHNU	MRWA	E. SWITCHED OVERALL LENGTH & OVERALL HEIGHT DIMENSIONS D. REVISED TOLERANCES	004226
01B	6-20-23	JHNU	JHNU	MRWA	C. ADDED PACKAGING CODE TO PART NUMBERS	131601
01A	4-27-23	JHNU	JHNU	MRWA	B. ADDED cULus LOGO A. CONVERTED DRAWING TO NX	130501

PART NUMBER		SEE TABLE	
TITLE		BATTERY CABLE LUG BENT 90	
CUSTOMER DRAWING			
ITEM REVISION NAME	00374EBB/01		
DATASET FILE NAME	00374EBB-DC/01C		
MATERIAL	SEE NOTES	DRAWING NUMBER	00374EBB-DC
DRAWN BY	DATE	CHK	SCALE
RUMO	10-8-18	RGB	NONE
SHEET 1 OF 1			SIZE B

B

B

A

A