



Roxtec ComSeal™

The Roxtec ComSeal is a light-weight and area efficient cable sealing solution for cabinets. The frames are available in cast aluminum and cast acid-proof stainless steel, AISI 316, and used with adaptable sealing modules. The product is supplied as ready-made kits which include all necessary components.

- Available in six different sizes
- Attached on inside or outside of cabinet



ComSeal™ kits, integrated compression unit, aluminum



ComSeal 10

ComSeal 12

ComSeal 15

ComSeal 16

ComSeal 30

ComSeal 32

RATINGS IP: 55 UL/NEMA: 3, 12, 12K

Kit	Diameter range and number of cables/pipes			Weight		Art. No
	(kg)	(lb)				
	0+3.5-16.5 mm 0+0.138-0.650" (CM 20W40)	0+9.5-32.5 mm 0+0.374-1.280" (CM 40 10-32)	0+28-43 mm 0+1.102-1.693" (CM 50)			
ComSeal 10/4	2	2		0.515	1.13	105299
ComSeal 10/7	6	1		0.515	1.13	105301
ComSeal 10/10	10			0.515	1.13	105302
ComSeal 12/3		3		0.61	1.34	105303
ComSeal 12/6	4	2		0.61	1.34	105305
ComSeal 12/9	8	1		0.61	1.34	105306
ComSeal 12/12	12			0.61	1.34	105307
ComSeal 15/3			3	0.91	2.0	105308
ComSeal 16/4		4		0.666	1.47	105310
ComSeal 16/7	4	3		0.666	1.47	105312

ComSeal™ kits, integrated compression unit, aluminum

Kit	Diameter range and number of cables/pipes			Weight		Art. No
	(kg)	(lb)				
	0+3.5-16.5 mm 0+0.138-0.650" (CM 20W40)	0+9.5-32.5 mm 0+0.374-1.280" (CM 40 10-32)	0+28-43 mm 0+1.102-1.693" (CM 50)			
ComSeal 16/10	8	2		0.666	1.47	105313
ComSeal 16/16	16			0.666	1.47	105314
ComSeal 30/6			6	1.40	3.09	105315
ComSeal 32/8		8		1.259	2.78	105316
ComSeal 32/14	8	6		1.259	2.78	105320
ComSeal 32/20	16	4		1.259	2.78	105321
ComSeal 32/32	32			1.259	2.78	105322

Modules and frames can be ordered separately.

ComSeal™ kits, integrated compression unit, acid-proof stainless steel



ComSeal 10 AISI 316

ComSeal 16 AISI 316

ComSeal 32 AISI 316

RATINGS IP: 55 UL/NEMA: 3, 12, 12K

Kit	Diameter range and number of cables/pipes		Weight		Art. No
	(kg)	(lb)			
	0+3.5-16.5 mm 0+0.138-0.650" (CM 20W40)	0+9.5-32.5 mm 0+0.374-1.280" (CM 40 10-32)			
ComSeal 10/4 AISI 316	2	2	1.096	2.42	105676
ComSeal 10/7 AISI 316	6	1	1.096	2.42	105677
ComSeal 10/10 AISI 316	10		1.096	2.42	105678
ComSeal 16/4 AISI 316		4	1.407	3.11	105679
ComSeal 16/7 AISI 316	4	3	1.407	3.11	105680
ComSeal 16/10 AISI 316	8	2	1.407	3.11	105681
ComSeal 16/16 AISI 316	16		1.407	3.11	105682
ComSeal 32/8 AISI 316		8	2.395	5.28	105683
ComSeal 32/14 AISI 316	8	6	2.395	5.28	105684
ComSeal 32/20 AISI 316	16	4	2.395	5.28	105685
ComSeal 32/32 AISI 316		32	2.395	5.28	105686

Modules and frames can be ordered separately.



Roxtec C ComShelt™

The Roxtec C ComShelt is a sealing solution for cables and pipes of different sizes. The light-weight composite frame with integrated compression unit is designed for use in telecom shelters and cabinets. The product is supplied as ready-made kits which include all necessary components. It is available with an additional cover plate for closing a part of the opening until further installation is required.

- Attached by bolting or riveting

C ComShelt™ kits, integrated compression unit, composite PA 6.6 33% GF



C ComShelt



C ComShelt with cover plate



C ComShelt expansion module kit

RATINGS IP: 55

Kit	Diameter range and number of cables/pipes		Weight		Art. No
	0+3.5-16.5 mm (CM 20w40)	0+9.5-32.5 mm (CM 40 10-32)	(kg)	(lb)	
C ComShelt/18	6	12	2.1	4.63	102716
C ComShelt/12 with cover plate	6	6	2.1	4.63	104660
C ComShelt expansion module kit		6	0.5	1.10	109078

Modules and frames can be ordered separately.



Roxel EzEntry™

The Roxel EzEntry simplifies cable sealing in cabinets and enclosures. The single-side seal consists of a composite frame and adaptable modules. The product is supplied as ready-made kits which include all necessary components.

- Available in sizes from 4 to 32 cables
- Integrated compression unit
- Allows pre-terminated cables
- Versions available for the FL 21 knock-out and multipin 24 connector knock-out
- Available with stainless steel fasteners upon request to meet requirements in aggressive corrosive environments



EzEntry™ kit, integrated compression unit, PA 66 25% GF



RATINGS EzEntry 4 mini: IP 55, UL/NEMA 12, 13 EzEntry 4, 10, 16, 24, 32: IP 66/67, UL/NEMA 4, 4x, 12, 13

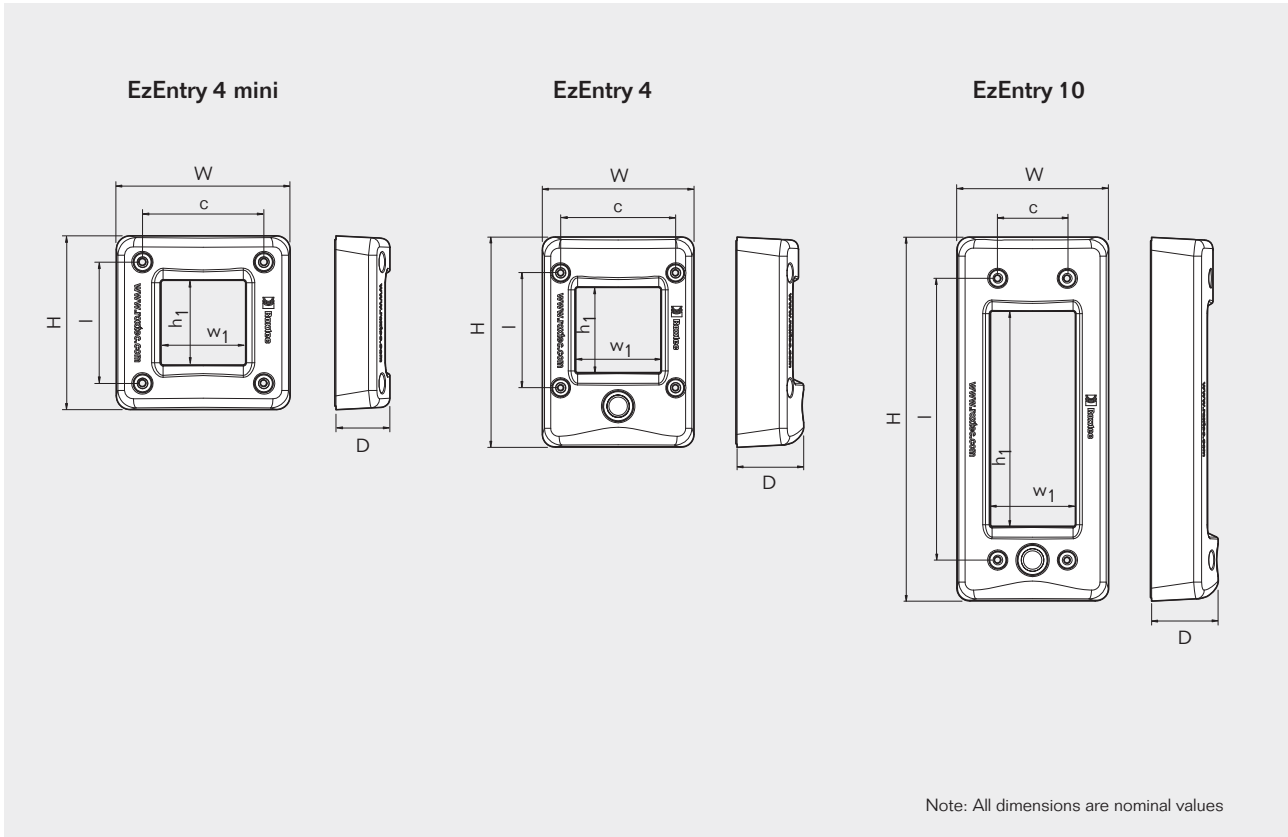
Kit	Diameter range and number of cables/pipes						Weight		Art. No
	0+3.5-10.5 mm 0+0.138-0.413" (GM 13.3w40)	0+3.5-16.5 mm 0+0.138-0.650" (GM 20w40)	0+3.5-16.5 mm 0+0.138-0.650" (EM 20w40)	0+9.5-32.5 mm 0+0.374-1.280" (EM 40 10-32)	0+3.5-16.5 mm 0+0.138-0.650" (CM 20w40)	0+9.5-32.5 mm 0+0.374-1.280" (CM 40 10-32)	(kg)	(lb)	
EzEntry 4 mini/4		4					0.10	0.22	EZ00000000440
EzEntry 4 mini/9	9						0.10	0.22	EZ00000000490
EzEntry 4/4			4				0.13	0.29	EZ00000000044
EzEntry 10/4			2	2			0.30	0.65	EZ00000001004
EzEntry 10/7			6	1			0.30	0.65	EZ00000001007
EzEntry 10/10			10				0.30	0.65	EZ00000001010

EzEntry™ kit, integrated compression unit, PA 66 25% GF

Kit	Diameter range and number of cables/pipes						Weight		Art. No
	0+3.5-10.5 mm 0+0.138-0.413" (GM 13.3w40)	0+3.5-16.5 mm 0+0.138-0.650" (GM 20w40)	0+3.5-16.5 mm 0+0.138-0.650" (EM 20w40)	0+9.5-32.5 mm 0+0.374-1.280" (EM 40 10-32)	0+3.5-16.5 mm 0+0.138-0.650" (CM 20w40)	0+9.5-32.5 mm 0+0.374-1.280" (CM 40 10-32)	(kg)	(lb)	
EzEntry 16/4				4			0.39	0.86	EZ00000001604
EzEntry 16/10			8	2			0.39	0.86	EZ00000001610
EzEntry 16/16			16				0.39	0.86	EZ00000001616
EzEntry 24/6						6	0.80	1.77	EZ00000002406
EzEntry 24/15					12	3	0.80	1.77	EZ00000002415
EzEntry 24/24					24		0.80	1.77	EZ00000002424
EzEntry 32/8						8	1.03	2.27	EZ00000003208
EzEntry 32/20					16	4	1.03	2.27	EZ00000003220
EzEntry 32/32					32		1.03	2.27	EZ00000003232

Modules and frames can be ordered separately.

EzEntry™, technical information





Roxtec CF 24 frame

The Roxtec CF 24 is a bolted together frame made from aluminum. Compression is integrated in the frame. The frame is easily installed around existing cables. The product is supplied as ready-made kits which include all necessary components.

- Attachment by bolting
- Openable to simplify retrofit



CF 24 kit, anodized aluminum



CF 24/8



CF 24/12



CF 24/28

RATINGS IP: 66/67 UL/NEMA: 4, 4X, 12, 13

Kit	Number of cables/pipes	Diameter range and number of cables/pipes				Weight		Art. No
		0+3.5-10.5 mm 0+0.138-0.413" (CM 15w40)	0+3.5-16.5 mm 0+0.138-0.650" (CM 20W40)	0+10.0-25.0 mm 0+0.394-0.984" (CM 30w40)	0+9.5-32.5 mm 0+0.374-1.280" (CM 40 10-32)	(kg)	(lb)	
CF 24/8	8			8		1.5	3.307	CF00000240035
CF 24/12	12		8		4	1.5	3.307	CF00000241235
CF 24/28	28	12	16			1.5	3.307	CF00000242835

Modules and frames can be ordered separately.



Roxtec CF 8/ CF 32 frames

The Roxtec CF 8 and CF 32 entry seals are made from cast aluminum. The compression unit is integrated in the frame. The product is supplied as ready-made kits which include all necessary components.

■ Attachment by bolting



CF 8/CF 32 kits, integrated compression unit, aluminum



CF 8/5



CF 8/8



CF 8/9



CF 32/20



CF 32/32



CF 32/41

RATINGS IP: 66/67 UL/NEMA: 4, 4X, 12, 13

Kit	Diameter range and number of cables/pipes				External dimensions HxW		Weight		Art. No
	(mm)	(in)	(mm)	(in)	(mm)	(in)	(kg)	(lb)	
CF 8/5	0+3.5-10.5 mm 0+0.138-0.413" (CM 15W40)	4			140 x 75	5.512 x 2.952	0.7	1.543	CKT8000000005
CF 8/8		8			140 x 75	5.512 x 2.952	0.7	1.543	CKT8000000008
CF 8/9	6	2	1		140 x 75	5.512 x 2.952	0.7	1.543	CKT0000000009
CF 32/20		16		4	230 x 130	9.055 x 5.118	2.0	4.409	CKT3200000020
CF 32/32		32			230 x 130	9.055 x 5.118	2.0	4.409	CKT3200000032
CF 32/41	24	16		1	230 x 130	9.055 x 5.118	2.0	4.409	CKT3200000041

Modules and frames can be ordered separately.



Roxtec CF 16 frame

The Roxtec CF 16 is a low-profile metal frame. Compression is integrated in the frame. Adapter plates are available for standardized openings in cabinets. The product is supplied as ready-made kits which include all necessary components.

- Attachment by bolting
- Available in openable version for easy retrofit and installation around existing cables and pipes



CF 16 kit, powder coated mild steel



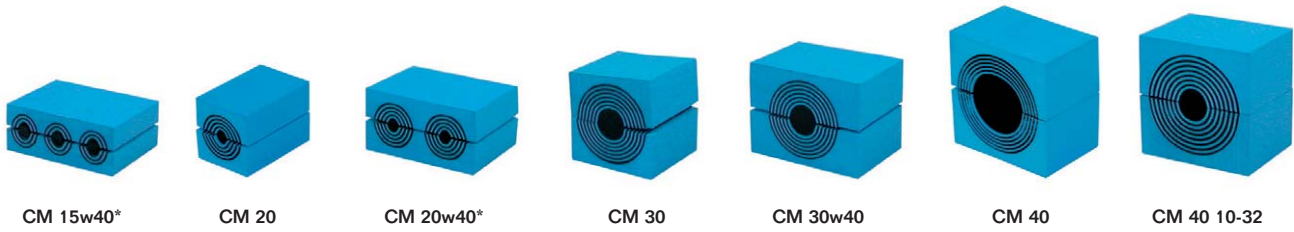
Also available in stainless steel

RATINGS IP: 66/67 UL/NEMA: 4, 4X, 12, 13

Kit	Number of cables/pipes	Diameter range and number of cables/pipes			External dimensions HxW		Weight		Art. No
		0+3.5-10.5 mm 0+0.138-0.413" (CM 15W40)	0+3.5-16.5 mm 0+0.138-0.650" (CM 20w40)	0+9.5-32.5 mm 0+0.374-1.280" (CM 40 10-32)	(mm)	(in)	(kg)	(lb)	
CF 16/4	4			4	234 x 93	9.213 x 3.661	1.7	3.748	CKT0008020004
CF 16/10	10		8	2	234 x 93	9.213 x 3.661	1.7	3.748	CKT0008020010
CF 16/16	16		16		234 x 93	9.213 x 3.661	1.7	3.748	CKT0008020016
CF 16/19	19	12	6	1	234 x 93	9.213 x 3.661	1.7	3.748	CKT0008020119

Modules and frames can be ordered separately.

Roxtec CM modules



* Whenever possible we recommend choosing twin or triplet modules like CM20w40 or CM15w40. Benefits are higher area efficiency per frame opening, quicker installation and improved cost-effectiveness.

Module	Number of cables/pipes	For cable/pipe Ø		External dimensions HxW (mm) (D=30 mm)	Weight (max)		Art. No
		(mm)	(in)		(kg)	(lb)	
CM 15w40*	3	0+ 3.5-10.5	0+ 0.138-0.413	15 x 40	0.03	0.055	C000115401000
CM 20	1	0+ 4.0-14.5	0+ 0.157-0.571	20 x 20	0.02	0.044	C000100201000
CM 20w40*	2	0+ 3.5-16.5	0+ 0.138-0.650	20 x 40	0.04	0.077	C000120401000
CM 30	1	0+ 10.0-25.0	0+ 0.394-0.984	30 x 30	0.04	0.088	C000100301000
CM 30w40	1	0+ 10.0-25.0	0+ 0.394-0.984	30 x 40	0.06	0.121	C000130401000
CM 40	1	0+ 21.5-34.5	0+ 0.846-1.358	40 x 40	0.07	0.135	5CM0000008983
CM 40 10-32	1	0+ 9.5-32.5	0+ 0.374-1.280	40 x 40	0.07	0.135	C000140101000

C Wedge kit/parts, galvanized



C Wedge kit galv

The wedge kit includes one Roxtec Wedge 120, five stayplates, one lubricant and installation instructions.

Wedge	External dimensions W		Weight		Art. No
	(mm)	(in)	(kg)	(lb)	
C Wedge kit galv	120	4.724	0.65	1.443	AWK2001201018