

3SU14 modules

8.1 Overview

8.1.1 Contact modules

Contact modules are used to switch circuits. The mechanical motion of the actuator is converted to electrical signals in interaction with the contact module when contacts are opened or closed.

The following variants of contact module are available:

- Spring-loaded terminals
- Screw terminals
- Front plate mounting
- Base mounting (enclosure mounting)
- 1-pole
- 2-pole
- Different functions (NC contact, NO contact and combinations thereof)

The color coding of the switching variants depends on the colors of the ID keys:

- 1NO → Green
- 1NC → Red
- 2NC → Red
- 2NO → Green
- 1NO1NC → Gray
- 1NC1MC → yellow

8.1.2 Terminal designations

The terminal designations of the contact modules comply with EN 50013.

The terminal designations are 2-digit, e.g. 13, 14; 21, 22:

Units digit = function digit (specify on the contact module)

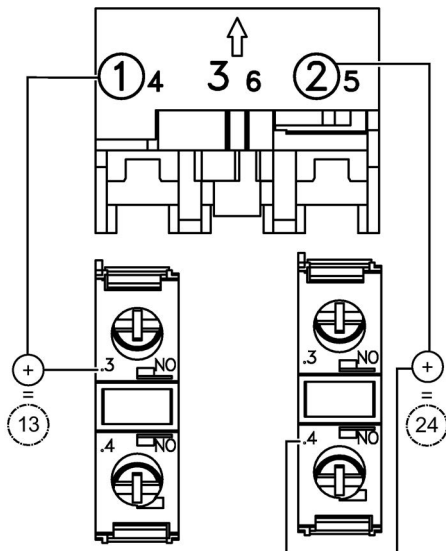
- 1-2 for normally closed contacts (NC)
- 3-4 for normally open contacts (NO)

Tens digit = Identification number (specify on the holder)

- Related terminals have the same sequence digits.

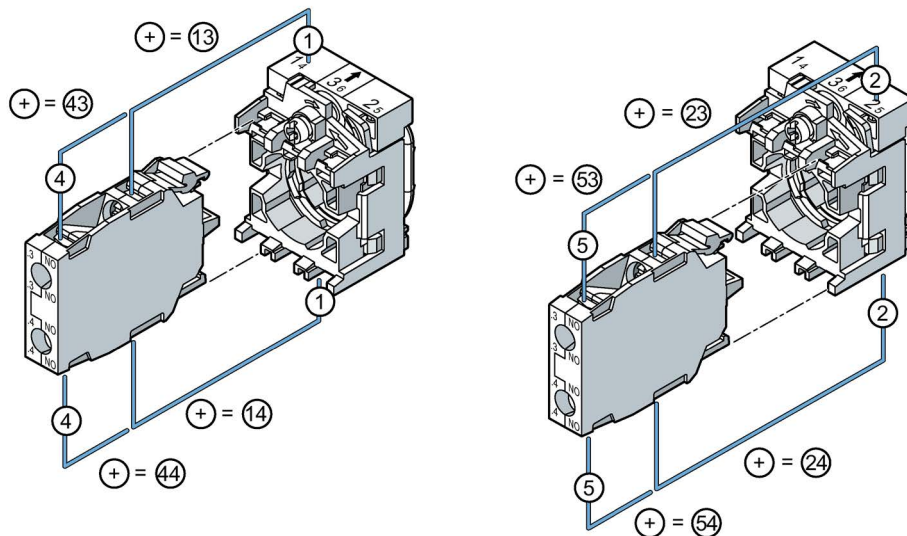
Terminal designation examples

Terminal designation for 1-pole contact module



Left-hand module	Right-hand module
<ul style="list-style-type: none"> • Sequence digit on holder = 1 • Function digit on module = .3 ⇒ Terminal designation = 13	<ul style="list-style-type: none"> • Sequence digit on holder = 2 • Function digit on module = .4 ⇒ Terminal designation = 24

Terminal designation for 2-pole contact module



Left-hand module	Right-hand module
Front contacts: Sequence digit on holder = 1 Function digit on module = .3 ⇒ Terminal designation = 13	Front contacts: <ul style="list-style-type: none"> • Sequence digit on holder = 2 • Function digit on module = .4 ⇒ Terminal designation = 24
Rear contacts: <ul style="list-style-type: none"> • Sequence digit on holder = 4 • Function digit on module = .3 ⇒ Terminal designation = 43	Rear contacts: <ul style="list-style-type: none"> • Sequence digit on holder = 5 • Function digit on module = .3 ⇒ Terminal designation = 53

8.1.3 Contact modules for front plate mounting

Contact modules for front plate mounting are installed on the rear face of a holder.

Contact modules with gold contacts have better protection against corrosion (e.g. in sulfurous environments) and therefore a high contact reliability at low currents and low operating frequencies.

For further information refer to Chapters "Holders (Page 221)" and "Mounting (Page 205)".

Number of NO contacts	Number of NC contacts	Product function positive opening	Suitable for enclosure mounting	Article No.
Contact modules with silver contacts				
Siemens Industry Mall (http://mall.industry.siemens.com/mall/en/WW/Catalog/Products/10221526)				
1	0	No	Yes	3SU1400-1AA10-xBA0
0	1	Yes	Yes	3SU1400-1AA10-xCA0
2	0	No	Yes, with accessory 3SU1900-0JF10-0AA0	3SU1400-1AA10-xDA0
0	2	Yes	Yes, with accessory 3SU1900-0JF10-0AA0	3SU1400-1AA10-xEA0
1	1	Yes	Yes, with accessory 3SU1900-0JF10-0AA0	3SU1400-1AA10-xFA0
1 leading	1 lagging	No	Yes, with accessory 3SU1900-0JF10-0AA0	3SU1400-1AA10-xGA0
0	2 (1 contact for installation monitoring)	Yes	Yes, with accessory 3SU1900-0JF10-0AA0	3SU1400-1AA10-xHA0 ¹⁾
Contact modules with gold contacts				
1	0	No	Yes	3SU1400-1AA10-xLA0
0	1	Yes	Yes	3SU1400-1AA10-xMA0
2	0	No	Yes, with accessory 3SU1900-0JF10-0AA0	3SU1400-1AA10-xNA0
0	2	Yes	Yes, with accessory 3SU1900-0JF10-0AA0	3SU1400-1AA10-xPA0
1	1	Yes	Yes, with accessory 3SU1900-0JF10-0AA0	3SU1400-1AA10-xQA0
1 leading	1 lagging	No	Yes, with accessory 3SU1900-0JF10-0AA0	3SU1400-1AA10-xRA0

x: 1 = screw terminals; 3 = spring-type terminals

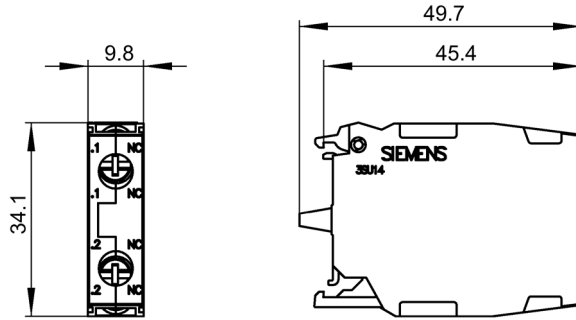
¹⁾ The 3SU1400-1AA10-.HA0 contact modules with installation monitoring can only be mounted at positions 1 and 2 on the holder when combined with 3SU1 actuating and signaling elements.

Exception: They can be mounted at all 3 holder positions when they are combined with a non-illuminated EMERGENCY STOP.

Contact module 2NC, screw terminals

Article No.: 3SU1400-1AA10-1EA0

3SU1400-1AA10-1(H.P)A0



Contact module 2NC, screw terminals

Article No.: 3SU1400-1AA10-3EA0

3SU1400-1AA10-3PA0

