

operating unit w. Bowden cable Max Flex operator complete kit comprising: handle steel, epoxy sheathed NEMA 1/3R/12; Bowden cable length 0.9m (36"); switching mechanism accessory for: 3VA5 125



Model	
Product brand name	SETRON
Product designation	Accessories
Product version	Bowden wire actuator
General technical data	
Degree of protection NEMA rating	NEMA 1, 3R, 12
Mechanical Design	
Net weight	2 449 g
Certificates	

General Product Approval	EMC	Declaration of Conformity
--------------------------	-----	---------------------------



[Miscellaneous](#)



Shipping Approval	other
-------------------	-------



LRS

[Manufacturer Declaration](#)

[Miscellaneous](#)

## Further information

### Information- and Downloadcenter (Catalogs, Brochures,...)

<http://www.siemens.com/lowvoltage/catalogs>

### Industry Mall (Online ordering system)

<https://mall.industry.siemens.com/mall/en/en/Catalog/product?mlfb=3VA9138-0CK12>

### Service&Support (Manuals, Certificates, Characteristics, FAQs,...)

<https://support.industry.siemens.com/cs/ww/en/ps/3VA9138-0CK12>

### Image database (product images, 2D dimension drawings, 3D models, device circuit diagrams, ...)

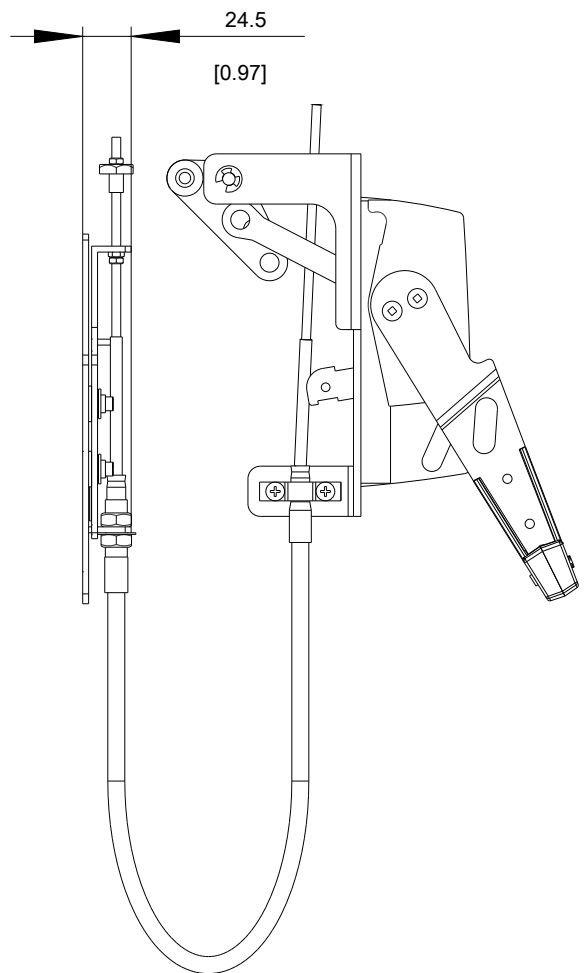
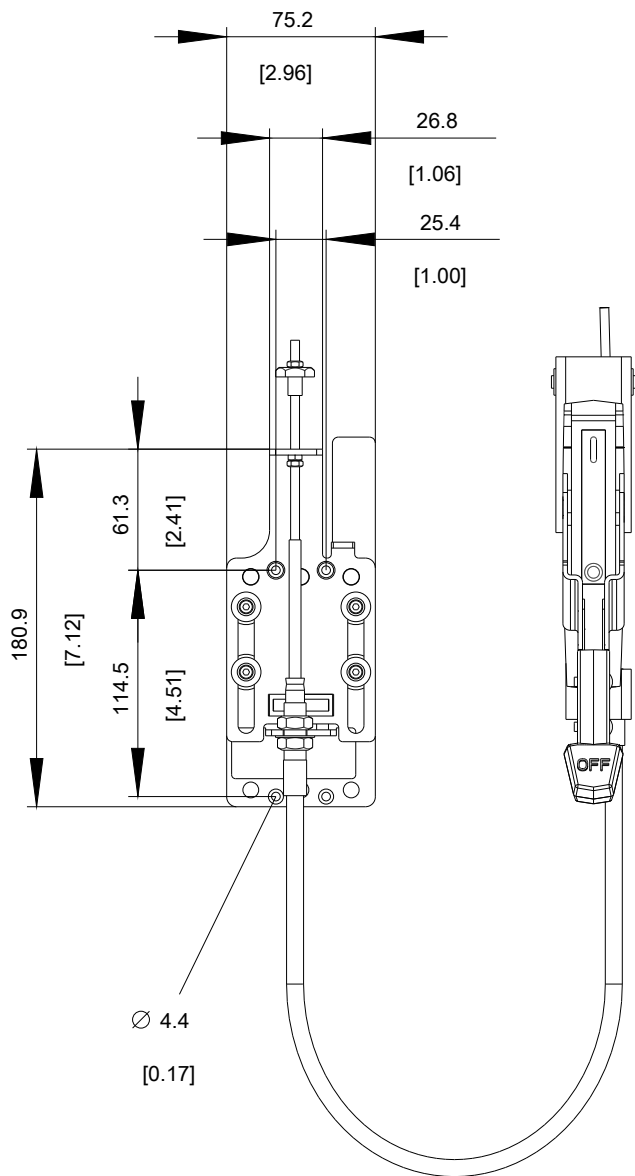
[http://www.automation.siemens.com/bilddb/cax\\_en.aspx?mlfb=3VA9138-0CK12](http://www.automation.siemens.com/bilddb/cax_en.aspx?mlfb=3VA9138-0CK12)

### CAX-Online-Generator

<http://www.siemens.com/cax>

### Tender specifications

<http://www.siemens.com/specifications>



**last modified:**

11/19/2019