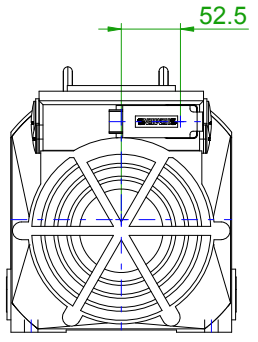


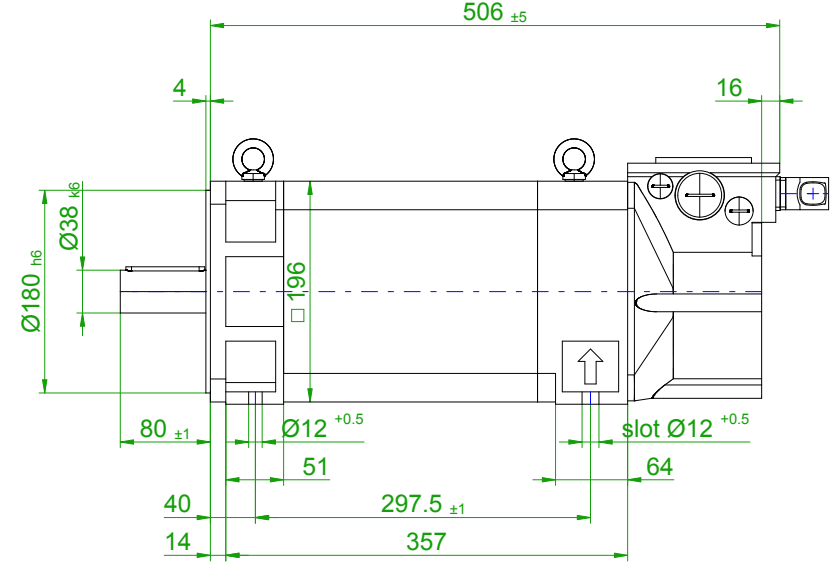
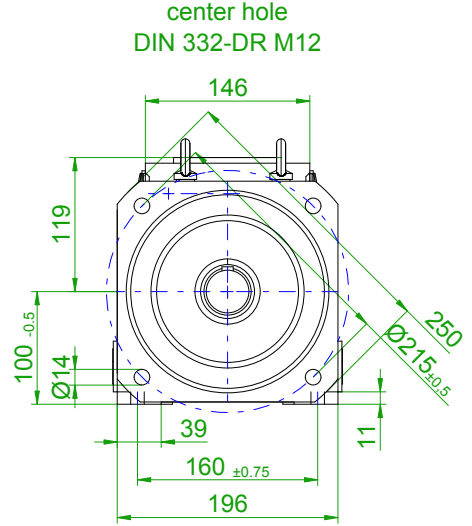
1 2 3 4 5 6 7 8

A
B
C
D
E
F

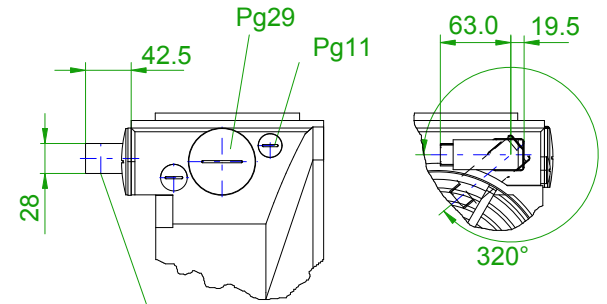
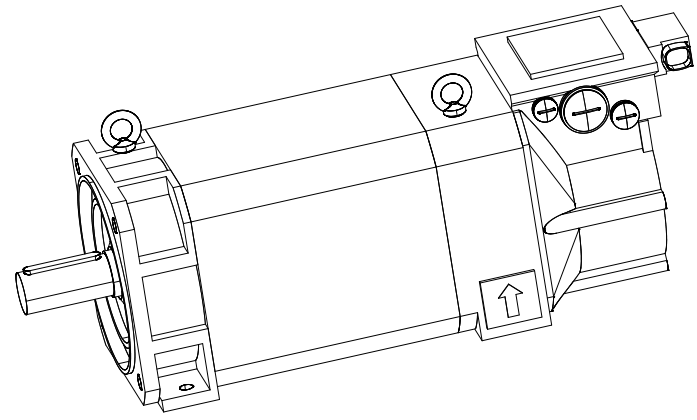
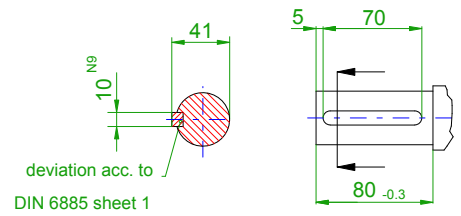
back view



front view



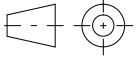
version with featherkey



DRIVE-CLiQ interface

flange and shaft acc. to DIN 42955-R
 flange size FF215 acc. to DIN EN 50347

 type of construction IM B35

| | | | |
|---|--|---|--------------------|
|  | | SIEMENS | |
| Einheit / unit: mm | | Asynchron-Servomotor Asynchronous Servo Motor: | 1PH7105-2FF33-0BA3 |
| nicht tolerierte Maße / not toleranced dimensions: | | Optionen / options: | |
| ±1 | | Gewicht / mass: | 63.9 kg |
| Maßstab / scale: ohne / without | | Bemerkung / notice: | |
| CAD CREATOR 2.2 (WWW-Version V02.20.00.00) | | Druckdatum / print date: 23.05.2019 | |

1 2 3 4 5 6 7 8