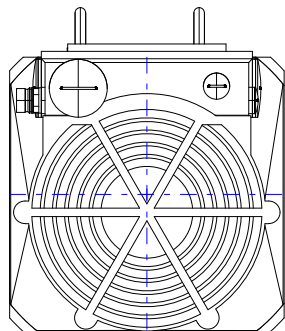
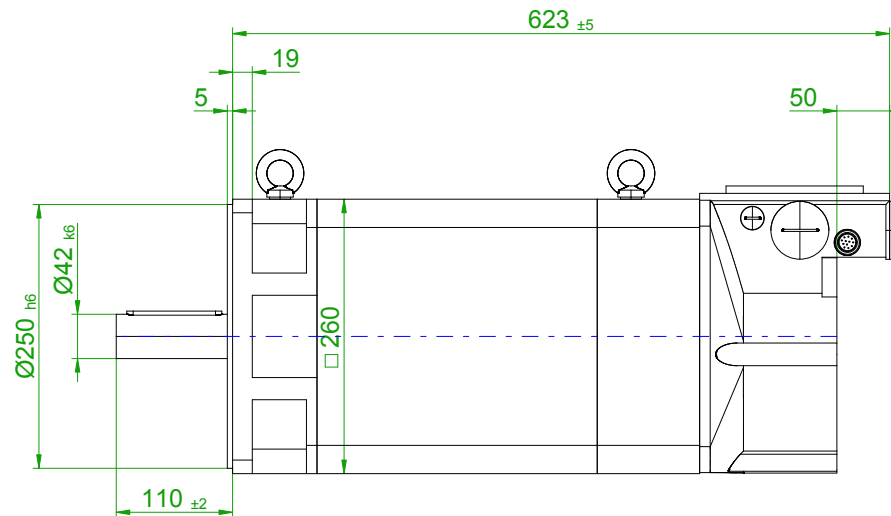
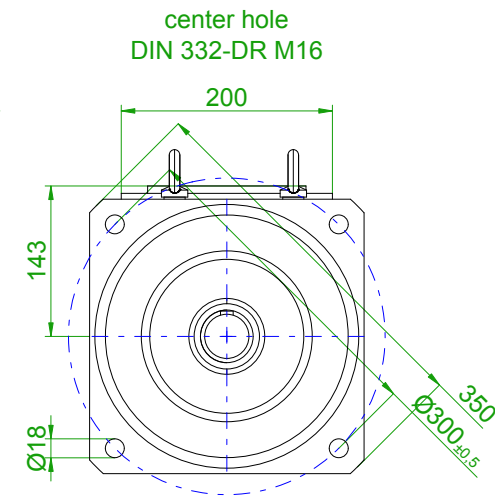


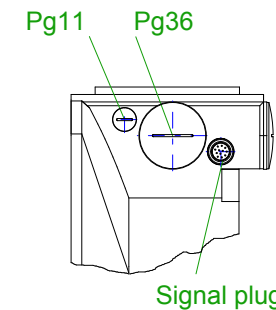
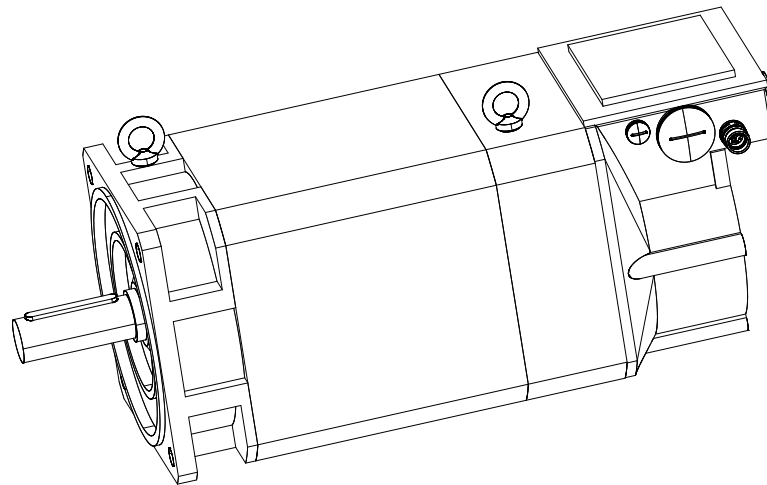
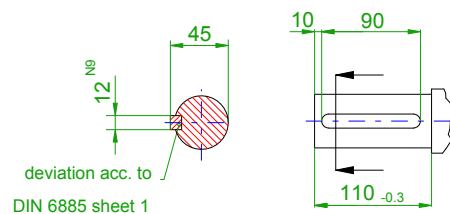
back view



front view

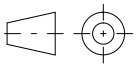


version with featherkey



flange and shaft acc. to DIN 42955-R
flange size A350 acc. to DIN 42948

type of construction IM B5

| | | | |
|---|---|--------------------------|------------|
|  | | SIEMENS | |
| Einheit / unit: mm | Asynchron-Servomotor Asynchronous Servo Motor: | 1PH7137-2NG02-0DC2 | |
| nicht tolerierte Maße / not toleranced dimensions: | ±1 | Optionen / options: | |
| Maßstab / scale: ohne / without | Bemerkung / notice: | Gewicht / mass: | 126.5 kg |
| CAD CREATOR 2.2 (WWW-Version V02.20.00.00) | | Druckdatum / print date: | 20.06.2017 |