



cable-operated switch with emergency stop metal enclosure IP67, yellow cover, 3 xM20 x1.5; slow-action contacts 1 NO+3 NC; latching according to EN ISO 13850, with rotate-to-unlatch mechanism, for cable lengths up to 75 m

General technical data	
product function EMERGENCY STOP function	Yes
product component light source	No
insulation voltage rated value	250 V
<b>degree of pollution</b>	class 3
<b>surge voltage resistance rated value</b>	2.5 kV
<b>protection class IP</b>	IP67
mechanical service life (switching cycles) typical	100 000
<b>thermal current</b>	2 A
<b>reference code according to IEC 81346-2</b>	S
<b>continuous current of the DIAZED fuse link gG</b>	2 A
<b>Substance Prohibittance (Date)</b>	07/01/2006
<b>number of NC contacts for auxiliary contacts</b>	3
<b>number of NO contacts for auxiliary contacts</b>	1
<b>operational current at AC-15</b>	
• at 240 V rated value	6 A
<b>operational current at DC-13</b>	
• at 24 V rated value	2 A
• at 250 V rated value	0.25 A
Enclosure	
<b>material of the enclosure</b>	metal
<b>material of the enclosure cover</b>	Plastic
product component EMERGENCY STOP device	Yes
<b>color</b>	
• of the enclosure	black
• of the enclosure top part	yellow
<b>coating of the enclosure</b>	painted
<b>circuit principle</b>	Slow-action function
<b>material of the contact</b>	Silver
number of switching contacts safety-related	3
Connections/ Terminals	
<b>type of electrical connection</b>	screw-type terminals
<b>type of connectable conductor cross-sections</b>	
• solid	2x (0.5 ... 2.5 mm <sup>2</sup> )
• finely stranded with core end processing	2x (0.5 ... 2.5 mm <sup>2</sup> )
• at AWG cables solid	2x (20 ... 14)
• at AWG cables stranded	2x (20 ... 14)
Safety related data	
B10 value with high demand rate according to SN 31920	100 000

proportion of dangerous failures with high demand rate according to SN 31920	50 %
<b>cable entry type</b>	3x M20 x 1,5
<b>Ambient conditions</b>	
ambient temperature during operation	-25 ... +70 °C
<b>Display</b>	
<b>product function status display</b>	Yes
<b>Installation/ mounting/ dimensions</b>	
<b>fastening method</b>	screw fixing
<b>height</b>	201 mm
<b>width</b>	67 mm
<b>depth</b>	83 mm
<b>Certificates/ approvals</b>	
General Product Approval	



[Confirmation](#)



<b>Marine / Shipping</b>	<b>other</b>
--------------------------	--------------



[Confirmation](#)

<b>Further information</b>
----------------------------

Information- and Downloadcenter (Catalogs, Brochures,...)

<https://www.siemens.com/ic10>

Industry Mall (Online ordering system)

<https://mall.industry.siemens.com/mall/en/en/Catalog/product?mfb=3SE7141-1EG10-0CA1>

Cax online generator

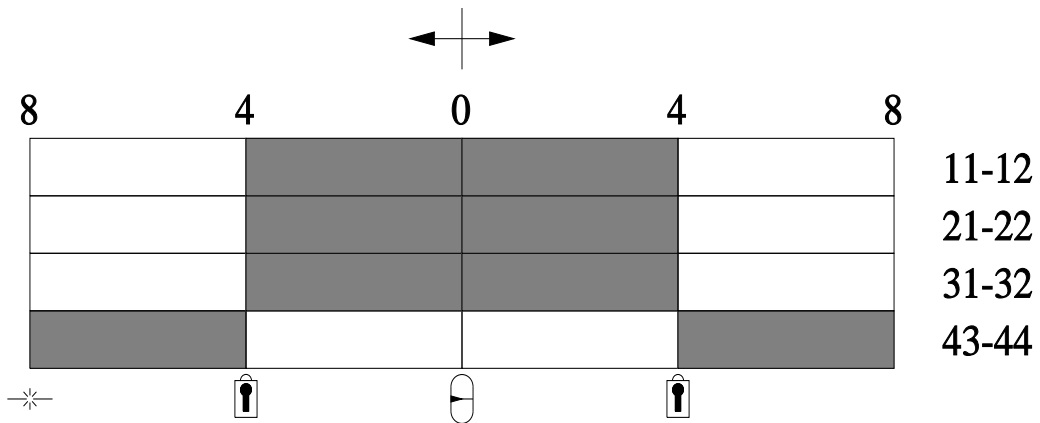
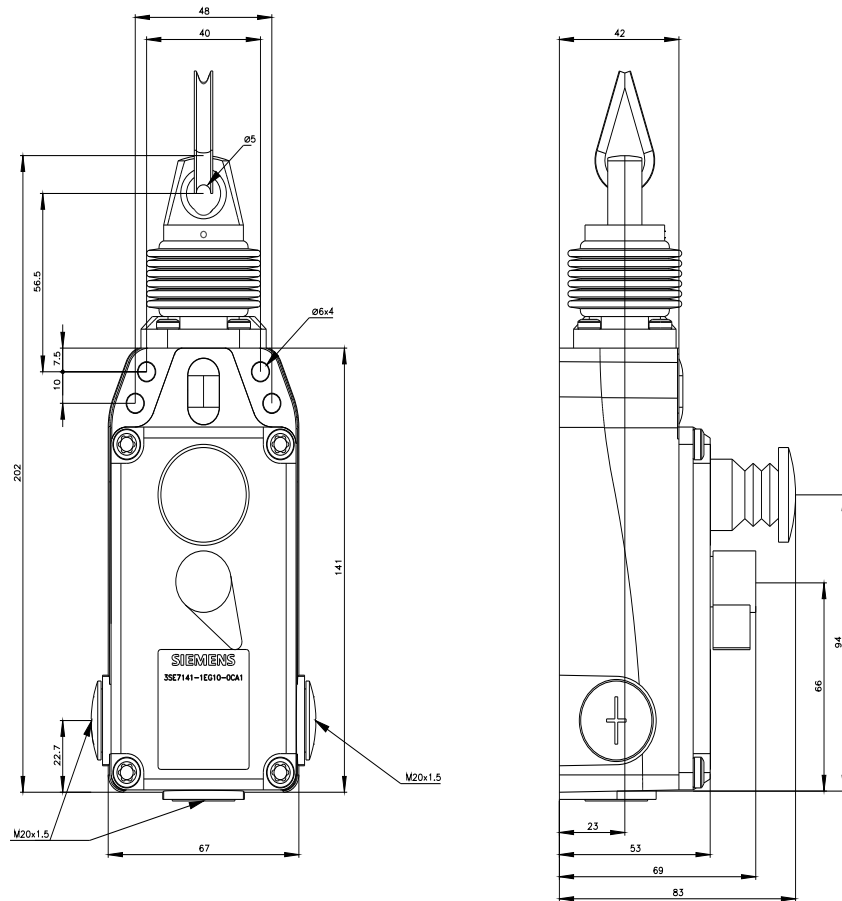
<http://support.automation.siemens.com/WW/CAXorder/default.aspx?lang=en&mfb=3SE7141-1EG10-0CA1>

Service&Support (Manuals, Certificates, Characteristics, FAQs,...)

<https://support.industry.siemens.com/cs/ww/en/ps/3SE7141-1EG10-0CA1>


Image database (product images, 2D dimension drawings, 3D models, device circuit diagrams, EPLAN macros, ...)

[http://www.automation.siemens.com/bilddb/cax\\_de.aspx?mfb=3SE7141-1EG10-0CA1&lang=en](http://www.automation.siemens.com/bilddb/cax_de.aspx?mfb=3SE7141-1EG10-0CA1&lang=en)



 Verriegelung / Locking

 Betätigungsrichtung / Travel

 Mittelstellung / Middle position

 Seilriss / Rope rip

 Schaltglied geschlossen / Contact element closed

 Schaltglied geöffnet / Contact element open

last modified:

1/12/2022 

