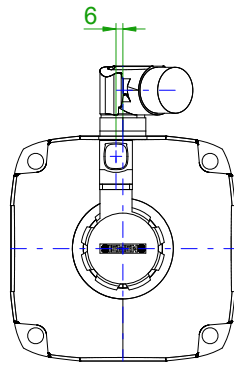
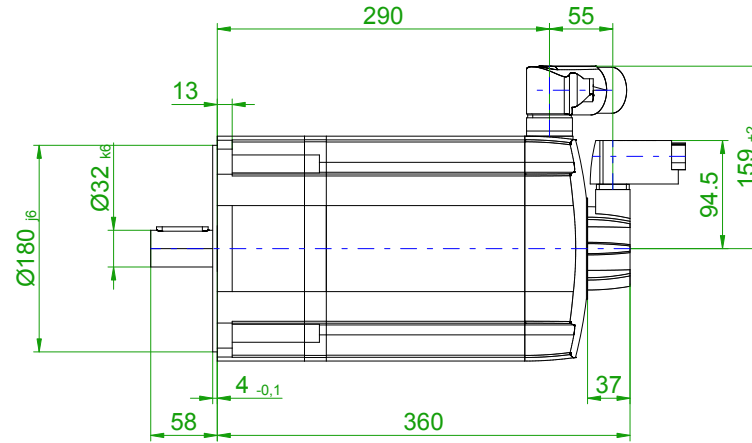
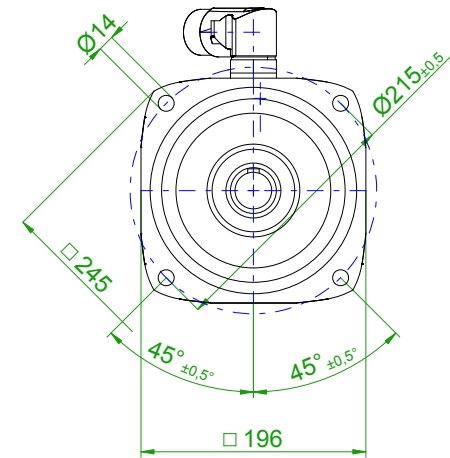


back view



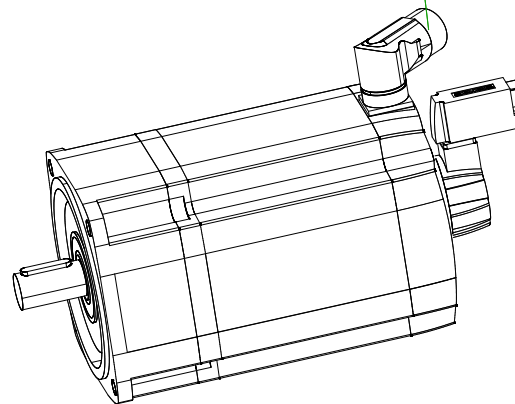
front view

center hole
DIN 332-DR M12

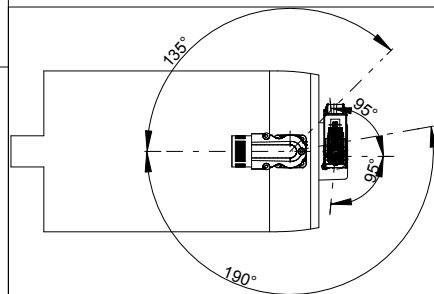
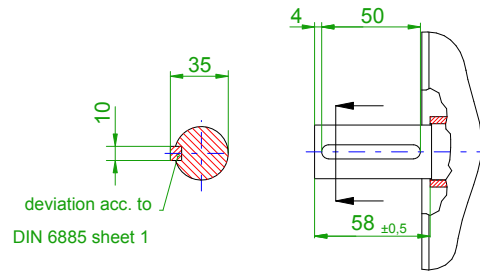


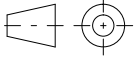
6-pole plug size 1.5
for power and brake

10-pole
signal plug



version with featherkey



		SIEMENS	
Einheit / unit: mm	Synchron-Servomotor Synchronous Servo Motor:	1FT7105-5AF71-1FB1-Z	
nicht tolerierte Maße / not toleranced dimensions:	Optionen / options:	N05	
	Gewicht / mass:	50.4 kg	
Maßstab / scale: ohne / without	Bemerkung / notice:		
CAD CREATOR 2.2 (WWW-Version V02.20.00.00)	Druckdatum / print date:	13.02.2020	