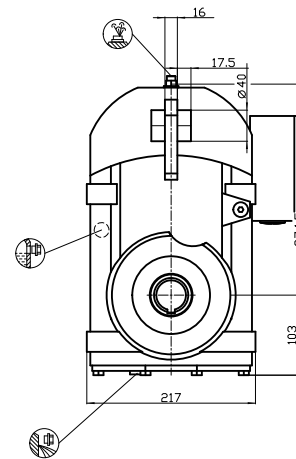
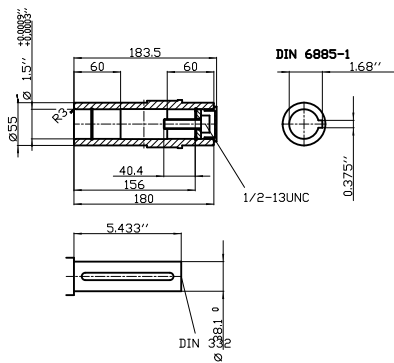
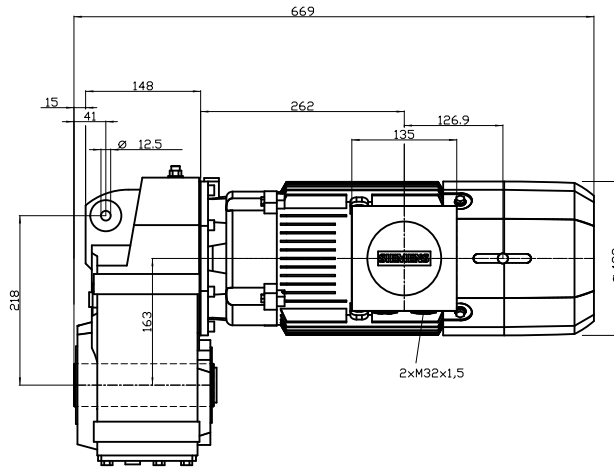
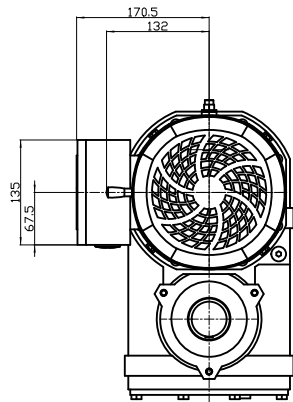
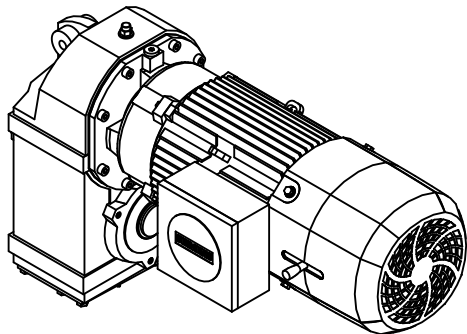


Confie o libre de secret d'entreprise. Tous droits reserves.
 Confinado como secreto industrial. Nos reservamos todos los derechos
 Comunicado como segredo empresarial. Reservados todos os direitos

Weitergabe sowie Vervielfältigung dieser Unterlagen, Verwer-
 tung und Mitteilung ihres Inhalts nicht gestattet, soweit nicht
 ausdrücklich zugestanden. Zuwiderhandlungen verpflichten
 zu Schadensersatz. Alle Rechte vorbehalten, insbesondere fuer
 den Fall der Patenterteilung oder Gm-Eintragung.

The reproduction or use of this document or its
 contents is not permitted without express written authority.
 Offenders will be liable for damages. All rights, including rights
 created by patent grant or registration of a utility model or design,
 are reserved.

Copyright(C) Siemens AG 2005
 Cad-drawing; do not make any
 manual changes



<p>Note: Neither the function rectifier (C59/C60) nor the oil drain valve (G54/G55) can be depicted on the dimension drawing! For more information on this, see page 10/54 of the catalog</p>	
<p>SIMODGEAR FZAD79-LE100ZLSA4P-L16/8NH</p>	
<p>-</p>	
Unit	mm [in]
Date	2/5/20
<p>2KJ3305-9FN23-9DT1-Z</p>	
<p>SIEMENS AG</p>	
<p>B14+C02+C26+C47+D01+H7A+K01+K06+L02+L75+M55+N38+N4N</p>	
<p>DT</p>	