



AT SERIES PHOTOCONTROL

THERMAL, DIE-CAST ALUMINUM HOUSING, WIRE-IN

KEY FEATURES

- Tough die-cast aluminum housing
- Heavy-duty thermal bi-metal switch
- UL | CSA Listed
- 30 - 45 second time delay
- 2000 & 3000 watt ratings
- Fail mode is ON

TE Connectivity's (TE) AT Series offers a durable control in areas where photocells are vulnerable to damage. The AT Series rugged die-cast aluminum housing makes it ideal for any outdoor installation.

Controls include a heavy-duty bi-metal switch that provides a 30 - 45 second time delay. This virtually eliminates unwanted lamp cycling that could be caused by lightning, car headlights, or other sudden changes in ambient light level.

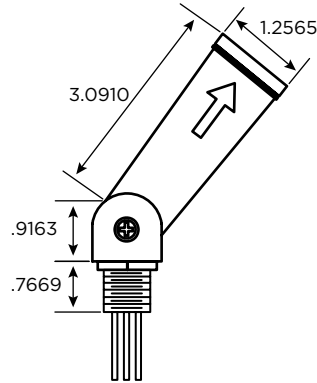
Although the Turn-On level is pre-set at the factory, each AT control is furnished with an adjustable slide bar that allows field adjustment in order to satisfy specific needs.

Common uses include billboard lighting, areas vulnerable to vandalism, commercial or industrial use, and harsh and hazardous environments.

Customers can count on consistent, high quality products, driven by TE's proven innovation and backed by our extraordinary customer support.



TE's photocontrols can be used to safely control luminaries with incandescent, HID, LED, or compact fluorescent lamps.



PRODUCT SELECTION INFORMATION						
Description	Rated Volts	Range (Volts)	Load Rating Tungsten (Watts)	Load Rating Ballast (VA)	Turn ON (Fc)	OFF/ON Ratio
AT-15	120	105 - 130	2000	1900	1.5	4 : 1
AT-168	208/240/277	185 - 305	2000	1900	1.5	4 : 1
AT-19*	480	420 - 530	2000	1900	1.5	4 : 1
AT-20	120/208/240/277	105 - 305	2000	1900	1.5	4 : 1
AT-30*	120	105 - 130	3000	2900	1.5	4 : 1
AT-368*	208/240/277	185 - 305	3000	2900	1.5	4 : 1
AT-39*	480	420 - 530	3000	2900	1.5	4 : 1

Note: 6" Lead Wires
 * Not: UL and CSA Listed

SPECIFICATION	
Physical	Enclosure: designed to meet UL 773A
	Power consumption: less than 0.9 watts at 120 VAC
Temperature	Minus 40°C to plus 65°C at 96% RH
Load Rating	2000/3000 Watt Tungsten 1900/2900 VA ballast
Light Sensor	Cadmium Sulfide Cell

TECHNICAL INFORMATION	
Switch	SPST thermal bi-metallic, Exceeds 7,500 ON/OFF operations
Fail Mode	ON (contacts normally closed)
Housing	Die-cast aluminum w/ UV polycarbonate window
Lead Wires	6", #10 AWG, rated 105°C (AT-30, 368, & 39) 6", #14 AWG, rated 105°C (all other models)
Nipple	1/2" pipe
Nut	1/2" pipe, zinc die-cast



te.com/energy

©2008, 2012, 2014 TE Connectivity Ltd. family of companies. All Rights Reserved. 9-1773453-1 E333 10/2014

TE Connectivity and TE connectivity (logo) are trademarks. Other logos, product and/or company names might be trademarks of their respective owners. While TE has made every reasonable effort to ensure the accuracy of the information in this brochure, TE does not guarantee that it is error-free, nor does TE make any other representation, warranty or guarantee that the information is accurate, correct, reliable or current. TE reserves the right to make any adjustments to the information contained herein at any time without notice. TE expressly disclaims all implied warranties regarding the information contained herein, including, but not limited to, any implied warranties of merchantability or fitness for a particular purpose. The dimensions in this catalog are for reference purposes only and are subject to change without notice. Specifications are subject to change without notice. Consult TE for the latest dimensions and design specifications.

FOR MORE INFORMATION: TE Technical Support Centers

- USA: + 1 800 327 6996
- France: + 33 380 583 200
- UK: + 44 0870 870 7500
- Germany: + 49 896 089 903
- Spain: + 34 916 630 400
- Benelux: + 32 16 351 731
- Canada: + 1 (905) 475-6222
- Mexico: + 52 (0) 55-1106-0800
- Latin/S. America: + 54 (0) 11-4733-2200
- China: + 86 (0) 400-820-6015