

Weatherproof Metallic Boxes

Universal Boxes and Covers

Applications:

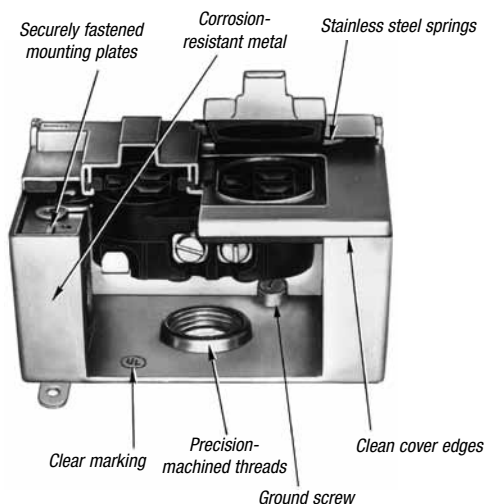
- Dry-tite™ boxes and covers protect wiring devices, switches, electronic components and terminal blocks in dry, damp and wet locations
- Accessible wiring chamber provides a convenient location to maintain or change a system, pull conductors and make splices
- Junction box for branch conduits

Features/Benefits:

- Alloy A380 aluminum, certified zinc alloy and stainless steel springs provide increased corrosion resistance
- Die-cast construction and industrial design combine to produce a rugged protective enclosure for devices on many applications
- Clean cover edges provide good gasket sealing
- Precision-cast and machined surfaces permit safer wire pulling
- Clear UL and cubic content markings speed approval by inspectors
- Convenient mounting lugs for a variety of mounting methods
- Securely fastened mounting plates reduce costly call backs

Standard Materials:

- Boxes: Die-cast aluminum alloy A380
- Cover Plates: Stamped aluminum alloy or certified die-cast zinc alloy ZAMAK 3
- Cover Lids: Certified die-cast zinc alloy ZAMAK 3



Standard Finish:

- Powder-coated finish

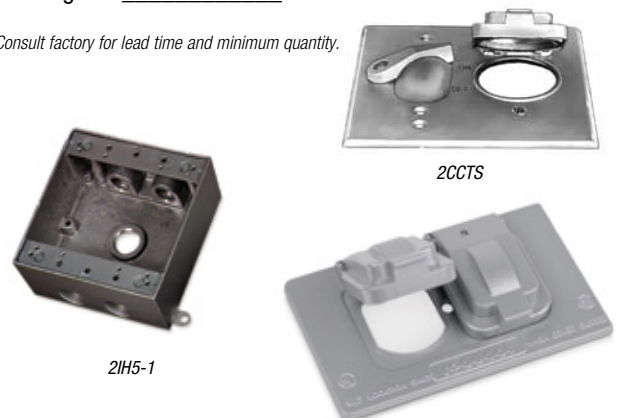
Compliances:

- UL® Listed (UL File No. E-2969)
- Boxes: CSA Certified with factory installed ground screw**
- Covers: CSA Certified
- Covers suitable for use in wet locations with covers closed
- CCB and CCT series covers suitable for use in wet locations
- Federal Spec. W-C-586
- NEMA 3R Rated

Sample Specifications:

- Universal device boxes and covers shall be of aluminum alloy A380 and certified zinc alloy. All conduit stops shall be free of rough edges. Covers shall have stainless steel springs. Covers shall be finished with powder-coated paint. Universal device boxes and covers shall be Red•Dot® Catalog No. _____

** Consult factory for lead time and minimum quantity.



Accessible wiring chamber provides a convenient location to pull conductors and make splices in dry, damp or wet locations.

- Maximum cubic capacity
- Securely fastened mounting plates
- Corrosion-resistant materials
- Powder-coated finish
- Ground screw included
- Precision-machined threads
- Clear UL and cubic volume marking



Weatherproof Metallic Boxes

Single-Gang

CAT. NO.	HUB SIZE (IN.)	COLOR	OUTLETS	
Three Outlets				
IH3-1	½	Silver	Top	1
IH3-2	¾	Silver	Bottom	1
IH3-1-LM•	½	Silver	Back	1
IH3-2-LM•	¾	Silver		TOTAL 3
D-PAK®				
DIH3-1-LM•	½	Silver		
DIH3-1-LM-BR•	½	Bronze		
DIH3-1-LM-WH•	½	White		
DIH3-2-LM•	¾	Silver		
DIH3-3-LM	1	Silver		

CAT. NO.	HUB SIZE (IN.)	COLOR	OUTLETS	
Four Outlets				
IH4-1	½	Silver	Top	2
IH4-2	¾	Silver	Bottom	1
IH4-1-LM•	½	Silver	Back	1
IH4-2-LM•	¾	Silver		TOTAL 4
D-PAK®				
DIH4-1-LM•	½	Silver		
DIH4-1-LM-BR•	½	Bronze		
DIH4-1-LM-WH•	½	White		
DIH4-2-LM•	¾	Silver		

CAT. NO.	HUB SIZE (IN.)	COLOR	OUTLETS	
Five Outlets				
IH5-1	½	Silver	Top	2
IH5-2	¾	Silver	Bottom	2
IH5-1-LM•	½	Silver	Back	1
IH5-2-LM•	¾	Silver		TOTAL 5
D-PAK®				
DIH5-1-LM•	½	Silver		
DIH5-2-LM•	¾	Silver		

CAT. NO.	HUB SIZE (IN.)	COLOR	OUTLETS	
Five Outlets (2-Side)				
IH5S2-1•	½	Silver	Top	1
IH5S2-2•	¾	Silver	Bottom	1
			Side	1
			Side	1
			Back	1
			TOTAL 5	

CAT. NO.	HUB SIZE (IN.)	COLOR	OUTLETS	
Six Outlets (3-Side)				
IH6S2-1•	½	Silver	Top	1
IH6S2-2•	¾	Silver	Bottom	1
			Side	2
			Side	1
			Back	1
			TOTAL 6	

Note: Raintight when used with appropriate Red•Dot® covers. Boxes supplied with 2 closure plugs and ground screw.
• With mounting lugs

Two-Gang

CAT. NO.	HUB SIZE (IN.)	OUTLETS	
Three Outlets			
2IH3-1•	½	Top	1
2IH3-2•	¾	Bottom	1
		Back	1
		TOTAL 3	
D-PAK®			
D2IH3-1	½		

CAT. NO.	HUB SIZE (IN.)	OUTLETS	
Four Outlets			
2IH4-1•	½	Top	2
2IH4-2•	¾	Bottom	1
		Back	1
		TOTAL 4	

CAT. NO.	HUB SIZE (IN.)	OUTLETS	
Five Outlets			
2IH5-1•	½	Top	2
2IH5-2•	¾	Bottom	2
		Back	1
		TOTAL 5	

CAT. NO.	HUB SIZE (IN.)	OUTLETS	
Five Outlets (2-Side)			
2IH5S2-1•	½	Top	1
2IH5S2-2•	¾	Bottom	1
		Side	1
		Side	1
		Back	1
		TOTAL 5	

CAT. NO.	HUB SIZE (IN.)	OUTLETS	
Seven Outlets			
2IH7-1•	½	Top	3
2IH7-2•	¾	Bottom	3
		Back	1
		TOTAL 7	

CAT. NO.	HUB SIZE (IN.)	OUTLETS	
Seven Outlets (2-Side)			
2IH7S2-1•	½	Top	2
2IH7S2-2•	¾	Bottom	2
		Side	1
		Side	1
		Back	1
		TOTAL 7	

Note: Raintight when used with appropriate Red•Dot® covers. Boxes supplied with 2 closure plugs and ground screw.
• With mounting lugs

Boxes & Covers — Red•Dot® Weatherproof

Weatherproof Metallic Boxes

Deep Boxes — Single- and Multi-Gang

CAT. NO.	HUB SIZE (IN.)	OUTLETS	
Three Outlets			
IHD3-1•	½	Top	1
IHD3-2•	¾	Bottom	1
IHD3-3•	1	Back	1
TOTAL			3



Four Outlets

IHD4-1•	½	Top	2
IHD4-2•	¾	Bottom	1
		Back	1
TOTAL			4



Two-Gang Five Outlets

2IHD5-1•	½	Top	2
2IHD5-2•	¾		
2IHD5-3•	1	Bottom	2
		Back	1
TOTAL			5



Three-Gang Seven Outlets

3IHD7-2•	¾	Top	3
3IHD7-3•	1	Bottom	3
		Back	1
TOTAL			7



Close-Up Plugs — Zinc

CAT. NO.	COLOR	HUB SIZE (IN.)
PLG-1-RD	Silver	½
PLG-2-RD	Silver	¾
PLG-3-RD	Silver	1

D-PAK®

CAT. NO.	COLOR	HUB SIZE (IN.)
DPLG-1	Silver	½
DPLG-1-BR	Bronze	½
DPLG-1-WH	White	½
DPLG-2	Silver	¾



Extensions — Single-Gang

CAT. NO.	HUB SIZE (IN.)	OUTLETS	DESCRIPTION
No Outlets — 1" Deep			
IHE	N/A	0	Extension Ring for One-Gang Box with Gasket and Screws



Four Outlets — 1½" Deep

IHE4-1	1/2	Top	2	4-Hole Extension Ring for One-Gang Box with 4 Plugs, Gasket and Screws
		Bottom	2	
TOTAL			4	



Two Outlets, Flanged — 1½" Deep Add-On

IHEF2-1	½	Top	1	2-Hole Flanged Box Extension Adapter with 1 Plug Gasket and Screws
		Bottom	1	
IHEF2-2	¾			
TOTAL			2	



Six Outlets, Flanged — 1½" Deep Add-On

IHEF6S2-1	½	Top	2	6-Hole Flanged Box Extension Adapter with 4 Plugs, Gasket and Screws
		Bottom	2	
IHEF6S2-2	¾	Side	1	
		Side	1	
TOTAL			6	



Extensions — Two-Gang

CAT. NO.	HUB SIZE (IN.)	OUTLETS	DESCRIPTION
Deep			
2IHE	N/A	0	Extension Ring for Two-Gang Boxes with Gasket and Screws



Extensions — Round

CAT. NO.	HUB SIZE (IN.)	OUTLETS	DESCRIPTION
Four Outlets — 1½" Deep			
SE-47	½	4	Round Extension with Gasket and Screws
SE-48	¾	4	



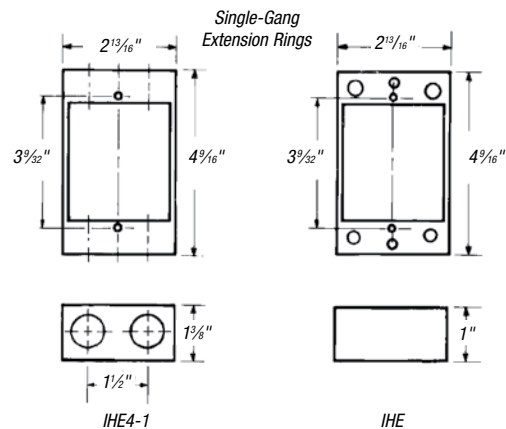
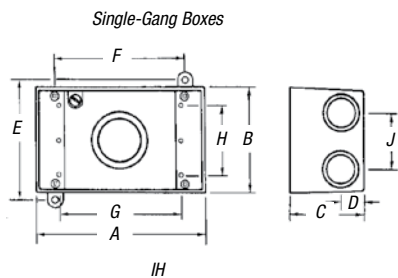
Mounting Lugs

CAT. NO.	DESCRIPTION
LM	2 Mounting Lugs with Self-Tapping Screws, for LM Boxes Only



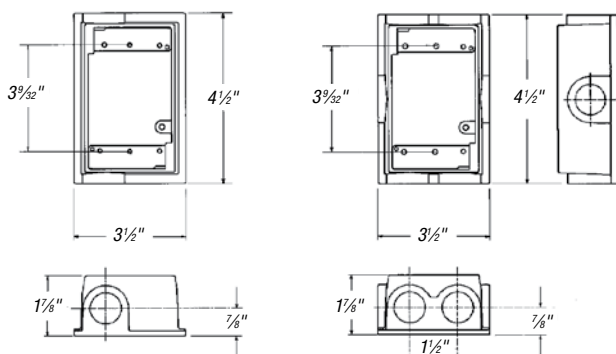
Weatherproof Metallic Boxes

Single-Gang Boxes



Two-Hole Flanged Box Extension Adapter

Six-Hole Flanged Box Extension Adapter

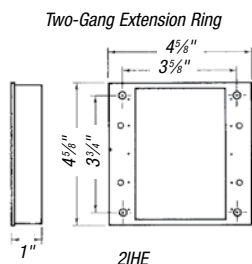
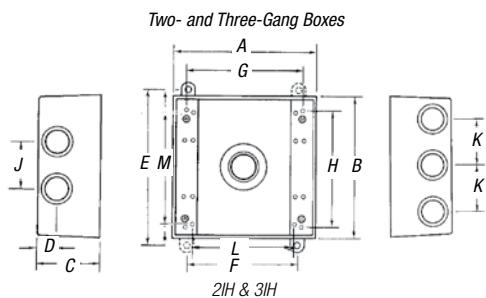


IHEF2 (Add-On)

IHEF6S2 (Add-On)

CAT. NO.	HUB SIZE	DIMENSIONS (IN.)									
		A	B	C	D	E	F	G	H	J	CI
IH-1	1/2	4 9/16	2 13/16	2	5/8	—	—	3/4	1 1/8	1 1/2	17.3
IH-2	3/4	4 9/16	2 13/16	2	5/8	—	—	3/4	1 1/8	1 1/2	17.0
IH-LM-1	1/2	4 9/16	2 13/16	2	5/8	3 13/16	3 1/2	3/4	1 1/8	1 1/2	17.3
IH-LM-2	3/4	4 9/16	2 13/16	2	5/8	3 13/16	3 1/2	3/4	1 1/8	1 1/2	17.0
IH-S-1	1/2	4 9/16	2 13/16	2	5/8	3 13/16	3 1/2	3/4	1 1/8	1 1/2	17.0
IH-S-2	3/4	4 9/16	2 13/16	2	5/8	3 13/16	3 1/2	3/4	1 1/8	1 1/2	17.0
IHD-1	1/2	4 9/16	2 13/16	2 5/8	5/8	3 13/16	3 1/2	3/4	1 1/8	1 1/2	24.8
IHD-2	3/4	4 9/16	2 13/16	2 5/8	5/8	3 13/16	3 1/2	3/4	1 1/8	1 1/2	24.8
IHD-3	1	4 9/16	2 13/16	2 5/8	3/4	3 13/16	3 1/2	3/4	1 1/8	1 1/2	23.5

Two- and Three-Gang Boxes



CAT. NO.	DIMENSIONS (IN.)												
	A	B	C	D	E	F	G	H	J	K	L	M	CI
2IH3	4 9/16	4 5/8	2 1/16	5/8	5	3 1/2	3 17/32	3 3/4	—	—	3/4	3 9/16	31.8
2IH4	4 9/16	4 5/8	2 1/16	5/8	5	3 1/2	3 17/32	3 3/4	1 1/2	—	3/4	3 9/16	31.8
2IH5	4 9/16	4 5/8	2 1/16	5/8	5	3 1/2	3 17/32	3 3/4	1 1/2	—	3/4	3 9/16	31.8
2IH5S2	4 9/16	4 5/8	2 1/16	5/8	5	3 1/2	3 17/32	3 3/4	—	—	3/4	3 9/16	31.8
2IH7	4 9/16	4 5/8	2 1/16	5/8	5	3 1/2	3 17/32	3 3/4	—	1 1/2	3/4	3 9/16	30.3
2IH7S2	4 9/16	4 5/8	2 1/16	5/8	5	3 1/2	3 17/32	3 3/4	1 1/2	—	3/4	3 9/16	32.0
2IHD5	4 9/16	4 5/8	2 17/32	3/4	5	3 1/2	3 17/32	3 3/4	1 3/16	—	3/4	3 9/16	40.3
3IHD7	4 9/16	6 1/16	2 17/32	1 3/16	6 13/16	3 1/2	3 1/4	5 5/8	—	1 3/16	3/4	3 9/16	54.8