

## Device Boxes and Covers

### Cast Device Boxes

#### Application

- Accommodate wiring devices
- Act as pull boxes for conductors in a threaded rigid conduit system, including an internal ground screw
- Provide openings to make splices and taps in conductors
- Provide access to conductors for maintenance and future system changes
- Connect conduit sections

#### Features

- All hubs have NPT Threads with a minimum of five full threads and integral bushing. Internal grounding screw standard on boxes
- Suitable for wet locations when used with gasketed covers
- Available in shallow (FS) or deep (FD) boxes. Use FD if device to be enclosed exceeds 1 5/8" in depth
- Use blank bodies where special arrangements of conduit hubs or entrances are required
- All cover holes are #6-32
- Mounting lugs are standard on all FS and FD boxes

#### Size Range

Hubs: 1/2" to 1" NPT

#### Materials

Boxes: Class 30 gray iron alloy

Covers: Sand cast aluminum alloy and sheet steel

Gaskets: Neoprene

#### Finish

Zinc-plated with aluminum acrylic paint

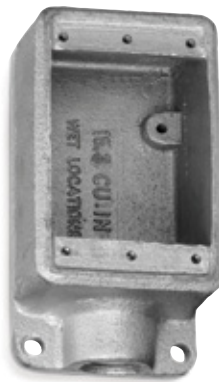
#### Listings/Compliances

UL 514A (wet locations when used with gasketed covers)

CSA C22.2 No.18



Dead-End



Dead-End



Thru-Feed

## Device Boxes and Covers

### Single-Gang Cast Device Boxes

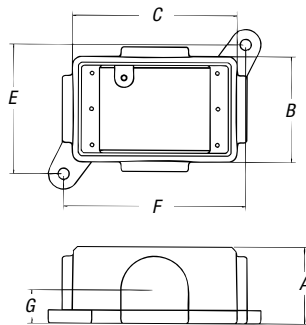


Fig. A Dead-End

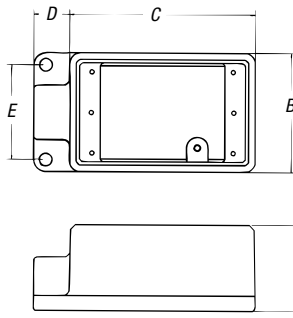


Fig. B Dead-End

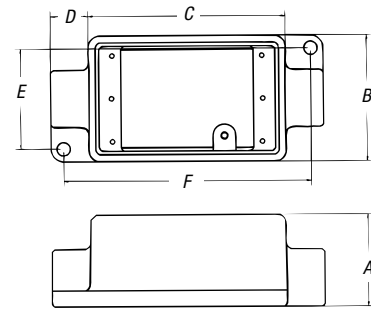


Fig. C Thru-Feed

#### Shallow Single-Gang Cast Device Boxes



CAT. NO.	FIG.	HUB SIZE	DIMENSIONS (IN.)							THROAT DIA.	
			A	B	C	D	E	F	G	MIN.	MAX.
<i>Dead-End</i>											
FS019-TB	A	Blank	2.00	2.75	4.28	—	3.38	4.72	.88	N/A	N/A
FS1-TB	B	½"	2.00	2.75	4.28	.88	2.19	—	—	.570	.610
FS2-TB	B	¾"	2.00	2.75	4.28	.88	2.19	—	—	.755	.810
FS3-TB	B	1"	2.00	2.75	4.28	.88	2.19	—	—	.935	1.035
<i>Thru-Feed</i>											
FSC1-TB	C	½"	2.00	2.75	4.28	.88	2.19	5.38	—	.570	.610
FSC2-TB	C	¾"	2.00	2.75	4.28	.88	2.19	5.38	—	.755	.810
FSC3-TB	C	1"	2.00	2.75	4.28	.88	2.19	5.38	—	.935	1.035

#### Deep Single-Gang Cast Device Boxes



CAT. NO.	FIG.	HUB SIZE	DIMENSIONS (IN.)							THROAT DIA.	
			A	B	C	D	E	F	G	MIN.	MAX.
<i>Dead-End</i>											
FD019-TB	A	Blank	2.81	2.75	4.28	—	3.38	4.72	1.38	N/A	N/A
FD1-TB	B	½"	2.81	2.75	4.28	.88	2.19	—	—	.570	.610
FD2-TB	B	¾"	2.81	2.75	4.28	.88	2.19	—	—	.755	.810
FD3-TB	B	1"	2.81	2.75	4.28	.88	2.19	—	—	.935	1.035
<i>Thru-Feed</i>											
FDC1-TB	C	½"	2.81	2.75	4.28	.88	2.19	5.38	—	.570	.610
FDC2-TB	C	¾"	2.81	2.75	4.28	.88	2.19	5.38	—	.755	.810
FDC3-TB	C	1"	2.81	2.75	4.28	.88	2.19	5.38	—	.935	1.035