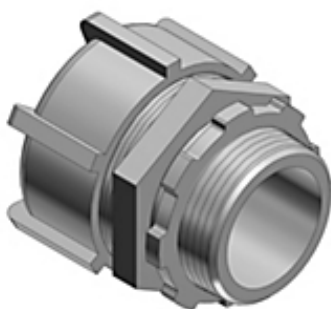




Actual



Representative

**Catalog Number:** 5232  
**Product ID:** 7TAD012100R0001  
**UPC Number:** 78621005232  
**EAN Number:** 05414363142713  
**Status:** Active

Liquidtight Conduit Fitting, Straight, Steel, 1/2 Inch, Non-Insulated Steel

- Ability to install quickly with low torque effort
- To positively bond conduit to box or enclosure.

### Header

3D Model Available on Website

### North American Specifications (UNSPSC)

UNSPSC	39121420 Liquid tight connectors
IGCC	4585 Liquid tight connectors
Brand Name	T&B
Type	Connectors-Straight
Application	Used where flexible metal raceway is installed in outdoor or indoor locations where exposed to continuous or intermittent moisture.
Standard	UL E23018, CSA
Size	1/2 Inch
Material	Steel
Finish	Electro Zinc Plated/Chromate Coating

### European Specifications (ETIM)

ETIM	EC001180 Screw connection for protective metallic hose
Nominal size in inch	1/2 inch
Model	Straight
Revolving thread	N
Construction type	External thread
Connection type screw connection to housing	Thread
Thread type	NPT
Thread connection size	Other
One-piece	N
Material housing	Steel
Approved in combination with protective conduit CSA	Y
Approved in combination with protective conduit UL	Y

### Packaging

Inner Quantity	25
Inner Dimensions (inches)	6x4.5x4
Outer Quantity	100
Outer Dimensions (inches)	9.56x8.63x6.31
Weight Uom	16 lbs. per 100

### Documents / Support Tools

Technical Data Sheet CA	Available on Website
Technical Data Sheet Global	wsd-001535

For further technical assistance, please contact us...

Thomas & Betts - USA  
8155 T&B Blvd.  
Memphis, TN 38125  
[www.tnb.com](http://www.tnb.com)

T&B Technical Support  
MS 3B-50  
8155 T&B Blvd.  
Memphis, TN 38125

Hours: 7AM - 6PM CDT  
Monday-Friday  
Phone: (888) 862-3289  
Fax: (901) 252-1321  
Email: [techsupport@tnb.com](mailto:techsupport@tnb.com)