

CATALOG NO	VOLTAGE	NEC MOTOR HP	NEC MOTOR CURRENT	WATTS LOSS	APPROX WT-LBS	TORQUE (LB-IN)
KDRF2L	480	50	65	114	25	SEE NOTE

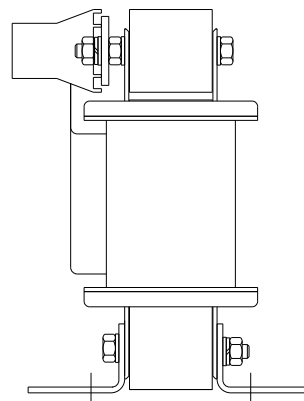
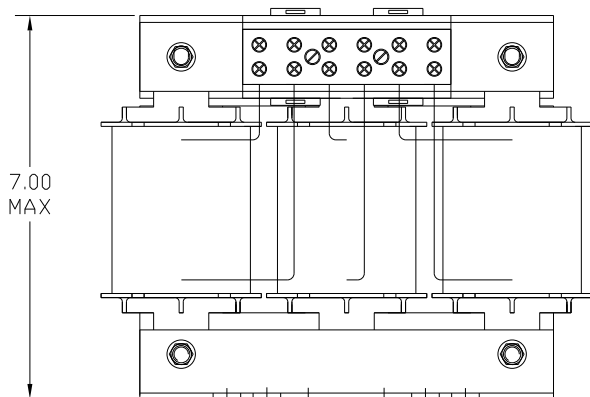
TCI Performance and Protection for Drives.

TRANS-COIL, INC
MILWAUKEE WI
WWW.transcoil.com
800-824-8282

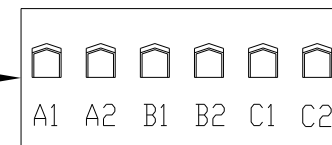
KDR Drive Reactor
CATALOG# Motor Amps ---
3PH, 60Hz, 600V Max, --- A Max.
40C Amb Max, 115C Rise

UL[®] US SA[®] CE

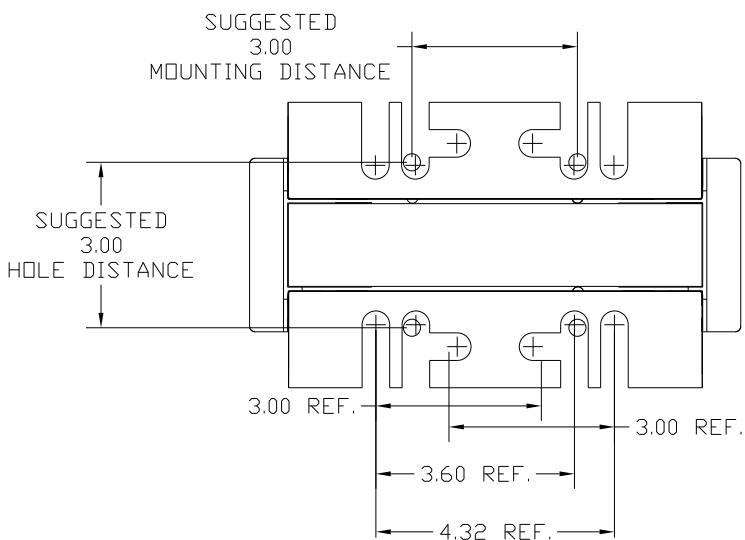
A1 A2 B1 B2 C1 C2



NOTE: TORQUE (LB-IN) = CUSTOMER WIRE SIZE
 35 = # 1 AWG THRU # 4 AWG
 30 = # 6 AWG THRU #14 AWG
 25 = #16 AWG THRU #20 AWG
 20 = #22 AWG



NOTE: A1, A2, B1, B2, C1, C2, MARKINGS ON TERMINAL BLOCK FOR REFERENCE ONLY.



				TOLERANCES (EXCEPT AS NOTED)		TCI 7878 N. 86th STREET MILWAUKEE, WI 53224	
				DECIMAL		KDR DRIVE REACTOR	
				.XX ± .03		480V LOW Z, FRAME F	
				XXX ± .01		DRN. BY DSW DATE 05/08/01 DWG. NO. B KDRF2LDG	
B ADD MARKING NOTE				11/21/06	DSW	SCALE	
A 2235, MOUNTING CHG				09/15/03	DSW	APRVD 05/08/01	
NO REVISION				DATE	BY	SHT. 1 OF 1	