

MECHANICAL HYGROSTAT



INDUSTRY STANDARDS

cURus; File No. E164102

CE

APPLICATION

The Mechanical Hygrostat controls relative air humidity inside an enclosure to prevent condensation and corrosion that can damage components. It can also be connected to an enclosure heater, cooling fans, warning lights or other devices. The critical relative humidity (RH) level for most components is 65 percent. Above 65 percent RH, condensation can form and cause electrical equipment to malfunction.

FEATURES

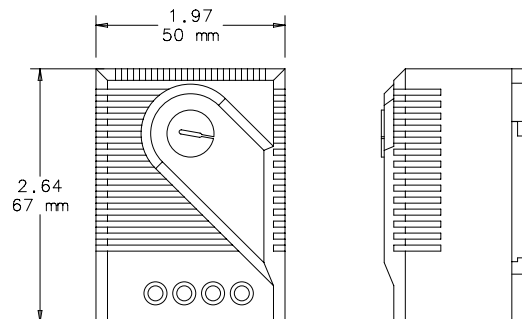
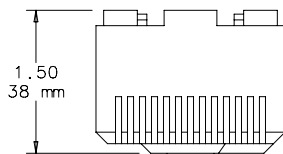
- Adjustable relative humidity range
- High switching capacity
- Long service life (>100,000 cycles)
- Maximum permissible air velocity of 50 ft./sec. (15 m/s)
- Maximum switching voltage = 250 VAC
250 V should be switched only in a non-condensing environment
- Change-over contact
- Mounting clip for 35-mm DIN rail
- Connection: 3-pole terminal for AWG 14 max. (2.5-mm squared)
- Contact resistance less than 10 mΩ

FINISH

- Light-gray plastic, UL94V-0

Performance Data Mechanical Hygrostat

| CATALOG NUMBERS | | AMHUM |
|--|--|---|
| ELECTRICAL DATA | | |
| Switching Capacity (Minimum) | | 100mA @ AC/DC 20 V |
| Switching Capacity (Maximum) | | 5A @ AC 250 V (resistive load) 0.2A @ AC 250 V (inductive load at cos 0 = 0.8) DC 20W |
| Operating Temperature (Adjustable) [°F/°C] | | 32/0 to 140/60 |
| Storage Temperature [°F/°C] | | -40/-40 to 140/60 |
| UNIT CONSTRUCTION | | |
| Unit Dimensions - H x W x D (in./mm) | | 2.64 x 1.97 x 1.50/67 x 50 x 38 |
| Weight (oz/g) | | 2.00/60 |



87921430