



115/230 Volt  
100/200 Watt



115/230 Volt  
400/800 Watt



115/230 Volt  
1300 Watt

**INDUSTRY STANDARDS**

UL 508A Component Recognized; File No. E61997

CSA Certified, CSA File No. LR42186  
CE

**APPLICATION**

Protect mechanical, electrical and electronic equipment from low temperatures, condensation and corrosion with this thermostatically controlled, fan-driven heater that maintains a stable enclosure temperature. Fan draws cool air from the bottom of the enclosure and passes this air across the thermostat and heating element before being released into enclosure cavity. Heated air is discharged through the top of the heater unit.

**SPECIFICATIONS**

- Aluminum housing
- Thermostat range adjustable from 0 F to 100 F (-18 C to 38 C)
- Four 10-32 x self-tapping screws are included with each heater
- Ball bearing fan
- Terminal strip with clamp connector that accepts both solid and stranded wire

**FINISH**

- Brushed aluminum

**! CAUTION**

These electric heaters are not designed for use in dusty, dirty, corrosive, or hazardous locations. Portions of the heater can get hot. Adequate protection must be taken to protect people from potential burns, and to protect other components from this heat. nVent recommends this heater only be installed in a totally-enclosed metal enclosure.

**DO NOT INSTALL HEATERS ON WOOD PANELS.** Heat sensitive components should not be placed near the heater discharge area since this air can be quite warm. The clearance range defines the space that must be kept free of these components for proper and safe operation of the heater.





Performance Data 100 and 200 Watt Heaters

CATALOG NUMBERS				
	DAH1001A	DAH1002A	DAH2001A	DAH2002A
<b>ELECTRICAL DATA</b>				
<b>Rated Voltage</b>	<b>115</b>	<b>230</b>	<b>115</b>	<b>230</b>
Frequency (Hz)	50/60	50/60	50/60	50/60
Power Consumption (Watts)	100	100	200	200
Nominal Current (Amps)	0.98	0.49	1.89	0.95
<b>HEATING PERFORMANCE</b>				
<b>Watts</b>	<b>100</b>	<b>100</b>	<b>200</b>	<b>200</b>
<b>UNIT CONSTRUCTION</b>				
Weight (lb./kg)	1.6/0.73	1.6/0.73	1.6/0.73	1.6/0.73
X (in./mm)	4.00/102	4.00/102	6.00/152	6.00/152

Performance Data 400 and 800 Watt Heaters

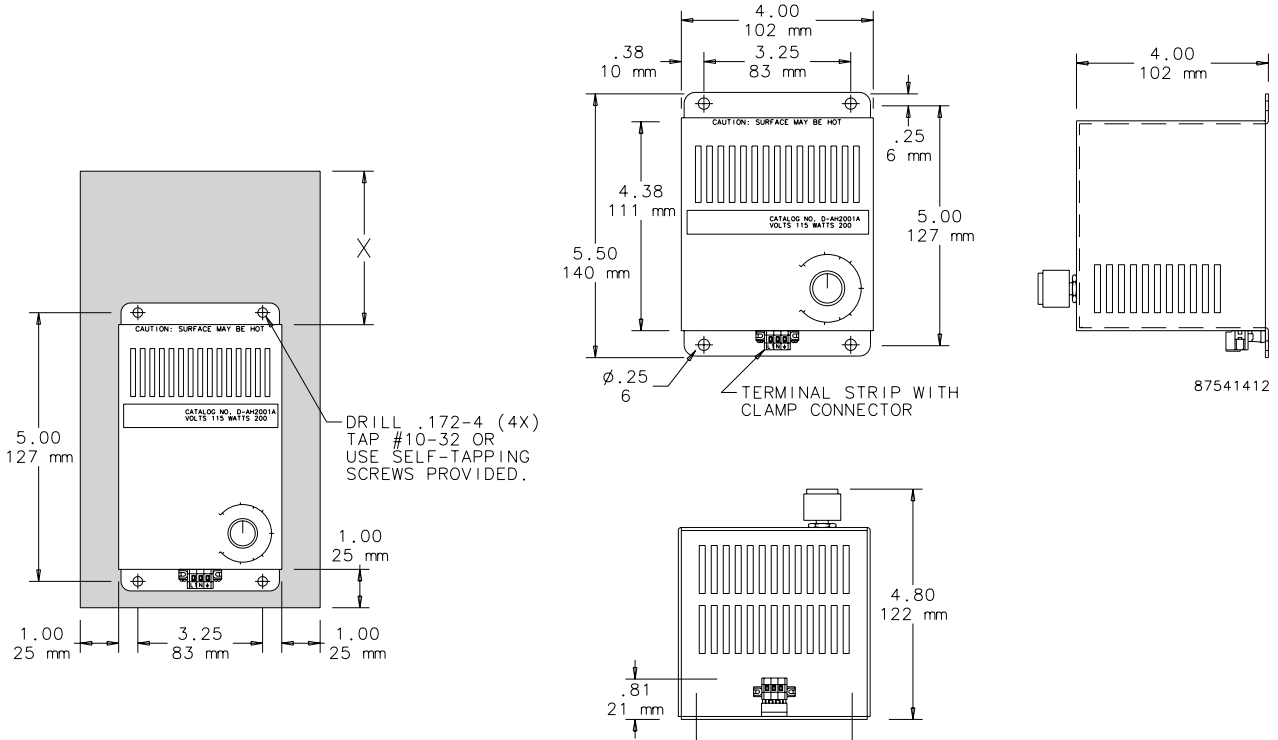
CATALOG NUMBERS				
	DAH4001B	DAH4002B	DAH8001B	DAH8002B
<b>ELECTRICAL DATA</b>				
<b>Rated Voltage</b>	<b>115</b>	<b>230</b>	<b>115</b>	<b>230</b>
Frequency (Hz)	50/60	50/60	50/60	50/60
Power Consumption (Watts)	400	400	800	800
Nominal Current (Amps)	3.72	1.86	7.37	3.69
<b>HEATING PERFORMANCE</b>				
<b>Watts</b>	<b>400</b>	<b>400</b>	<b>800</b>	<b>800</b>
<b>UNIT CONSTRUCTION</b>				
Weight (lb./kg)	2.2/1.00	2.2/1.00	2.2/1.00	2.2/1.00
X (in./mm)	6.00/152	6.00/152	8.00/203	8.00/203

Performance Data 1300 Watt Heaters

CATALOG NUMBERS		
	DAH13001C	DAH13002C
<b>ELECTRICAL DATA</b>		
<b>Rated Voltage</b>	<b>115</b>	<b>230</b>
Frequency (Hz)	50/60	50/60
Power Consumption (Watts)	1300	1300
Nominal Current (Amps)	11.5	5.7
<b>HEATING PERFORMANCE</b>		
<b>Watts</b>	<b>1300</b>	<b>1300</b>
<b>UNIT CONSTRUCTION</b>		
Weight (lb./kg)	3.4/1.54	3.4/1.54
X (in./mm)	8.00/203	8.00/203



Dimensions and Clearance Range Drawing for DAH1001A, -2A and DAH2001A, -2A



Dimensions and Clearance Range Drawing for DAH4001B, -2B and DAH8001B, -2B

