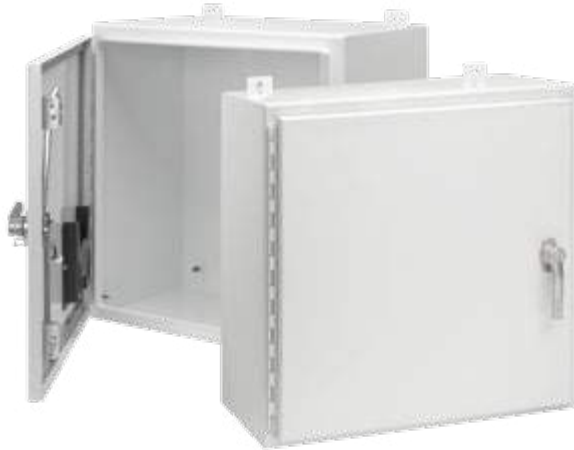


PAINTED WHITE WITH 3-POINT LATCH, TYPE 4X


2

INDUSTRY STANDARDS

UL 508A Listed; Type 3R, 4, 4X, 12; File No. E61997
 cUL Listed per CSA C22.2 No 94; Type 3R, 4, 4X, 12; File No. E61997

NEMA/EEMAC Type 3R, 4, 4X, 12, 13
 IEC 60529, IP66
 Meets NEMA Type 3RX requirements

APPLICATION

These single-door stainless steel enclosures provide industry-leading protection for housing electrical components and controls in outdoor or corrosive environments. White polyester powder reduces absorption of solar radiation, which keeps internal components cooler. Hoffman's exclusive Type 316L stainless steel small POWERGLIDE padlocking handle and internal 3-point latching combine ease of access with security.

Standard Product

Catalog Number	AxBxC in./mm	F in./mm	Steel Panel	Conductive Panel	Stainless Steel Panel	Panel Size D x E in./mm	Data Pocket
A24H2408SSLP3PTW	24.00 x 24.00 x 8.00 610 x 610 x 203	3.00 76	A24P24	A24P24G	A24P24SS6	21.00 x 21.00 533 x 533	Small
A30H2408SSLP3PTW	30.00 x 24.00 x 8.00 762 x 610 x 203	3.00 76	A30P24	A30P24G	A30P24SS6	27.00 x 21.00 686 x 533	Large
A24H2010SSLP3PTW	24.00 x 20.00 x 10.00 610 x 508 x 254	3.00 76	A24P20	A24P20G	A24P20SS6	21.00 x 17.00 533 x 432	Small
A24H2412SSLP3PTW	24.00 x 24.00 x 12.00 610 x 610 x 305	3.00 76	A24P24	A24P24G	A24P24SS6	21.00 x 21.00 533 x 533	Small
A36H3012SSLP3PTW	36.00 x 30.00 x 12.00 914 x 762 x 305	3.00 76	A36P30	A36P30G	A36P30SS6	33.00 x 27.00 838 x 686	Large
A36H3612SSLP3PTW	36.00 x 36.00 x 12.00 914 x 914 x 305	3.00 76	A36P36	A36P36G	A36P36SS6	33.00 x 33.00 838 x 838	Large
A42H3612SSLP3PTW	42.00 x 36.00 x 12.00 1067 x 914 x 305	3.00 76	A42P36	A42P36G	A42P36SS6	39.00 x 33.00 911 x 838	Large
A48H3612SSLP3PTW	48.00 x 36.00 x 12.00 1219 x 914 x 305	3.00 76	A48P36	A48P36G	A48P36SS6	45.00 x 33.00 1143 x 838	Large
A60H3612SSLP3PTW	60.00 x 36.00 x 12.00 1524 x 914 x 305	3.00 76	A60P36	A60P36G	A60P36SS6	57.00 x 33.00 1448 x 838	Large
A48H3616SSLP3PTW	48.00 x 36.00 x 16.00 1219 x 914 x 406	3.00 76	A48P36	A48P36G	A48P36SS6	45.00 x 33.00 1143 x 838	Large

Purchase panels separately. Optional stainless steel, composite and aluminum panels are available for most sizes.

Panels have a formed flange along any side longer than 21.00 in. (533 mm). Panel A24P20 has a flange on all four sides.

SPECIFICATIONS

- 14 gauge Type 304 stainless steel bodies and doors
- Seams continuously welded and ground smooth
- Type 4-rated gasket
- 90-degree external formed flange on top of body opening
- Type 316L stainless steel padlocking POWERGLIDE Handle and 3-point latching
- Door removed by pulling stainless steel continuous hinge pin
- Data pocket is high-impact thermoplastic
- Collar studs provided for mounting optional panels

FINISH

Enclosures have white polyester powder paint finish inside and out. Handle is electropolished.

ACCESSORIES

PANELITE Enclosure Lights, page 1393

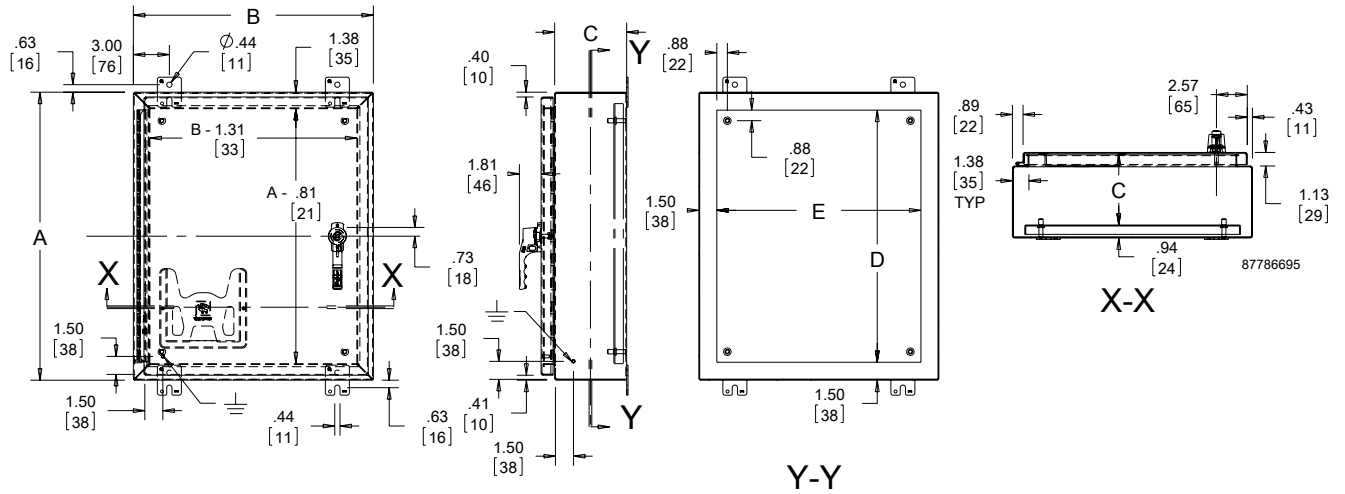
Junction Box and Wall-Mount Enclosure Swing-Out Panel Kit, page 1332

Panels for Type 3R, 4, 4X, 12 and 13 Enclosures, page 1334

MODIFICATION AND CUSTOMIZATION

Hoffman excels at modifying and customizing products to your specifications. Contact your local Hoffman sales office or distributor for complete information.

BULLETIN: A4SW3



Temperature Rise Example

Internal Enclosure Temperature above Outside Ambient

